



# 1st IHF Men's U17 Handball World Championship 2025



Preliminary Round - Group A, 2. round

Match Team Statistics

**Morocco 38 - 45 Brazil**

26.10.2025. 20:55

Match No. 8

(14 - 19) (24 - 26)

Attendance: 550

Salle Couverte Nouaceur

Referees: Lucas Hellbusch (GER) / Hideki Furukawa (JPN) / Mihaela Chiruta (ROU)

## Morocco

#	Surname and name	S	Goals / shots								Attack					Def.			Penalties			TP			
			Tot.	%	9m	6m	Wing	7m	FB	Brk.	LD	As.	PC	E7	E2	TF	St.	C7	Bik	YC	2m		R	B	
1	MOHAMED Ermali	S																							56:57
2	ZAFRI Mohamed																								2:33
3	ALOUTA Abdelmoughit		1/3	33		0/1																			13:28
4	BOUYAAKOUBY Youness																								16:13
6	GARTOUMI Houssam	S																							10:23
7	ZERHOUNI Idriss	S	0/1	0	0/1																				28:04
8	BOUCHIHA Oualid		2/3	67	1/2	1/1																			37:24
9	MOUKAFIH Oussama	S	6/7	86		5/6																	2		39:29
10	DAHANE Youssef	S																							32:02
12	KHATIR Alae Eddine																								
13	RAGUEB El Hassan		9/9	100		1/1			5/5	1/1	2/2														35:18
14	BEN AABEL Samuel		4/4	100				2/2		1/1	1/1												2		29:02
15	EL HAMMOUMI Idriss	S	11/17	65	1/4					1/1	9/12														54:11
16	MOSTAFA Harfac																								3:03
19	MOUMNI Mohamed																						1		7:26
22	MISBAH Rayane	S	5/7	71				3/5		1/1	1/1														54:27
	Team / bench																								
	<b>TOTAL</b>		<b>38/51</b>	<b>75</b>	<b>2/7</b>	<b>7/9</b>	<b>5/7</b>	<b>5/5</b>	<b>4/4</b>	<b>15/19</b>	<b>0/0</b>	<b>8</b>	<b>1</b>	<b>5</b>	<b>2</b>	<b>29</b>	<b>3</b>	<b>4</b>	<b>0</b>	<b>0</b>	<b>5</b>	<b>0</b>	<b>0</b>		

#	Surname and name	Saves / shots								
		Tot.	%	9m	6m	Wing	7m	FB	Brk.	LD
1	MOHAMED Ermali	8/48	17	4/14	0/5	2/9		1/8	1/12	
12	KHATIR Alae Eddine									
16	MOSTAFA Harfac	1/6	17			0/2	1/3		0/1	
	<b>TOTAL</b>	<b>9/54</b>	<b>17</b>	<b>4/14</b>	<b>0/5</b>	<b>2/11</b>	<b>1/3</b>	<b>1/8</b>	<b>1/13</b>	<b>0/0</b>

Coach: **Abdelmajid Zaouli**

Number of attacks: 78, Efficiency: 49%, Average Duration: 23.61 seconds

### Attack by type of defense

	Shots	9m	6m	Wing	TF	E7	E2
On def. 3-3	4/5	0/0	1/1	0/0	14	1	1
On def. press.	25/37	2/7	6/8	5/7	15	4	1
Fastbreak	4/4				0	0	0

### Defense by type

	Total	9m	6m	Wing	Stl.	C7	2m
Def. 6-0	24/33	8/10	2/3	5/9	1	4	0
Def. 5-1	12/17	2/5	3/3	4/4	2	0	0
Fastbreak	7/10				0	0	5

### Attack with superiority / minority / goalkeeper out

	Attack				Reaction		
	Att.	Eff.	Shots	TF	FB	LD	Tot.
6 on 5 (GK out)	1	0%	0/0	1	1/1	0/0	1/1
6 on 6	65	54%	35/42	23			
6 on 5	3	33%	1/2	1			
5 on 6	8	25%	2/5	3			
5 on 5	1	0%	0/0	1			

Player superiority / GK out counted at the end of attack (in case it changes during attack)

### Defense with superiority / minority / goalkeeper out

	Attack				Reaction		
	Att.	Eff.	Shots	TF	FB	LD	Tot.
6 on 6	62	55%	34/46	16			
5 on 6	4	75%	3/4	0			
6 on 5	11	64%	7/11	0			
5 on 5	1	100%	1/1	0			

Numbers show attacking numbers of opponent. Lower efficiency of opponent means better defense of this team

# Jersey number Tot. Total shooting 6m 6m (line) shooting 9m 9m shooting Wng Wing shooting FB Fastbreak sh. 7m 7m penalty sh.  
 Brk. Breakthrough sh. LD Long distance sh. As. Assists PC Pass clear chance E7 Earned 7m pen. TF Technical faults St. Steals  
 2m 2m punishments C7. Committed 7m E2 Earned 2m pun. YC. Yellow cards R/B Red/Blue cards Blk. Blocks S Starting Line-up

Handball statistics and livescore by Toma-soft ltd (www.toma-soft.hr)



# 1st IHF Men's U17 Handball World Championship 2025



Preliminary Round - Group A, 2. round

## Match Team Statistics

Match No. 8

## Morocco 38 - 45 Brazil

(14 - 19) (24 - 26)

26.10.2025. 20:55

Attendance: 550

Salle Couverte Nouaceur

Referees: Lucas Hellbusch (GER) / Hideki Furukawa (JPN) / Mihaela Chiruta (ROU)

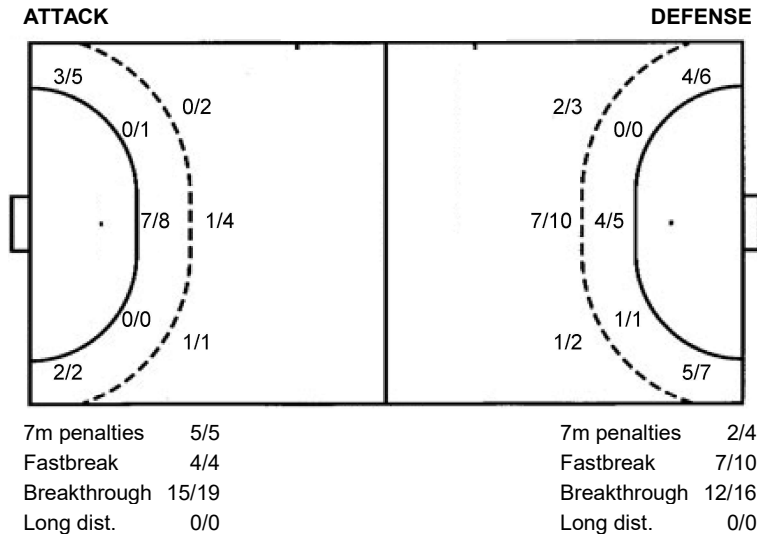
### Shot distribution by player

<b>2 M. Zafri</b> [ ] [ ] [ ] [ ] [ ] [ ] [ ] [ ] [ ]	<b>3 A. Alouta</b> [ ] [ ] [ ] [ ] [ ] [ ] [ ] [ ] [ ] 1 post	<b>4 Y. Bouyaakouby</b> [ ] [ ] [ ] [ ] [ ] [ ] [ ] [ ] [ ]	<b>6 H. Gartoumi</b> [ ] [ ] [ ] [ ] [ ] [ ] [ ] [ ] [ ]	<b>7 I. Zerhouni</b> [ ] [ ] [ ] [ ] [ ] [ ] [ ] [ ] [ ] 1 block	<b>8 O. Bouchiha</b> [ ] [ ] [ ] [ ] [ ] [ ] [ ] [ ] [ ] 1 miss. 2/2	<b>9 O. Moukafih</b> [ ] [ ] [ ] [ ] [ ] [ ] [ ] [ ] [ ] 0/1 2/2 1/1 2/2 1/1
<b>10 Y. Dahane</b> [ ] [ ] [ ] [ ] [ ] [ ] [ ] [ ] [ ]	<b>13 E. Ragueb</b> [ ] [ ] [ ] [ ] [ ] [ ] [ ] [ ] [ ] 1/1 1/1 1/1 2/2 4/4	<b>14 S. Ben Aabel</b> [ ] [ ] [ ] [ ] [ ] [ ] [ ] [ ] [ ] 2/2 1/1 lob	<b>15 I. El Hammoumi</b> [ ] [ ] [ ] [ ] [ ] [ ] [ ] [ ] [ ] 1/1 1/1 2/2 2/3 0/2 1/1 3/3 3 miss. 1/1 lob	<b>19 M. Moumni</b> [ ] [ ] [ ] [ ] [ ] [ ] [ ] [ ] [ ]	<b>22 R. Misbah</b> [ ] [ ] [ ] [ ] [ ] [ ] [ ] [ ] [ ] 0/1 1/1 1/1 1/1 2/2 1 post	<b>TOTAL</b> [ ] [ ] [ ] [ ] [ ] [ ] [ ] [ ] [ ] 2/2 1/1 3/4 3/4 1/4 6/7 3/3 6/6 11/11 2 post 4 miss. 1 block 2/2 lob

### Saves distribution goalkeepers

<b>1 E. Mohamed</b> [ ] [ ] [ ] [ ] [ ] [ ] [ ] [ ] [ ] 0/1 0/1 1/3 2/8 3/4 2/14 0/4 0/3 0/8	<b>12 A. Khatir</b> [ ] [ ] [ ] [ ] [ ] [ ] [ ] [ ] [ ]	<b>16 H. Mostafa</b> [ ] [ ] [ ] [ ] [ ] [ ] [ ] [ ] [ ] 0/1 0/1 1/1 0/1 0/1 0/1 0/1	<b>TOTAL</b> [ ] [ ] [ ] [ ] [ ] [ ] [ ] [ ] [ ] 0/2 0/1 1/3 2/9 3/5 3/15 0/5 0/4 0/8
--	--	--	---

### Shots by position



### Shooting statistics

Position	Goals	Sav.	Miss.	Post	Blk.	Total	%
Back (9m)	2	2	2	0	1	7	29
Line (6m)	7	2	0	0	0	9	78
Wing	5	1	0	1	0	7	71
7m penalties	5	0	0	0	0	5	100
Fastbreak	4	0	0	0	0	4	100
Breakthrough	15	1	2	1	0	19	79
<b>Total</b>	<b>38</b>	<b>6</b>	<b>4</b>	<b>2</b>	<b>1</b>	<b>51</b>	<b>75</b>

# Jersey number Tot. Total shooting 6m 6m (line) shooting 9m 9m shooting Wng Wing shooting FB Fastbreak sh. 7m 7m penalty sh.  
 Brk. Breakthrough sh. LD Long distance sh. As. Assists PC Pass clear chance E7 Earned 7m pen. TF Technical faults St. Steals  
 2m 2m punishments C7. Committed 7m E2 Earned 2m pun. YC. Yellow cards R/B Red/Blue cards Blk. Blocks S Starting Line-up



# 1st IHF Men's U17 Handball World Championship 2025



Preliminary Round - Group A, 2. round

Match Team Statistics

## Morocco 38 - 45 Brazil

26.10.2025. 20:55

Match No. 8

(14 - 19) (24 - 26)

Attendance: 550

Salle Couverte Nouaceur

Referees: Lucas Hellbusch (GER) / Hideki Furukawa (JPN) / Mihaela Chiruta (ROU)

### Brazil

#	Surname and name	S	Goals / shots								Attack					Def.			Penalties				TP					
			Tot.	%	9m	6m	Wing	7m	FB	Brk.	LD	As.	PC	E7	E2	TF	St.	C7	Blk	YC	2m	R		B				
1	FERREIRA Gabriel	S																										31:13
6	KRISHNAN Gabriel		3/5	60			2/3		1/2						1													19:25
9	RODRIGUES Eduardo Henrique	S	8/11	73	4/6			2/3	1/1	1/1				6	2	1	2	2	1	1								53:00
14	FREITAS PEREIRA Andrey Iago	S	6/8	75	2/2			1/1		1/1	2/4			5	2			2	1	1	1				1			44:15
15	RODRIGUES Rodrigo	S	3/4	75		1/1	1/1	0/1	1/1								2											39:20
16	SILVA Riquelme																											28:47
17	MODESTO Gustavo																1		1									20:07
19	WETZEL Pedro		4/8	50			4/6		0/2										1	1								19:36
20	COSTA Arthur		0/2	0	0/2														1									4:21
23	ALVES Miguel Augusto	S	4/5	80		4/5										2	1		2	1					1			41:25
25	ANDRADE Guilherme	S	0/1	0			0/1							1					2									30:48
29	SOUSA Marcus Vinicius		1/1	100			1/1																					7:46
33	SANTOS Raphael De		4/5	80					1/1	3/4				1						1								27:18
64	LIMA Davi		6/6	100	2/2						4/4								3									15:42
80	MELO Inácio		1/2	50	1/2																							8:41
83	ALVES Augusto	S	5/6	83	1/1				2/2	2/3				1	1	1			3									27:48
	Team / bench																											
	TOTAL		45/64	70	10/15	5/6	9/13	2/4	7/10	12/16	0/0			15	5	4	3	16	6	5	1	0	2	0	0			

#	Surname and name	Saves / shots								
		Tot.	%	9m	6m	Wing	7m	FB	Brk.	LD
1	FERREIRA Gabriel	2/21	10		1/4	0/2	0/3	0/2	1/10	
16	SILVA Riquelme	4/23	17	2/4	1/5	1/4	0/2	0/2	0/6	
	TOTAL	6/44	14	2/4	2/9	1/6	0/5	1/4	1/16	0/0

Coach: Eder Cristiano Fripp De Almeida

Number of attacks: 78, Efficiency: 58%, Average Duration: 23.10 seconds

### Attack by type of defense

	Shots	9m	6m	Wing	TF	E7	E2
On def. 6-0	24/33	8/10	2/3	5/9	11	4	2
On def. 5-1	12/17	2/5	3/3	4/4	5	0	1
Fastbreak	7/10				0	0	0

### Defense by type

	Total	9m	6m	Wing	Stl.	C7	2m
Def. 3-3	4/5	0/0	1/1	0/0	3	1	0
Def. press.	25/37	2/7	6/8	5/7	3	4	0
Fastbreak	4/4				0	0	2

### Attack with superiority / minority / goalkeeper out

	Attack				Reaction		
	Att.	Eff.	Shots	TF	FB	LD	Tot.
6 on 6	62	55%	34/46	16			
5 on 6	4	75%	3/4	0			
6 on 5	11	64%	7/11	0			
5 on 5	1	100%	1/1	0			

Player superiority / GK out counted at the end of attack (in case it changes during attack)

### Defense with superiority / minority / goalkeeper out

	Attack				Reaction		
	Att.	Eff.	Shots	TF	FB	LD	Tot.
6 on 5 (GK out)	1	0%	0/0	1	1/1	0/0	1/1
6 on 6	65	54%	35/42	23			
6 on 5	3	33%	1/2	1			
5 on 6	8	25%	2/5	3			
5 on 5	1	0%	0/0	1			

Numbers show attacking numbers of opponent. Lower efficiency of opponent means better defense of this team

# Jersey number Tot. Total shooting 6m 6m (line) shooting 9m 9m shooting Wng Wing shooting FB Fastbreak sh. 7m 7m penalty sh.  
 Brk. Breakthrough sh. LD Long distance sh. As. Assists PC Pass clear chance E7 Earned 7m pen. TF Technical faults St. Steals  
 2m 2m punishments C7. Committed 7m E2 Earned 2m pun. YC. Yellow cards R/B Red/Blue cards Blk. Blocks S Starting Line-up



# 1st IHF Men's U17 Handball World Championship 2025



Preliminary Round - Group A, 2. round

## Match Team Statistics

Match No. 8

## Morocco 38 - 45 Brazil

(14 - 19) (24 - 26)

26.10.2025. 20:55

Attendance: 550

Salle Couverte Nouaceur

Referees: Lucas Hellbusch (GER) / Hideki Furukawa (JPN) / Mihaela Chiruta (ROU)

## Shot distribution by player

### 6 G. Krishnan

1/2		
		1/1

1 post 1/1 lob

### 9 E. Rodrigues

1/1		1/1
1/1	0/1	0/1
2/2	1/1	2/2

1 miss.

### 14 A. Freitas Pereira

		1/1
		3/3
1/1	1/1	

1 post 1 miss.

### 15 R. Rodrigues

1/1		1/2
		1/1

### 17 G. Modesto


### 19 P. Wetzel

1/1		0/1
2/2		1/1

3 miss.

### 20 A. Costa

0/1		

1 post

### 23 M. Alves

		2/2
	2/2	

1 miss.

### 25 G. Andrade

		0/1

### 29 M. Sousa

		1/1

### 33 R. Santos

1/1		
	1/2	1/1
		1/1

### 64 D. Lima

	1/1	
1/1		1/1
		2/2

1/1 lob

### 80 I. Melo

	0/1	1/1

### 83 A. Alves

2/2	1/1	2/2

1 post

## TOTAL

2/2	1/1	2/3
7/9	2/5	12/15
5/5	4/4	8/8

4 post 6 miss. 2/2 lob

## Saves distribution goalkeepers

### 1 G. Ferreira

0/2	0/1	0/1
1/3	1/2	0/3
0/2	0/3	0/4

### 16 R. Silva

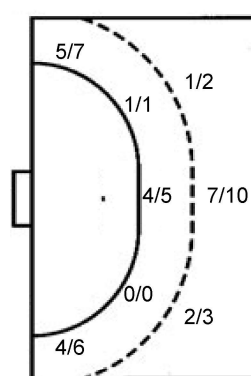
		1/3
0/1	2/2	1/4
0/1	0/3	0/7

## TOTAL

0/2	0/1	1/4
1/4	3/4	1/7
0/3	0/6	0/11

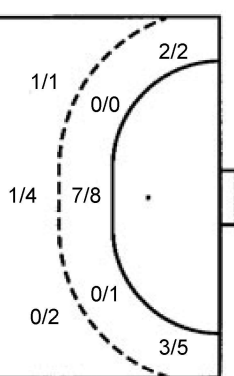
## Shots by position

### ATTACK



7m penalties 2/4  
Fastbreak 7/10  
Breakthrough 12/16  
Long dist. 0/0

### DEFENSE



7m penalties 5/5  
Fastbreak 4/4  
Breakthrough 15/19  
Long dist. 0/0

## Shooting statistics

Position	Goals	Sav.	Miss.	Post	Blk.	Total	%
Back (9m)	10	4	0	1	0	15	67
Line (6m)	5	0	1	0	0	6	83
Wing	9	2	1	1	0	13	69
7m penalties	2	1	1	0	0	4	50
Fastbreak	7	1	2	0	0	10	70
Breakthrough	12	1	1	2	0	16	75
<b>Total</b>	<b>45</b>	<b>9</b>	<b>6</b>	<b>4</b>	<b>0</b>	<b>64</b>	<b>70</b>

# Jersey number Tot. Total shooting 6m 6m (line) shooting 9m 9m shooting Wng Wing shooting FB Fastbreak sh. 7m 7m penalty sh.  
Brk. Breakthrough sh. LD Long distance sh. As. Assists PC Pass clear chance E7 Earned 7m pen. TF Technical faults St. Steals  
2m 2m punishments C7. Committed 7m E2 Earned 2m pun. YC. Yellow cards R/B Red/Blue cards Blk. Blocks S Starting Line-up

Handball statistics and livescore by Toma-soft ltd (www.toma-soft.hr)



# 1st IHF Men's U17 Handball World Championship 2025



Preliminary Round - Group A, 2. round

## Match Team Statistics

Match No. 8

## Morocco 38 - 45 Brazil

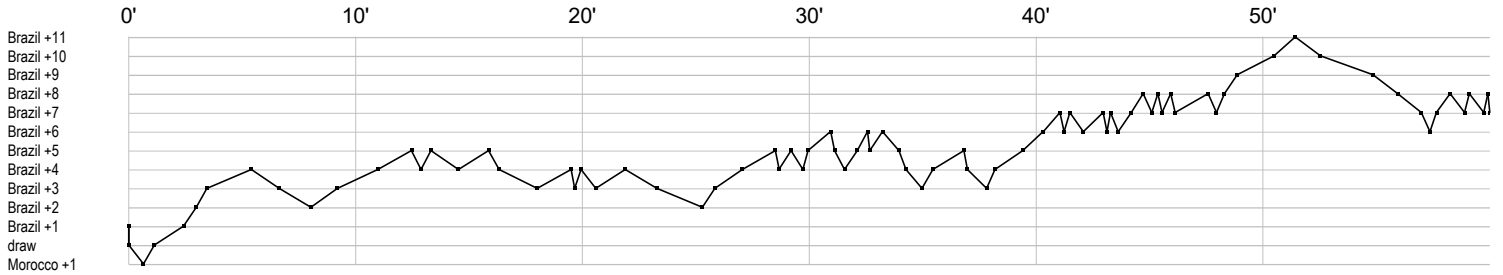
(14 - 19) (24 - 26)

26.10.2025. 20:55

Attendance: 550

Salle Couverte Nouaceur

Referees: Lucas Hellbusch (GER) / Hideki Furukawa (JPN) / Mihaela Chiruta (ROU)



### Morocco

1 Mohamed E	r r r r r r	s r	r r r s r	r r s r s r r r r r	r r r r sr r	r r	s r r r s r r r	r r s	r r r
2 Zafri M	t t							t	
3 Alouta A			e g f fit						
4 Bouyaakouby									
6 Gartoumi H									
7 Zerhouni I			t	f				t	
8 Bouchiha O			t g	a	t	e	t	fb g	
9 Moukafih O	g	g 2c	t	2	g g cf g	t t	t g t		
10 Dahane Y									
12 Khatir A									
13 Ragueb E	t at t	c eg g bg t	g		g a t	g g a		g a	
14 Ben Aabel S					g	2c	g g2	a bg	
15 El Hammoumi	g t t	g t itt f	fg g f	g ag	a tg t	g e g t f	f e g f g		
16 Mostafa H		s			r	r r r			
19 Moumni M			2						
22 Misbah R		t		p	g g t	g	f g f g		

### Brazil

1 Ferreira G	r r	r r	s r r r r r r	r	r r sr r r r r r		r		
6 Krishnan G		f f g			g	g	a		
9 Rodrigues E	g a a	ba p e f g	g	a f	g g t t a	pg c	f i	g	g
14 Freitas	g g	2	f g	gc p x p		a ba g a g a a f	t t		
15 Rodrigues R	g g	f				t g		t	
16 Silva R			r r s r r			r r r r r r r	r	s r	r s r r
17 Modesto G								c t	
19 Wetzell P		f f f				g c g bf g g			
20 Costa A								f t f	
23 Alves M		b c b	g	2	e	f i e	g g		
25 Andrade G	a	ft t							
29 Sousa M									g
33 Santos R			g				fg a	bg	g
64 Lima D			g t g g	t g g	t g				
80 Melo I					fg				
83 Alves A	g	t t a	e g p tf	g		g g			

In game	g Goal scored	f Missed shot	a Assist	t Technical faults	b Steal
2 2min suspension	e Earned 7m	c Committed 7m	y Yellow card	r Red Card	k Blue card
i Earned 2min.	x Block	4 4min suspension	p Pass for clear chance	s Saved shot	r Received goal