



24th IHF Men's Junior (U21) World Championship

Germany / Greece

Final Round, Finals



Match Team Statistics

Match No. 116

Germany 30 - 23 Hungary

(14 - 11) (16 - 12)

2.7.2023. 18:00

Attendance: 8235

Max-Schmeling Halle

Referees: Mathias Sosa (URU) / Cristian Lemes (URU)

Germany

#	Surname and name	S	Goals / shots								Attack					Def.			Penalties				TP								
			Tot.	%	9m	6m	Wing	7m	FB	Brk.	LD	As.	PC	E7	E2	TF	St.	C7	Blk	YC	2m	R		B							
1	SPÄTH David	S	0/1	0											0/1	2															57:20
2	FREIHÖFER Tim	S	3/5	60			2/2	1/2	0/1																						34:25
3	LICHTLEIN Nils		3/5	60	1/2					2/3					2	1	1			1											18:46
4	HÄSELER Mathis	S	2/3	67		0/1	1/1		1/1										1											54:13	
5	SAUTER Moritz																														3:06
7	SEITZ Stephan																														2:50
8	LANGHOFF Matthes		3/4	75	1/1				1/1	1/2					3	1			2	1	1	1	1							43:40	
9	PREGLER Ole		0/1	0	0/1										2		1	1	1											9:22	
10	KRANZMANN Florian		2/2	100			1/1	1/1																							24:53
11	HEITKAMP Niclas	S	1/4	25	0/1				1/1	0/2												1								12:51	
12	LUDWIG Lasse																														0:34
13	USCINS Renars		4/6	67	2/4					2/2					4				1		1									39:07	
14	WILHELM Christian	S																			1	2								37:22	
15	FISCHER Justus	S	6/7	86		4/5			2/2								1			2	2	2		2						59:31	
19	BENEKE Max Christoph	S	0/2	0	0/2										1															3:16	
23	SCHOLTES Elias		6/8	75	3/4	1/1			0/1	2/2									1	1										18:44	
	Team / bench																														
	UKUPNO		30/48	63	7/15	5/7	4/4	2/3	5/7	7/11	0/1				14	2	3	1	6	5	5	6	1	2	0	0					

Goalkeepers		Saves / shots								
#	Surname and name	Tot.	%	9m	6m	Wing	7m	FB	Brk.	LD
1	SPÄTH David	16/38	42	5/5	4/8	2/7	0/4	2/5	3/9	
12	LUDWIG Lasse	0/1	0				0/1			
	TOTAL	16/39	41	5/5	4/8	2/7	0/5	2/5	3/9	0/0

Coach: **Martin Heuberger**

Number of attacks: 53, Efficiency: 57%, Average Duration: 31.32 seconds

Attack by type of defense

	Shots	9m	6m	Wing	TF	E7	E2
On def. 6-0	1/1	1/1	0/0	0/0	0	0	0
On def. 5-1	22/35	6/13	5/7	4/4	6	3	1
On def. 3-2-1	0/1	0/1	0/0	0/0	0	0	0
Fastbreak	5/7				0	0	0

Defense by type

	Total	9m	6m	Wing	Stl.	C7	2m
Def. 6-0	15/37	0/11	4/8	5/9	5	5	2
Fastbreak	3/5				0	0	0

Attack with superiority / minority / goalkeeper out

	Attack				Reaction		
	Att.	Eff.	Shots	TF	FB	LD	Tot.
7 on 6 (GK out)	1	100%	1/1	0	0/0	0/0	0/0
6 on 6 (GK out)	3	0%	0/2	1	0/0	0/0	0/0
6 on 6	47	57%	27/42	5			
6 on 5	2	100%	2/2	0			

Player superiority / GK out counted at the end of attack (in case it changes during attack)

Defense with superiority / minority / goalkeeper out

	Attack				Reaction		
	Att.	Eff.	Shots	TF	FB	LD	Tot.
7 on 6 (GK out)	7	29%	2/5	2	0/0	0/1	0/1
6 on 6 (GK out)	2	0%	0/1	1	0/0	0/0	0/0
6 on 6	40	48%	19/31	9			
6 on 5	4	50%	2/4	0			

Numbers show attacking numbers of opponent. Lower efficiency of opponent means better defense of this team

Jersey number Tot. Total shooting 6m 6m (line) shooting 9m 9m shooting Wng Wing shooting FB Fastbreak sh. 7m 7m penalty sh.
 Brk. Breakthrough sh. LD Long distance sh. As. Assists PC Pass clear chance E7 Earned 7m pen. TF Technical faults St. Steals
 2m 2m punishments C7. Committed 7m E2 Earned 2m pun. YC. Yellow cards R/B Red/Blue cards Blk. Blocks S Starting Line-up



24th IHF Men's Junior (U21) World Championship

Germany / Greece

Final Round, Finals



Match Team Statistics

Match No. 116

Germany 30 - 23 Hungary

(14 - 11) (16 - 12)

2.7.2023. 18:00

Attendance: 8235

Max-Schmeling Halle

Referees: Mathias Sosa (URU) / Cristian Lemes (URU)

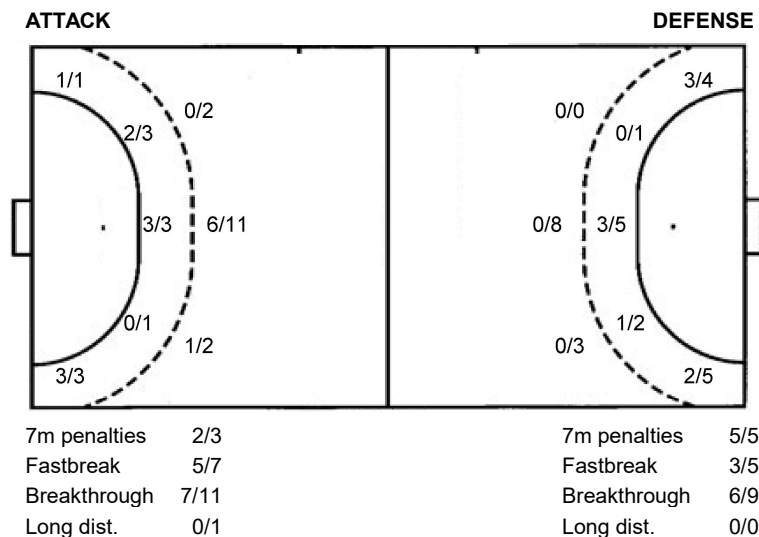
Shot distribution by player

2 T. Freihöfer	3 N. Lichtlein	4 M. Häselser	5 M. Sauter	7 S. Seitz	8 M. Langhoff	9 O. Pregler
1/1 1/1 0/1 1/1 1 post	1/1 1/1 1/1 0/2	1/1 0/1 1/1			1/1 1/2 1/1	0/1
10 F. Kranzmann	11 N. Heitkamp	13 R. Uscins	14 C. Wilhelm	15 J. Fischer	19 M. Beneke	23 E. Scholtes
1/1 1/1	1/1 0/1	1/1 1/1 0/1 2/2		2/2 3/3 1 post 1/1 lob	2 block	1/1 2/2 2/2 1/2 1 miss.
TOTAL						
3/3 6/7 2/4	1/1 1/3	5/5 4/6 7/9	3 post 3 miss. 2 block 1/1 lob			

Saves distribution goalkeepers

1 D. Späth	12 L. Ludwig	TOTAL
0/3 1/2 0/2 2/3 2/2 4/8 2/9 5/9	0/1	0/4 1/2 0/2 2/3 2/2 4/8 2/9 5/9

Shots by position



Shooting statistics

Position	Goals	Sav.	Miss.	Post	Blk.	Total	%
Back (9m)	7	3	2	1	2	15	47
Line (6m)	5	1	0	1	0	7	71
Wing	4	0	0	0	0	4	100
7m penalties	2	1	0	0	0	3	67
Fastbreak	5	1	0	1	0	7	71
Breakthrough	7	3	1	0	0	11	64
Total	30	9	3	3	2	47	64

Jersey number Tot. Total shooting 6m 6m (line) shooting 9m 9m shooting Wng Wing shooting FB Fastbreak sh. 7m 7m penalty sh.
 Brk. Breakthrough sh. LD Long distance sh. As. Assists PC Pass clear chance E7 Earned 7m pen. TF Technical faults St. Steals
 2m 2m punishments C7. Committed 7m E2 Earned 2m pun. YC. Yellow cards R/B Red/Blue cards Blk. Blocks S Starting Line-up



24th IHF Men's Junior (U21) World Championship

Germany / Greece

Final Round, Finals



Match Team Statistics

Match No. 116

Germany 30 - 23 Hungary

(14 - 11) (16 - 12)

2.7.2023. 18:00

Attendance: 8235

Max-Schmeling Halle

Referees: Mathias Sosa (URU) / Cristian Lemes (URU)

Hungary

Players		Goals / shots										Attack					Def.			Penalties				TP	
#	Surname and name	S	Tot.	%	9m	6m	Wing	7m	FB	Brk.	LD	As.	PC	E7	E2	TF	St.	C7	Blk	YC	2m	R	B		
1	PALASICS Kristóf	S																							41:29
5	TEMESVÁRI Gábor																								28:33
7	ILIC Zoran	S	1/4	25	0/2					1/2		1	1			2		1				1			34:35
8	PERGEL Andrej		0/1	0						0/1		2	1			1			1						21:20
9	SZTRAKA Dániel											1				1									17:18
10	KRAKOVSZKI Zsolt	S	2/3	67			2/3																		29:23
11	PAPP Tamás	S	3/6	50		2/4			1/2					2	2			1	1						37:07
13	SISA Erhard	S	4/5	80			3/4		1/1																43:12
14	KARAI Miklós		1/3	33		1/3												1							27:50
17	ÓNODI-JÁNOSKÚTI Máté	S	0/5	0	0/4		0/1					1		2		1	2								28:08
19	IMRE Bence		5/7	71			0/1	5/5	0/1							2									16:24
24	FAZEKAS Gergő		3/6	50	0/2				1/1	2/3		1	3			2									33:05
27	LUKÁCS Péter	S	4/4	100		1/1				3/3		1	3	1		2	1								37:01
29	LUDMÁN Marcell Csaba		0/3	0	0/3							2	2			1									9:01
36	TÁRNOKI Márkó																								
61	MIKLER Krisztián																								15:34
	Team / bench																								
	UKUPNO		23/47	49	0/11	4/8	5/9	5/5	3/5	6/9	0/0	9	10	5	2	12	3	3	2	0	1	0	0		

Goalkeepers		Saves / shots									
#	Surname and name	Tot.	%	9m	6m	Wing	7m	FB	Brk.	LD	
1	PALASICS Kristóf	8/29	28	2/7	1/3	0/3	1/2	1/5	3/9		
61	MIKLER Krisztián	1/10	10	1/3	0/3	0/1	0/1	0/1	0/1		
	TOTAL	9/39	23	3/10	1/6	0/4	1/3	3/6	3/10	0/0	

Coach: László Sótónyi

Number of attacks: 53, Efficiency: 43%, Average Duration: 35.85 seconds

Attack by type of defense

	Shots	9m	6m	Wing	TF	E7	E2
On def. 6-0	15/37	0/11	4/8	5/9	12	5	2
Fastbreak	3/5				0	0	0

Defense by type

	Total	9m	6m	Wing	Stl.	C7	2m
Def. 6-0	1/1	1/1	0/0	0/0	0	0	0
Def. 5-1	22/35	6/13	5/7	4/4	3	3	1
Def. 3-2-1	0/1	0/1	0/0	0/0	0	0	0
Fastbreak	5/7				0	0	0

Attack with superiority / minority / goalkeeper out

	Attack				Reaction		
	Att.	Eff.	Shots	TF	FB	LD	Tot.
7 on 6 (GK out)	7	29%	2/5	2	0/0	0/1	0/1
6 on 6 (GK out)	2	0%	0/1	1	0/0	0/0	0/0
6 on 6	40	48%	19/31	9			
6 on 5	4	50%	2/4	0			

Player superiority / GK out counted at the end of attack (in case it changes during attack)

Defense with superiority / minority / goalkeeper out

	Attack				Reaction		
	Att.	Eff.	Shots	TF	FB	LD	Tot.
7 on 6 (GK out)	1	100%	1/1	0	0/0	0/0	0/0
6 on 6 (GK out)	3	0%	0/2	1	0/0	0/0	0/0
6 on 6	47	57%	27/42	5			
6 on 5	2	100%	2/2	0			

Numbers show attacking numbers of opponent. Lower efficiency of opponent means better defense of this team

Jersey number Tot. Total shooting 6m 6m (line) shooting 9m 9m shooting Wng Wing shooting FB Fastbreak sh. 7m 7m penalty sh.
 Brk. Breakthrough sh. LD Long distance sh. As. Assists PC Pass clear chance E7 Earned 7m pen. TF Technical faults St. Steals
 2m 2m punishments C7. Committed 7m E2 Earned 2m pun. YC. Yellow cards R/B Red/Blue cards Blk. Blocks S Starting Line-up

Handball statistics and livescore by Toma-soft ltd (www.toma-soft.hr)



24th IHF Men's Junior (U21) World Championship

Germany / Greece

Final Round, Finals



Match Team Statistics

Match No. 116

Germany 30 - 23 Hungary

(14 - 11) (16 - 12)

2.7.2023. 18:00

Attendance: 8235

Max-Schmeling Halle

Referees: Mathias Sosa (URU) / Cristian Lemes (URU)

Shot distribution by player

5 G. Temesvári

7 Z. Ilic

	1/2	

2 block

8 A. Pergel

0/1		

9 D. Sztraka

10 Z. Krakovszki

1/1		
	1/2	

11 T. Papp

0/1		0/1
1/1	2/2	0/1

13 E. Sisa

1/1		
	2/2	1/1

1 post

14 M. Karai

	0/1	
		1/2

17 M. Ónodi-Jánoskúti

0/1		0/1

3 block

19 B. Imre

2/2		
0/1		
2/2		1/1

1 post

24 G. Fazekas

		1/1
1/1		
1/3		0/1

27 P. Lukács

	1/1	1/1
	1/1	1/1

29 M. Ludmán

		0/1
		0/1

1 block

36 M. Támoki

TOTAL

4/4	1/2	2/2
1/3		0/2
4/8	7/9	4/9

2 post 6 block

Saves distribution goalkeepers

1 K. Palasics

0/1		0/5
1/5		2/5
2/4	1/2	2/6

61 K. Mikler

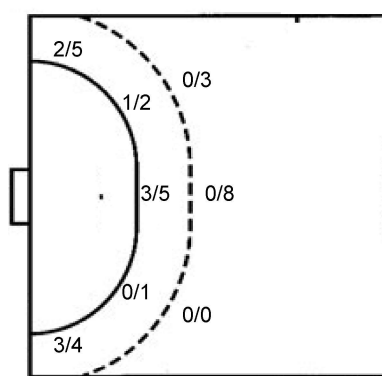
0/2		
0/2	0/1	0/1
	1/1	0/3

TOTAL

0/3		0/5
1/7	0/1	2/6
2/4	2/3	2/9

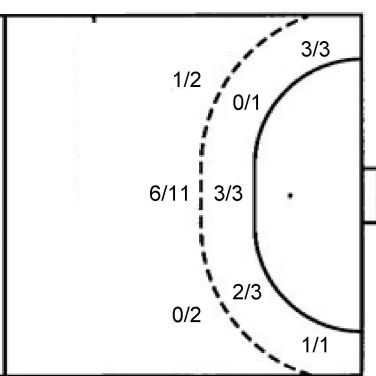
Shots by position

ATTACK



7m penalties	5/5
Fastbreak	3/5
Breakthrough	6/9
Long dist.	0/0

DEFENSE



7m penalties	2/3
Fastbreak	5/7
Breakthrough	7/11
Long dist.	0/1

Shooting statistics

Position	Goals	Sav.	Miss.	Post	Blk.	Total	%
Back (9m)	0	5	0	0	6	11	0
Line (6m)	4	4	0	0	0	8	50
Wing	5	2	0	2	0	9	56
7m penalties	5	0	0	0	0	5	100
Fastbreak	3	2	0	0	0	5	60
Breakthrough	6	3	0	0	0	9	67
Total	23	16	0	2	6	47	49

Jersey number Tot. Total shooting 6m 6m (line) shooting 9m 9m shooting Wng Wing shooting FB Fastbreak sh. 7m 7m penalty sh.
 Brk. Breakthrough sh. LD Long distance sh. As. Assists PC Pass clear chance E7 Earned 7m pen. TF Technical faults St. Steals
 2m 2m punishments C7. Committed 7m E2 Earned 2m pun. YC. Yellow cards R/B Red/Blue cards Blk. Blocks S Starting Line-up

Handball statistics and livescore by Toma-soft ltd (www.toma-soft.hr)



24th IHF Men's Junior (U21) World Championship

Germany / Greece

Final Round, Finals



Match Team Statistics

Match No. 116

Germany 30 - 23 Hungary

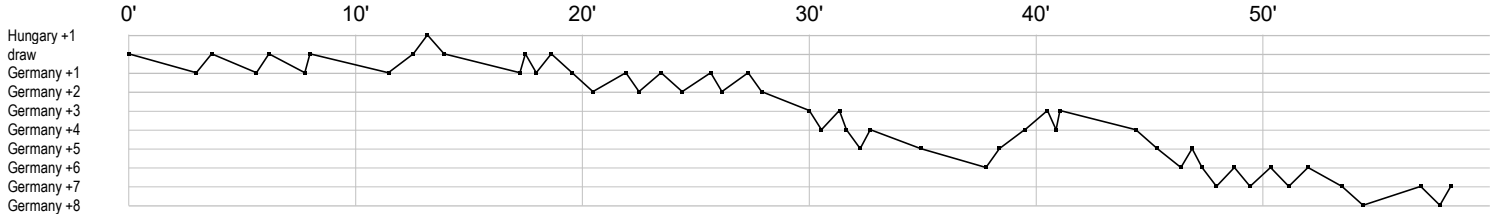
(14 - 11) (16 - 12)

2.7.2023. 18:00

Attendance: 8235

Max-Schmeling Halle

Referees: Mathias Sosa (URU) / Cristian Lemes (URU)



Germany

1 Späth D	s r s r asr	r r s r r s a r r r r s	r r	s r r	rr s s s r s	sr ssr s f r r s
2 Freihöfer T	g	f f g	g			
3 Lichtlein N	g	p g e	a	g a	f	t f
4 Häsel M		f	g b		g	
5 Sauter M						
7 Seitz S						
8 Langhoff M		f y g a	tb g g x a		t p a c	
9 Pregler O					ei a a	t f
10 Kranzmann F					g	g
11 Heitkamp N	f f xg f					
12 Ludwig L						r
13 Uscins R	f f a	a g t			g a g g a c	
14 Wilhelm C		x xc				
15 Fischer J	e c g x g		b 2 2c		f g g g	b g x
19 Beneke M						a ff
23 Scholtes E		g bf	g g g f g	gt		

Hungary

1 Palasics K	s r r r	s r s r s r r sr	r r r r s r			r r s r
5 Temesvári G						
7 Ilic Z	t p a ff	f		t	g 2c	
8 Pergel A		a f a	p t			x
9 Sztraka D		a t				
10 Krakovszki Z	f	g g				
11 Papp T	g f g	c	f	i ie f		e g x
13 Sisa E		g				
14 Karai M	c		g			f f
17 Ónodi-Jánoski		f a t b fe		f	f fe	b
19 Imre B	g		g	f g t f t	g	g
24 Fazekas G		f g t t g a		f g p p p		f
27 Lukács P	p e t gt		g g p g bp			a
29 Ludmán M					a f fa t p p f	
36 Tárnoki M						
61 Mikler K				r s r r r r r r		

In game	g Goal scored	f Missed shot	a Assist	t Technical faults	b Steal
2 2min suspension	e Earned 7m	c Committed 7m	y Yellow card	r Red Card	k Blue card
i Earned 2min.	x Block	4 4min suspension	p Pass for clear chance	s Saved shot	r Received goal