



24th IHF Men's Junior (U21) World Championship

Germany / Greece
Final Round, Semifinals



Match Team Statistics

Match No. 112

Hungary 37 - 30 Iceland
(19 - 14) (18 - 16)

1.7.2023. 15:30

Attendance: 3138

Max-Schmeling Halle

Referees: Amar Konjicanin (BIH) / Dino Konjicanin (BIH)

Hungary

#	Surname and name	S	Goals / shots								Attack					Def.			Penalties			TP				
			Tot.	%	9m	6m	Wing	7m	FB	Brk.	LD	As.	PC	E7	E2	TF	St.	C7	Blk	YC	2m		R	B		
1	PALASICS Kristóf																									
5	TEMESVÁRI Gábor	S									1						1	1		2						19:08
7	ILIC Zoran	S	4/6	67	1/3	1/1					1/1	1/1			4				1			1				22:22
8	PERGEL Andrej		3/5	60	1/2						2/3				1					2						18:47
9	SZTRAKA Dániel	S	5/5	100		2/2					2/2	1/1			1				1	2						26:07
10	KRAKOVSZKI Zsolt		1/1	100			1/1																			15:27
11	PAPP Tamás	S	3/3	100		3/3									1				1	1			1			38:44
13	SISA Erhard		2/2	100		1/1	1/1													1						50:21
14	KARAI Miklós		5/6	83		5/6																	1			25:27
17	ÓNODI-JÁNOSKÚTI Máté	S	4/5	80	3/4						1/1				2					2						37:34
19	IMRE Bence		4/4	100			1/1	2/2	1/1																	30:06
24	FAZEKAS Gergő		3/4	75	3/4										2					2	1					24:02
27	LUKÁCS Péter	S	2/2	100					1/1	1/1					2				1	1	1	2				34:06
29	LUDMÁN Marcell Csaba		1/3	33	1/3																		1			20:05
36	TÁRNOKI Márkó																									
61	MIKLER Krisztián	S																								56:24
	Team / bench																									
	UKUPNO		37/46	80	9/16	12/13	3/3	2/2	4/4	6/7	1/1		13	1	2	4	11	5	1	3	0	4	0	0		

#	Surname and name	Saves / shots																				
		Tot.	%	9m	6m	Wing	7m	FB	Brk.	LD												
1	PALASICS Kristóf																					
61	MIKLER Krisztián	15/45	33	7/13	4/17	1/6	0/1	0/3	3/5													
	TOTAL	15/45	33	7/13	4/17	1/6	0/1	0/3	3/5	0/0												

Coach: László Sótornyai

Number of attacks: 56, Efficiency: 66%, Average Duration: 32.74 seconds

Attack by type of defense

	Shots	9m	6m	Wing	TF	E7	E2
On def. 6-0	25/31	9/14	9/10	2/2	9	2	4
On def. 5-1	3/6	0/2	2/2	0/0	2	0	0
On def. 3-2-1	1/1	0/0	1/1	0/0	0	0	0
Fastbreak	4/4				0	0	0

Defense by type

	Total	9m	6m	Wing	Stl.	C7	2m
Def. 6-0	3/7	0/1	2/4	1/1	0	0	1
Def. 5-1	20/35	5/15	10/12	3/4	5	1	3
Def. 3-2-1	0/1	0/1	0/0	0/0	0	0	0
Fastbreak	3/3				0	0	0

Attack with superiority / minority / goalkeeper out

	Attack				Reaction		
	Att.	Eff.	Shots	TF	FB	LD	Tot.
7 on 6 (GK out)	3	67%	2/3	0	0/0	0/0	0/0
6 on 6 (GK out)	4	50%	2/3	1	0/0	0/0	0/0
6 on 6	41	68%	28/33	8			
6 on 5	4	25%	1/2	2			
6 on 4	2	100%	2/2	0			
5 on 6	2	100%	2/2	0			

Player superiority / GK out counted at the end of attack (in case it changes during attack)

Defense with superiority / minority / goalkeeper out

	Attack				Reaction		
	Att.	Eff.	Shots	TF	FB	LD	Tot.
7 on 6 (GK out)	1	0%	0/1	0	0/0	1/1	1/1
6 on 6 (GK out)	5	40%	2/4	1	0/0	0/0	0/0
6 on 6	42	50%	21/35	7			
5 on 6	1	100%	1/1	0			
4 on 6	1	100%	1/1	0			
6 on 5	8	63%	5/7	1			

Numbers show attacking numbers of opponent. Lower efficiency of opponent means better defense of this team

Jersey number Tot. Total shooting 6m 6m (line) shooting 9m 9m shooting Wng Wing shooting FB Fastbreak sh. 7m 7m penalty sh.
Brk. Breakthrough sh. LD Long distance sh. As. Assists PC Pass clear chance E7 Earned 7m pen. TF Technical faults St. Steals
2m 2m punishments C7. Committed 7m E2 Earned 2m pun. YC. Yellow cards R/B Red/Blue cards Blk. Blocks S Starting Line-up



24th IHF Men's Junior (U21) World Championship

Germany / Greece
Final Round, Semifinals



Match Team Statistics

Match No. 112

Hungary 37 - 30 Iceland

(19 - 14) (18 - 16)

1.7.2023. 15:30

Attendance: 3138

Max-Schmeling Halle

Referees: Amar Konjicanin (BIH) / Dino Konjicanin (BIH)

Shot distribution by player

5 G. Temesvári

7 Z. Ilic

	1/1	
	1/2	2/2

1 miss.

8 A. Pergel

1/1	0/1	1/1
0/1		1/1

9 D. Sztraka

1/1		1/1
1/1		1/1
		1/1

10 Z. Krakovszki

1/1		

11 T. Papp

		3/3

13 E. Sisa

	1/1	1/1

14 M. Karai

1/1		1/1
1/1	1/1	

1 miss. 1/1 lob

17 M. Ónodi-Jánoskúti

2/2		
		0/1
1/1	1/1	

19 B. Imre

2/2		2/2

24 G. Fazekas

1/1		
1/1		1/1

1 post

27 P. Lukács

1/1		1/1

29 M. Ludmán

		1/1
0/1		

1 block

36 M. Támoki

TOTAL

5/5	0/1	4/4
3/3	1/1	1/2
6/8	4/5	12/12

1 post 2 miss. 1 block 1/1 lob

Saves distribution goalkeepers

1 K. Palasics

61 K. Mikler

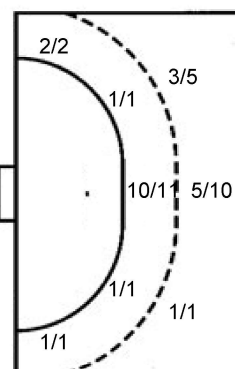
1/5	0/1	1/5
5/9	1/1	4/11
0/6		2/5

TOTAL

1/5	0/1	1/5
5/9	1/1	4/11
0/6		2/5

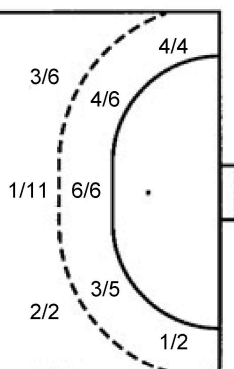
Shots by position

ATTACK



7m penalties	2/2
Fastbreak	4/4
Breakthrough	6/7
Long dist.	1/1

DEFENSE



7m penalties	1/1
Fastbreak	3/3
Breakthrough	2/5
Long dist.	0/0

Shooting statistics

Position	Goals	Sav.	Miss.	Post	Blk.	Total	%
Back (9m)	9	4	1	1	1	16	56
Line (6m)	12	0	1	0	0	13	92
Wing	3	0	0	0	0	3	100
7m penalties	2	0	0	0	0	2	100
Fastbreak	4	0	0	0	0	4	100
Breakthrough	6	1	0	0	0	7	86
Total	36	5	2	1	1	45	80

Jersey number Tot. Total shooting 6m 6m (line) shooting 9m 9m shooting Wng Wing shooting FB Fastbreak sh. 7m 7m penalty sh.
Brk. Breakthrough sh. LD Long distance sh. As. Assists PC Pass clear chance E7 Earned 7m pen. TF Technical faults St. Steals
2m 2m punishments C7. Committed 7m E2 Earned 2m pun. YC. Yellow cards R/B Red/Blue cards Blk. Blocks S Starting Line-up

Handball statistics and livescore by Toma-soft ltd (www.toma-soft.hr)



24th IHF Men's Junior (U21) World Championship

Germany / Greece
Final Round, Semifinals



Match Team Statistics

Match No. 112

Hungary 37 - 30 Iceland

(19 - 14) (18 - 16)

1.7.2023. 15:30

Attendance: 3138

Max-Schmeling Halle

Referees: Amar Konjicanin (BIH) / Dino Konjicanin (BIH)

Iceland

#	Surname and name	S	Goals / shots								Attack					Def.			Penalties				TP			
			Tot.	%	9m	6m	Wing	7m	FB	Brk.	LD	As.	PC	E7	E2	TF	St.	C7	Blk	YC	2m	R		B		
1	SIGURJÓNSSON Brynjar Vignir	S																								13:56
2	ÁSTTHÓRSSON Guðmundur Bragi		4/7	57	1/4	2/2	1/1								4				2	1						27:09
3	ADALSTEINSSON Einar Bragi														2				1	1			2			31:31
4	RUNARSSON Andri Mar	S	3/10	30	1/5	2/3				0/2								2	1							38:39
5	GUNNARSSON Thorsteinn Leó	S	0/3	0	0/3														1							9:55
8	THORISSON Tryggvi	S	1/1	100		1/1									1				1	1			1			38:41
9	GÚSTAFSSON Ísak		3/3	100	2/2					1/1									1							12:19
10	ÓSKARSSON Benedikt Gunnar		2/3	67	1/2				1/1						1	1										4:56
11	FINNSSON Andri		4/4	100		4/4									1						1					30:02
12	THORSTEINSSON Jón Þórarinn																		1							20:43
16	THORSTENSEN Adam																									23:05
17	JÓNASSON Kristófer Máni	S	2/3	67			1/2		1/1										1				1			29:16
18	GUDJÓNSSON Símon Michael	S	4/4	100		1/1	3/3												1							42:37
19	ANDRASON Jóhannes Berg	S	3/5	60	1/1	1/2				1/2				2	1				2							36:04
20	VIDARSSON Arnór		3/7	43	0/2	2/4				1/1				2	1		2									40:51
32	ARNALDS Stefán Orri		1/1	100					1/1										1							19:06
	Team / bench																							1		
	UKUPNO		30/51	59	6/19	13/17	5/6	1/1	3/3	2/5	0/0	13	2	1	4	9	5	2	1	1	4	0	0			

#	Surname and name	Saves / shots								
		Tot.	%	9m	6m	Wing	7m	FB	Brk.	LD
1	SIGURJÓNSSON Brynjar Vignir	1/11	9	1/3	0/1	0/2	0/1	0/3	0/1	
12	THORSTEINSSON Jón Þórarinn	2/16	13	1/3	0/6	0/1			1/6	
16	THORSTENSEN Adam	2/14	14	2/7	0/5		0/1	0/1		
	TOTAL	5/41	12	4/13	0/12	0/3	0/2	0/4	1/7	0/0

Coach: Einar Andri Einarsson

Number of attacks: 58, Efficiency: 52%, Average Duration: 30.83 seconds

Attack by type of defense

	Shots	9m	6m	Wing	TF	E7	E2
On def. 6-0	3/7	0/1	2/4	1/1	0	0	1
On def. 5-1	20/35	5/15	10/12	3/4	9	1	3
On def. 3-2-1	0/1	0/1	0/0	0/0	0	0	0
Fastbreak	3/3				0	0	0

Defense by type

	Total	9m	6m	Wing	Stl.	C7	2m
Def. 6-0	25/31	9/14	9/10	2/2	4	2	4
Def. 5-1	3/6	0/2	2/2	0/0	1	0	0
Def. 3-2-1	1/1	0/0	1/1	0/0	0	0	0
Fastbreak	4/4				0	0	0

Attack with superiority / minority / goalkeeper out

	Attack				Reaction		
	Att.	Eff.	Shots	TF	FB	LD	Tot.
7 on 6 (GK out)	1	0%	0/1	0	0/0	1/1	1/1
6 on 6 (GK out)	5	40%	2/4	1	0/0	0/0	0/0
6 on 6	42	50%	21/35	7			
5 on 6	1	100%	1/1	0			
4 on 6	1	100%	1/1	0			
6 on 5	8	63%	5/7	1			

Player superiority / GK out counted at the end of attack (in case it changes during attack)

Defense with superiority / minority / goalkeeper out

	Attack				Reaction		
	Att.	Eff.	Shots	TF	FB	LD	Tot.
7 on 6 (GK out)	3	67%	2/3	0	0/0	0/0	0/0
6 on 6 (GK out)	4	50%	2/3	1	0/0	0/0	0/0
6 on 6	41	68%	28/33	8			
6 on 5	4	25%	1/2	2			
6 on 4	2	100%	2/2	0			
5 on 6	2	100%	2/2	0			

Numbers show attacking numbers of opponent. Lower efficiency of opponent means better defense of this team

Jersey number Tot. Total shooting 6m 6m (line) shooting 9m 9m shooting Wng Wing shooting FB Fastbreak sh. 7m 7m penalty sh.
Brk. Breakthrough sh. LD Long distance sh. As. Assists PC Pass clear chance E7 Earned 7m pen. TF Technical faults St. Steals
2m 2m punishments C7. Committed 7m E2 Earned 2m pun. YC. Yellow cards R/B Red/Blue cards Blk. Blocks S Starting Line-up



24th IHF Men's Junior (U21) World Championship

Germany / Greece
Final Round, Semifinals



Match Team Statistics

Match No. 112

Hungary 37 - 30 Iceland

(19 - 14) (18 - 16)

1.7.2023. 15:30

Attendance: 3138

Max-Schmeling Halle

Referees: Amar Konjicanin (BIH) / Dino Konjicanin (BIH)

Shot distribution by player

2 G. Ástthórsson

3/3		
1/1		

1 post 1 miss. 1 block

3 E. Adalsteinsson

4 A. Runarsson

1/1		
0/4	0/1	0/1
1/1		1/2

5 T. Gunnarsson

0/1		

1 post 1 block

8 T. Thórisson

1/1		

9 Í. Gústafsson

1/1		1/1
1/1		

10 B. Óskarsson

1/1		
		1/1

1 block

11 A. Finnsson

	1/1	1/1
		2/2

17 K. Jónasson

		2/2

0/1 lob

18 S. Guðjónsson

1/1		1/1
		1/1
1/1		

19 J. Andrason

		1/2
1/1		1/2

20 A. Vidarsson

0/1		
		1/4
1/1		1/1

32 S. Arnalds

1/1 lob		

TOTAL

4/5	1/1	4/5
4/9	0/1	7/11
6/6		3/5

2 post 1 miss. 3 block 1/2 lob

Saves distribution goalkeepers

1 B. Sigurjónsson

0/1		0/1
0/1	0/1	0/1
0/2	1/3	0/1

12 J. Thorsteinsson

0/3	1/1	0/2
0/1		
1/3	0/1	0/5

16 A. Thorstensen

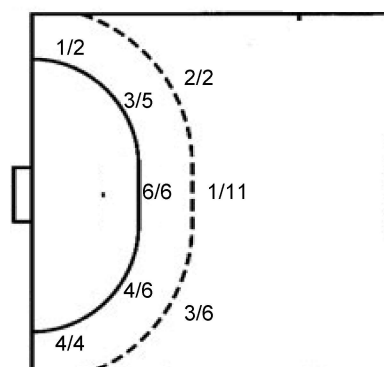
0/1		0/1
0/1		1/1
1/3		0/6

TOTAL

0/5	1/1	0/4
0/3	0/1	1/2
2/8	1/4	0/12

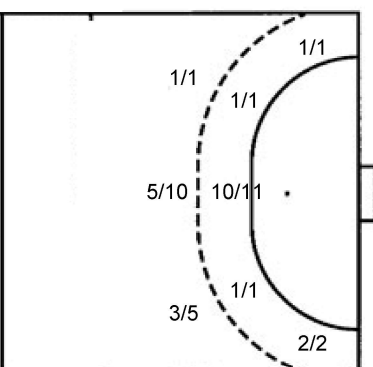
Shots by position

ATTACK



7m penalties	1/1
Fastbreak	3/3
Breakthrough	2/5
Long dist.	0/0

DEFENSE



7m penalties	2/2
Fastbreak	4/4
Breakthrough	6/7
Long dist.	1/1

Shooting statistics

Position	Goals	Sav.	Miss.	Post	Blk.	Total	%
Back (9m)	6	7	1	2	3	19	32
Line (6m)	13	4	0	0	0	17	76
Wing	5	1	0	0	0	6	83
7m penalties	1	0	0	0	0	1	100
Fastbreak	3	0	0	0	0	3	100
Breakthrough	2	3	0	0	0	5	40
Total	30	15	1	2	3	51	59

Jersey number Tot. Total shooting 6m 6m (line) shooting 9m 9m shooting Wng Wing shooting FB Fastbreak sh. 7m 7m penalty sh.
Brk. Breakthrough sh. LD Long distance sh. As. Assists PC Pass clear chance E7 Earned 7m pen. TF Technical faults St. Steals
2m 2m punishments C7. Committed 7m E2 Earned 2m pun. YC. Yellow cards R/B Red/Blue cards Blk. Blocks S Starting Line-up

Handball statistics and livescore by Toma-soft ltd (www.toma-soft.hr)



24th IHF Men's Junior (U21) World Championship

Germany / Greece
Final Round, Semifinals

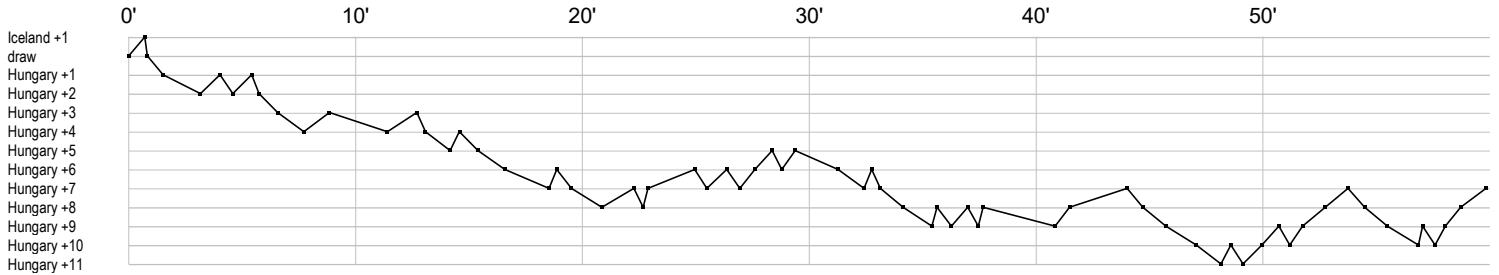


Match Team Statistics
Match No. 112

Hungary 37 - 30 Iceland
(19 - 14) (18 - 16)

1.7.2023. 15:30
Attendance: 3138
Max-Schmeling Halle

Referees: Amar Konjicanin (BIH) / Dino Konjicanin (BIH)



Hungary

1 Palasics K	
5 Temesvári G	2
7 Illic Z	a a g g f t xg a a g f
8 Pergel A	g p t f g f g t
9 Sztraka D	g i g a g g t t
10 Krakovszki Z	g
11 Papp T	a g x t gi g
13 Sisa E	g i g
14 Karai M	f g g g g 2 g
17 Ónodi-Jánoski	b g g g a a f b e g
19 Imre B	g g g g g
24 Fazekas G	g a t g g t f b a
27 Lukács P	bg i e bt g a a
29 Ludmán M	2 f g f t
36 Tárnoki M	
61 Mikler K	r s r r s r s s r r r s r r s r r r r r s s r s r r s r r r r s s r r r

Iceland

1 Sigurjónsson	r r r r r r sr r r r
2 Ástthórsson G	t g f a a g a f f t g b g a
3 Adalsteinsson	2 a b 2 a c
4 Runarsson A	g f g t f f f f gi i f
5 Gunnarsson T	t f f f
8 Thórisson T	c2 ba g
9 Gústafsson Í	t g g
10 Óskarsson B	a g f e g
11 Finnsson A	g g g x
12 Thorsteinsson	r r r r r s r r s r r r r r r
16 Thorstensen	r r s r r r r r r r r r s
17 Jónasson K	g f 2 g b
18 Guðjónsson S	g g g g b
19 Andrason J	a g t p a g t g f f
20 Vidarsson A	i g gi g f a p f a f f
32 Arnalds S	g t

In game	g Goal scored	f Missed shot	a Assist	t Technical faults	b Steal
2 2min suspension	e Earned 7m	c Committed 7m	y Yellow card	r Red Card	k Blue card
i Earned 2min.	x Block	4 4min suspension	p Pass for clear chance	s Saved shot	r Received goal