



24th IHF Men's Junior (U21) World Championship

Germany / Greece

Final Round, 29-32. place



Match Team Statistics

Match No. 101

Costa Rica 32 - 35 Libya

(12 - 16) (20 - 19)

29.6.2023. 15:45

Attendance: 347

Swiss Life Hall

Referees: Ahmad Gheisarian (IRI) / Amir Gheisarian (IRI)

Costa Rica

#	Surname and name	S	Goals / shots								Attack					Def.			Penalties				TP				
			Tot.	%	9m	6m	Wing	7m	FB	Brk.	LD	As.	PC	E7	E2	TF	St.	C7	Blk	YC	2m	R		B			
1	CAMPOS RUIZ Jared Joahn	S																									22:23
2	LARA MARTÍNEZ Alí Sebastian		3/4	75			3/4									2		1									20:47
3	ACUNA CERVANTES Sebastián		0/1	0			0/1																				6:05
4	SUÁREZ MATARRITA Erick Kendall		3/3	100	1/1						2/2			4	2												32:38
5	MONTERO ARCE Elimelec	S																									3:09
6	VARGAS ALFARO Saúl Alberto		5/8	63	1/4						4/4			2	1												35:25
8	SABORIO CALVO Óscar Gabriel	S	2/2	100			1/1				1/1			2	1												33:36
9	SUÁREZ MATARRITA Erick Andrey		5/14	36	2/8					1/1	2/5			7	3	1				2	2				1	1	53:19
10	GARCÍA SALGUERAS Kendall Stward																										
11	CUBERO GÓMEZ Drivan Fabián	S	3/4	75			3/3				0/1			1	1												52:22
14	SOLIS LEAL José Fernando																										
15	MONTOYA MONTIEL Joseph	S	2/7	29			1/6			1/1																	39:13
16	GÓMEZ VIALES Víctor Manuel																										37:37
17	TRUJILLO VELÁSQUEZ Alex	S	0/1	0							0/1			1						1	4						23:26
19	CANTARERO MARTÍNEZ Jerson Yafeth	S	9/10	90		7/7		1/1	0/1			1/1		1						1	2						60:00
Team / bench																											
UKUPNO			32/54	59	4/13	7/7	8/15	1/1	2/3	9/14	1/1			18	8	1	2	19	4	3	1	0	1	0	0		

#	Surname and name	Saves / shots								
		Tot.	%	9m	6m	Wing	7m	FB	Brk.	LD
1	CAMPOS RUIZ Jared Joahn	4/19	21	1/9	0/1	1/2		0/3	2/4	
16	GÓMEZ VIALES Víctor Manuel	11/31	35	4/8	2/5	1/4	1/3	0/2	3/9	
TOTAL		15/50	30	5/17	2/6	1/3	0/5	5/13	0/0	

Coach: Hanner Fabricio Parra Martinez

Number of attacks: 71, Efficiency: 45%, Average Duration: 24.18 seconds

Attack by type of defense

	Shots	9m	6m	Wing	TF	E7	E2
On def. 6-0	16/26	3/8	3/3	3/7	9	1	1
On def. 5-1	9/18	1/5	4/4	2/4	10	0	1
Fastbreak	2/3				0	0	0

Defense by type

	Total	9m	6m	Wing	Stl.	C7	2m
Def. 6-0	2/3	2/2	0/0	0/1	0	0	0
Def. 5-1	10/21	3/5	2/4	1/2	3	2	0
Def. 3-2-1	14/23	7/13	2/3	2/3	1	1	0
Def. press.	1/1	0/0	0/0	0/0	0	0	1
Fastbreak	5/5				0	0	0

Attack with superiority / minority / goalkeeper out

	Attack				Reaction		
	Att.	Eff.	Shots	TF	FB	LD	Tot.
6 on 6	62	44%	27/44	18			
6 on 5	9	56%	5/8	1			

Player superiority / GK out counted at the end of attack (in case it changes during attack)

Defense with superiority / minority / goalkeeper out

	Attack				Reaction		
	Att.	Eff.	Shots	TF	FB	LD	Tot.
7 on 6 (GK out)	1	100%	1/1	0	0/0	0/0	0/0
6 on 6 (GK out)	1	100%	1/1	0	0/0	1/1	1/1
6 on 6	64	47%	30/47	17			
5 on 6	5	60%	3/4	1			

Numbers show attacking numbers of opponent. Lower efficiency of opponent means better defense of this team

Jersey number Tot. Total shooting 6m 6m (line) shooting 9m 9m shooting Wng Wing shooting FB Fastbreak sh. 7m 7m penalty sh.
 Brk. Breakthrough sh. LD Long distance sh. As. Assists PC Pass clear chance E7 Earned 7m pen. TF Technical faults St. Steals
 2m 2m punishments C7. Committed 7m E2 Earned 2m pun. YC. Yellow cards R/B Red/Blue cards Blk. Blocks S Starting Line-up

Handball statistics and livescore by Toma-soft ltd (www.toma-soft.hr)



24th IHF Men's Junior (U21) World Championship

Germany / Greece

Final Round, 29-32. place



Match Team Statistics

Match No. 101

Costa Rica 32 - 35 Libya

(12 - 16) (20 - 19)

29.6.2023. 15:45

Attendance: 347

Swiss Life Hall

Referees: Ahmad Gheisarian (IRI) / Amir Gheisarian (IRI)

Shot distribution by player

2 A. Lara Martínez

	0/1	
2/2		1/1

3 S. Acuna Cervantes

1 miss.

4 E. Suárez Matarrita

1/1		
1/1		1/1

5 E. Montero Arce

6 S. Vargas Alfaro

4/5		0/1

1 post 1/1 lob

8 Ó. Saborío Calvo

		1/1
1/1		

9 E. Suárez Matarrita

	0/1	1/1
		0/4
	0/1	4/6

1 miss.

10 K. García Salgueras

11 D. Cubero Gómez

		2/2
0/1		1/1

14 J. Solís Leal

15 J. Montoya Montiel

0/1	0/2	
1/1		

1 post 1 miss. 1/1 lob

17 A. Trujillo Velásquez

		0/1

19 J. Cantarero Martínez

1/1	1/1	
2/3		5/5

TOTAL

1/1	1/3	4/4
1/2	0/2	0/5
11/14	0/1	12/15

2 post 3 miss. 2/2 lob

Saves distribution goalkeepers

1 J. Campos Ruíz

1/1	0/1	0/1
1/3	0/1	
1/4	1/5	0/2

16 V. Gómez Viales

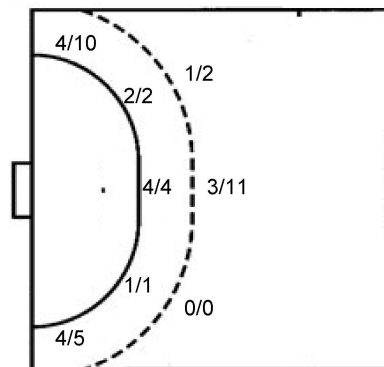
	2/2	2/4
1/8	2/3	4/12

TOTAL

1/1	0/1	0/1
1/3	2/3	2/4
2/12	3/8	4/14

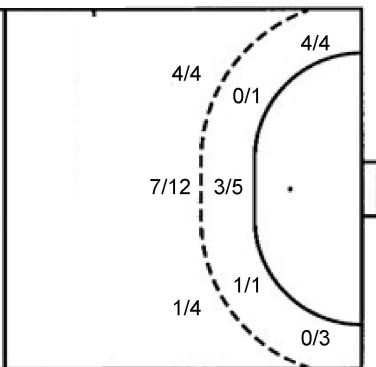
Shots by position

ATTACK



7m penalties 1/1
Fastbreak 2/3
Breakthrough 9/14
Long dist. 1/1

DEFENSE



7m penalties 2/3
Fastbreak 5/5
Breakthrough 8/15
Long dist. 0/0

Shooting statistics

Position	Goals	Sav.	Miss.	Post	Blk.	Total	%
Back (9m)	4	7	1	1	0	13	31
Line (6m)	7	0	0	0	0	7	100
Wing	8	4	2	1	0	15	53
7m penalties	1	0	0	0	0	1	100
Fastbreak	2	1	0	0	0	3	67
Breakthrough	9	5	0	0	0	14	64
Total	31	17	3	2	0	53	58

Jersey number Tot. Total shooting 6m 6m (line) shooting 9m 9m shooting Wng Wing shooting FB Fastbreak sh. 7m 7m penalty sh.
Brk. Breakthrough sh. LD Long distance sh. As. Assists PC Pass clear chance E7 Earned 7m pen. TF Technical faults St. Steals
2m 2m punishments C7. Committed 7m E2 Earned 2m pun. YC. Yellow cards R/B Red/Blue cards Blk. Blocks S Starting Line-up

Handball statistics and livescore by Toma-soft ltd (www.toma-soft.hr)



24th IHF Men's Junior (U21) World Championship

Germany / Greece

Final Round, 29-32. place



Match Team Statistics

Match No. 101

Costa Rica 32 - 35 Libya

(12 - 16) (20 - 19)

29.6.2023. 15:45

Attendance: 347

Swiss Life Hall

Referees: Ahmad Gheisarian (IRI) / Amir Gheisarian (IRI)

Libya

#	Surname and name	S	Goals / shots								Attack				Def.			Penalties			TP				
			Tot.	%	9m	6m	Wing	7m	FB	Brk.	LD	As.	PC	E7	E2	TF	St.	C7	Blk	YC		2m	R	B	
2	ELAHRASH Khalid		0/1	0		0/1																			19:07
5	ABDULLAH Buojaylah	S	4/5	80	0/1	1/1																			46:56
9	ALSHUWAYHIDI Mohammed		5/9	56	4/6	0/1																			59:45
10	HIREEBISH Abdullah	S	4/7	57	0/1																				38:18
11	IRWAYHAH Wael	S	8/10	80	0/1	2/2	3/3	0/1	3/3																47:15
12	GHAROR Yousef	S																							22:31
13	YAHY Muetazballah																								11:20
14	ALI Hammam		0/1	0	0/1																				5:19
15	ALSHIBLI Muwayyid	S	3/5	60		1/1	0/2		2/2																33:59
16	ALABASI Abd Alraouf	S																							37:20
33	SHATSHOUT Almuntasir		3/3	100	1/1				1/1																8:42
35	ABDULJALIL Mohammed		0/1	0																					12:37
77	SAEID Mahmoud		0/3	0	0/1																				7:50
88	GHAREEBAH Aryn		0/3	0	0/1	0/1	0/1																		26:16
99	ABDALLA Ahmed	S	8/9	89	7/7		1/1																		42:45
Team / bench																									
UKUPNO			35/57	61	12/20	4/7	4/7	2/3	5/5	8/15	0/0	9	5	3	1	18	7	1	0	0	3	0	0		

#	Surname and name	Saves / shots								
		Tot.	%	9m	6m	Wing	7m	FB	Brk.	LD
12	GHAROR Yousef	7/20	35	3/5	0/2	2/6				2/7
16	ALABASI Abd Alraouf	10/28	36	4/6	0/5	2/6	0/1	1/3	3/7	
TOTAL		17/48	35	7/11	0/7	4/12	0/1	1/3	5/14	0/0

Coach: Hedi Guiga

Number of attacks: 71, Efficiency: 49%, Average Duration: 26.38 seconds

Attack by type of defense

	Shots	9m	6m	Wing	TF	E7	E2
On def. 6-0	2/3	2/2	0/0	0/1	1	0	0
On def. 5-1	10/21	3/5	2/4	1/2	9	2	0
On def. 3-2-1	14/23	7/13	2/3	2/3	8	1	0
On def. press.	1/1	0/0	0/0	0/0	0	0	1
Fastbreak	5/5				0	0	0

Defense by type

	Total	9m	6m	Wing	Stl.	C7	2m
Def. 6-0	16/26	3/8	3/3	3/7	0	1	1
Def. 5-1	9/18	1/5	4/4	2/4	7	0	2
Fastbreak	2/3				0	0	0

Attack with superiority / minority / goalkeeper out

	Attack				Reaction		
	Att.	Eff.	Shots	TF	FB	LD	Tot.
7 on 6 (GK out)	1	100%	1/1	0	0/0	0/0	0/0
6 on 6 (GK out)	1	100%	1/1	0	0/0	1/1	1/1
6 on 6	64	47%	30/47	17			
5 on 6	5	60%	3/4	1			

Player superiority / GK out counted at the end of attack (in case it changes during attack)

Defense with superiority / minority / goalkeeper out

	Attack				Reaction		
	Att.	Eff.	Shots	TF	FB	LD	Tot.
6 on 6	62	44%	27/44	18			
6 on 5	9	56%	5/8	1			

Numbers show attacking numbers of opponent. Lower efficiency of opponent means better defense of this team

Jersey number Tot. Total shooting 6m 6m (line) shooting 9m 9m shooting Wng Wing shooting FB Fastbreak sh. 7m 7m penalty sh.
 Brk. Breakthrough sh. LD Long distance sh. As. Assists PC Pass clear chance E7 Earned 7m pen. TF Technical faults St. Steals
 2m 2m punishments C7. Committed 7m E2 Earned 2m pun. YC. Yellow cards R/B Red/Blue cards Blk. Blocks S Starting Line-up



24th IHF Men's Junior (U21) World Championship

Germany / Greece
Final Round, 29-32. place



Match Team Statistics

Match No. 101

Costa Rica 32 - 35 Libya

(12 - 16) (20 - 19)

29.6.2023. 15:45

Attendance: 347

Swiss Life Hall

Referees: Ahmad Gheisarian (IRI) / Amir Gheisarian (IRI)

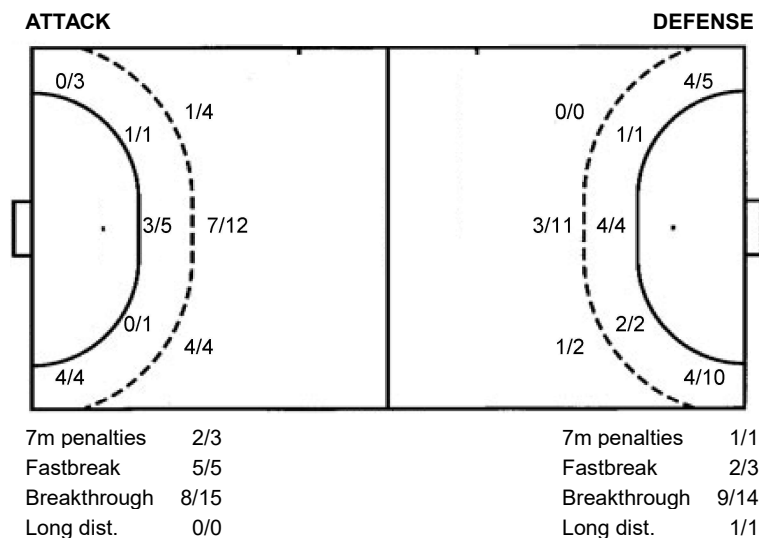
Shot distribution by player

2 K. Elahrash	5 B. Abdullah	9 M. Alshuwayhidi	10 A. Hireebish	11 W. Irwayhah	13 M. Yahy	14 H. Ali
0/1	0/1	0/1 1/1	0/1 1/2	1/1 3/4 1/2		0/1
1/1	4/4	1/1 1/2	1/2 1/1 1/1	3/3 lob		
1 miss.		1 miss. 1 block				
15 M. Alshibli	33 A. Shatshout	35 M. Abduljalil	77 M. Saeid	88 A. Ghareebah	99 A. Abdalla	TOTAL
1/2 1/1	1/1 2/2	0/1	0/1	0/1 0/1	1/1 2/2	0/1 1/1 1/1
1/1			2 miss.	1 miss.	4/4	2/3 1/3 2/4
1 miss.					1 post	10/12 5/8 10/14
						1 post 5 miss. 1 block 3/3 lob

Saves distribution goalkeepers

12 Y. Gharor	16 A. Alabasi	TOTAL
0/3	0/1 2/2 0/1	0/1 2/2 0/4
1/1 1/1 2/2	0/1 1/1 3/3	1/2 2/2 5/5
1/1 1/1 1/9	2/13 2/6	3/14 1/1 3/15

Shots by position



Shooting statistics

Position	Goals	Sav.	Miss.	Post	Blk.	Total	%
Back (9m)	12	5	2	0	1	20	60
Line (6m)	4	2	1	0	0	7	57
Wing	4	2	1	0	0	7	57
7m penalties	2	1	0	0	0	3	67
Fastbreak	5	0	0	0	0	5	100
Breakthrough	8	5	1	1	0	15	53
Total	35	15	5	1	1	57	61

Jersey number Tot. Total shooting 6m 6m (line) shooting 9m 9m shooting Wng Wing shooting FB Fastbreak sh. 7m 7m penalty sh.
 Brk. Breakthrough sh. LD Long distance sh. As. Assists PC Pass clear chance E7 Earned 7m pen. TF Technical faults St. Steals
 2m 2m punishments C7. Committed 7m E2 Earned 2m pun. YC. Yellow cards R/B Red/Blue cards Blk. Blocks S Starting Line-up



24th IHF Men's Junior (U21) World Championship

Germany / Greece

Final Round, 29-32. place



Match Team Statistics

Match No. 101

Costa Rica 32 - 35 Libya

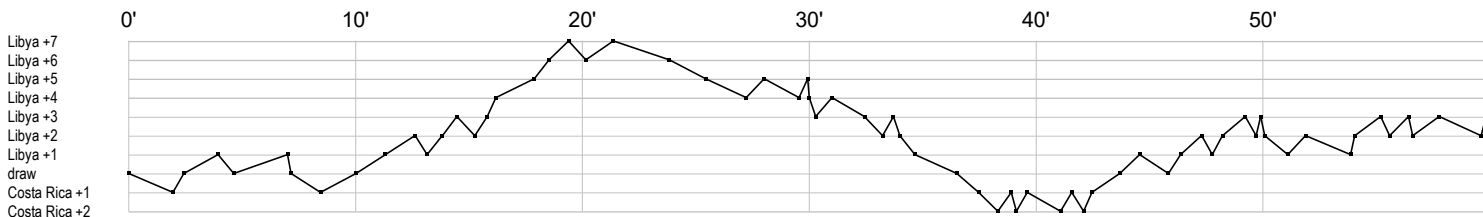
(12 - 16) (20 - 19)

29.6.2023. 15:45

Attendance: 347

Swiss Life Hall

Referees: Ahmad Gheisarian (IRI) / Amir Gheisarian (IRI)



Costa Rica

1 Campos Ruiz	r r ss r s r r r r r r			rs r r r r
2 Lara Martínez	tg	g fc		t g
3 Acuna				f a a t pg a
4 Suárez		g a	t g p	
5 Montero Arce			t	
6 Vargas Alfaro		g t	f f t g g f g pa	a t g
8 Saborío Calvo	g t			a a g p
9 Suárez	p f a p f a	t a f	f p f	g bg t e a ag g f g f a b f a x f
10 García				
11 Cubero			ba	g f p g g
14 Solís Leal J				
15 Montoya	f f		t g f	f t g f t
16 Gómez Viales		t sr r r sr s	r s r r s s r s r r	rsr r r s r r r r sr s
17 Trujillo	t ia	t t f t		
19 Cantarero	g bg a	f	g i g c g g g	g c g

Libya

2 Elahrash K		b	f	e
5 Abdullah B				g g e t g t f
9 Alshwayhidi	p	g t fb	g g f t	2 p g f g f g f
10 Hireebish A		f p g bg b a ²	b a	t g pf g f a a t
11 Inwayhah W	b 2	p	g t gbg t fg	t f g g g g
12 Gharor Y				r r sr s s r sr rr r s r rs r s f
13 Yahy M				
14 Ali H			f	
15 Alshibli M	f t f		g g g	c
16 Alabasi A	r s r s t sr r	r sa r as s asr s	sr r r	r r r r r str r r
33 Shatshout A				g t gt g
35 Abduljalil M			t a t f t	
77 Saeid M			f f f	
88 Ghareebah A				f f f
99 Abdalla A	g g t	g	e	a g g g f g g

In game	g Goal scored	f Missed shot	a Assist	t Technical faults	b Steal
2 2min suspension	e Earned 7m	c Committed 7m	y Yellow card	r Red Card	k Blue card
i Earned 2min.	x Block	4 4min suspension	p Pass for clear chance	s Saved shot	r Received goal