



# Campeonato Handball SCA Clubes Masculino 2026

Group B, 3. round



Detailed statistics

## FMO Portugues 23 - 23 Nacional

(11 - 16) (12 - 7)

23.6.2026. 19:00

Attendance: 312

CEO (Asunción)

Referees:

### FMO Portugues

Players		Goals / attempts									Attack				Defense			Disciplinary					
#	Surname and name	Tot.	%	9m	6m	Wng.	7m	FB	Brk.	LD	As.	PC	E7	E2	Tr.	St.	C7	Blk	YC	2m	RC	BC	
1	DOS SANTOS Maik																						
2	CATARINO Ronaldo	5/5	100			4/4		1/1			1				1								
3	DA SLLVA Luan	5/7	71				4/4		1/3		1						1				1		
4	COUTINHO Kaua	2/4	50	1/2					0/1	1/1				2									
6	GÓMEZ Gabriel	4/11	36	1/8					3/3		2		1	1	1							1	
8	SANTOS Carlos										2			1		1						1	
10	DA SILVA Kaique	3/7	43	2/3	1/1			0/2	0/1		2	1	1	1	4		1						
11	RODRIGUEZ Jhonatan																						
13	BRAZ Felipe	0/1	0							0/1												1	
15	SIQUIERA George														1	2							
16	FERREIRA SILVA Gerson	0/1	0							0/1													
17	DOS SANTOS Marcelo																						
19	MEDEIROS Matheus	1/2	50	1/1					0/1						1								
21	LANGARO Davi	0/1	0	0/1							1	1			1								
22	TEIXEIRA Vinicius	3/3	100		3/3								1		1		1	1	1				
88	RIBEIRO Joao	0/1	0		0/1																		
	Team / bench																						
	<b>TOTAL</b>	<b>23/43</b>	<b>53</b>	<b>5/15</b>	<b>4/5</b>	<b>4/4</b>	<b>4/4</b>	<b>1/3</b>	<b>4/9</b>	<b>1/3</b>	<b>9</b>	<b>2</b>	<b>3</b>	<b>5</b>	<b>10</b>	<b>3</b>	<b>3</b>	<b>1</b>	<b>2</b>	<b>3</b>	<b>0</b>	<b>0</b>	

Goalkeepers		Saves / shots								
#	Surname and name	Tot.	%	9m	6m	Wng.	7m	FB	Brk.	
1	DOS SANTOS Maik	9/25	36	7/11	1/2	1/4	0/1	0/3	0/4	
16	FERREIRA SILVA Gerson	0/7	0	0/1		0/2	0/1	0/2	0/1	
88	RIBEIRO Joao									
	<b>TOTAL</b>	<b>9/32</b>	<b>28</b>	<b>7/12</b>	<b>1/2</b>	<b>1/6</b>	<b>0/2</b>	<b>0/5</b>	<b>0/5</b>	

Coach: Andre Goncalvez

### Attack

	Shooting	9m	6m	Wing	Trn.	Ear. 7m	Ear. 2m.
On defense 6-0	17/31	5/14	4/5	4/4	10	2	5
On defense pressing	0/2	0/1	0/0	0/0	0	1	0
In transition	1/3				0	0	0

### Defense

	Shooting	9m	6m	Wing	Steals	Cm. 7m.	2m
Defense 6-0	16/33	5/17	1/3	5/7	3	3	3
In transition	5/6				0	0	0

### Shooting statistics

Position	Goals	Saved	Missed	Post	Blocked	Total	%
Back (9m)	5	5	3	1	1	15	33
Line (6m)	4	1	0	0	0	5	80
Wing	4	0	0	0	0	4	100
7m penalties	4	0	0	0	0	4	100
Fastbreak	1	2	0	0	0	3	33
Breakthrough	4	5	0	0	0	9	44
<b>Total</b>	<b>22</b>	<b>13</b>	<b>3</b>	<b>1</b>	<b>1</b>	<b>40</b>	<b>55</b>

# Jersey Tot. Goals/Attempts 6m Shooting 6m 9m Shooting 9m Wng. Shooting wing FB Fastbreak 7m 7m penalties  
 Brk Breakthrough LD Long distance As. Assists PC Pass clear chance E7 Earned 7m Tr. Turnovers St. Steals  
 2m 2m suspensions C7 Committed 7m E2 Earned 2m sus. YC Yellow cards RC Red card BC Blue card Blk. Blocked shots

Detailed statistics

### FMO Portugues 23 - 23 Nacional

(11 - 16) (12 - 7)

23.6.2026. 19:00

Attendance: 312

CEO (Asunción)

Referees:

#### Shot distribution

##### 2 R. Catarino

1/1		
1/1	1/1	1/1

1/1 lob

##### 3 L. Da Silva

0/1	0/1	1/1
		2/2
1/1	1/1	

##### 4 K. Coutinho

1/2	1/1	

1 miss.

##### 6 G. Gomez

1/2		
1/2	0/1	
1/1		1/1

1 post 2 miss. 1 block

##### 8 C. Santos


##### 10 K. Da Silva

1/1		
0/2	0/1	1/1
0/1		1/1

##### 11 J. Rodriguez


##### 13 F. Braz


1 miss.

##### 15 G. Siquiera


##### 17 M. Dos Santos


##### 19 M. Medeiros

		1/2

##### 21 D. Langaro

	0/1	

##### 22 V. Teixeira

1/1		1/1
		1/1

#### TOTAL

4/6	0/1	2/2
2/6	1/3	5/6
3/4	2/3	3/3

1 post 4 miss. 1 block 1/1 lob

#### Shot distribution goalkeepers

##### 1 M. Dos Santos

1/3	1/2	0/1
5/11		0/1
1/3	0/2	1/2

##### 16 G. Ferreira Silva

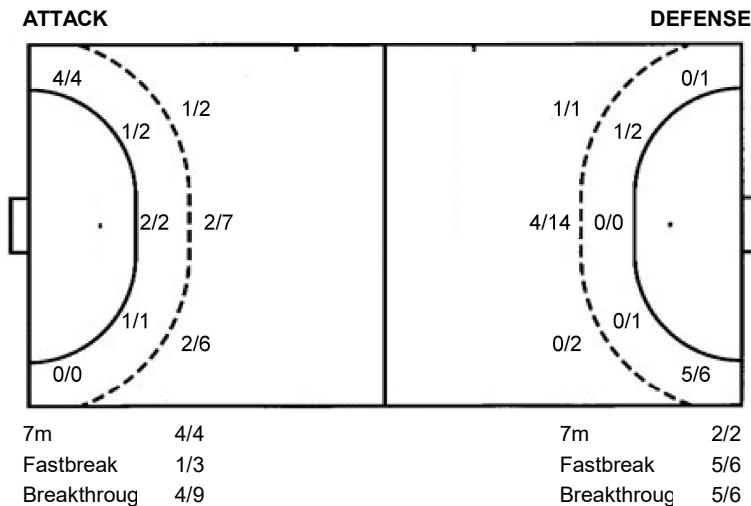
0/1		0/2
0/2		
	0/1	

##### 88 J. Ribeiro


#### TOTAL

1/4	1/2	0/3
5/13		0/1
1/3	0/3	1/2

#### Shots by position





# Campeonato Handball SCA Clubes Masculino 2026

Group B, 3. round



Detailed statistics

## FMO Portugues 23 - 23 Nacional

(11 - 16) (12 - 7)

23.6.2026. 19:00

Attendance: 312

CEO (Asunción)

Referees:

### Nacional

Players		Goals / attempts									Attack				Defense			Disciplinary					
#	Surname and name	Tot.	%	9m	6m	Wng.	7m	FB	Brk.	LD	As.	PC	E7	E2	Tr.	St.	C7	Blk	YC	2m	RC	BC	
1	DA ROSA Rangel										1	1											
2	SILVA Isaac	3/3	100		1/1	2/2																	
5	AQUINO Sydclbson	3/8	38	1/4				0/1	2/3		1	1		1	3	1					1		
6	CAZARIN Lukas	2/3	67			0/1			2/2						3		1						
7	ARAUJO Alvaro	6/8	75	0/1		3/4	2/2	1/1			2				1								
8	VIEIRA Rodrigo	0/1	0	0/1																			
9	SANTOS Lissandro	3/3	100					3/3					1	1	1	1							
10	TORRES Thiago	0/1	0	0/1											1			1					
12	ARAUJO Luis														1								
19	OLIVEIRA Nichollas	1/1	100						1/1						1								
22	FERREIRA Murillo												1										
23	SENA Jose																						
26	SILVA Lucas	2/4	50	2/4										1	1			1					
33	FLORES Joao	0/1	0		0/1													1			1	1	
44	ALVES MONTE DA SILVA Leandro	2/7	29	2/6	0/1						3		1		1						2	1	
88	MONTEIRO Guilherme	1/1	100					1/1													1		
	Team / bench																						
	<b>TOTAL</b>	<b>23/41</b>	<b>56</b>	<b>5/17</b>	<b>1/3</b>	<b>5/7</b>	<b>2/2</b>	<b>5/6</b>	<b>5/6</b>	<b>0/0</b>	<b>7</b>	<b>2</b>	<b>3</b>	<b>3</b>	<b>13</b>	<b>2</b>	<b>3</b>	<b>1</b>	<b>0</b>	<b>5</b>	<b>2</b>	<b>0</b>	

Goalkeepers		Saves / shots							
#	Surname and name	Tot.	%	9m	6m	Wng.	7m	FB	Brk.
1	DA ROSA Rangel	13/32	41	5/10	1/5	0/4	0/4	2/3	5/6
12	ARAUJO Luis	0/3	0						0/3
	<b>TOTAL</b>	<b>13/35</b>	<b>37</b>	<b>5/10</b>	<b>1/5</b>	<b>0/4</b>	<b>0/4</b>	<b>2/3</b>	<b>5/9</b>

Coach: **Francisco Monteiro**

### Attack

	Shooting	9m	6m	Wing	Trn.	Ear. 7m	Ear. 2m.
<b>On defense 6-0</b>	16/33	5/17	1/3	5/7	13	3	3
<b>In transition</b>	5/6				0	0	0

### Defense

	Shooting	9m	6m	Wing	Steals	Cm. 7m.	2m
<b>Defense 6-0</b>	17/31	5/14	4/5	4/4	2	2	5
<b>Defense pressing</b>	0/2	0/1	0/0	0/0	0	1	0
<b>In transition</b>	1/3				0	0	0

### Shooting statistics

Position	Goals	Saved	Missed	Post	Blocked	Total	%
<b>Back (9m)</b>	5	7	4	0	1	17	29
<b>Line (6m)</b>	1	1	1	0	0	3	33
<b>Wing</b>	5	1	1	0	0	7	71
<b>7m penalties</b>	2	0	0	0	0	2	100
<b>Fastbreak</b>	5	0	0	1	0	6	83
<b>Breakthrough</b>	5	0	1	0	0	6	83
<b>Total</b>	<b>23</b>	<b>9</b>	<b>7</b>	<b>1</b>	<b>1</b>	<b>41</b>	<b>56</b>

#	Jersey	Tot.	Goals/Attempts	6m	Shooting 6m	9m	Shooting 9m	Wng.	Shooting wing	FB	Fastbreak	7m	7m penalties
Brk	Breakthrough	LD	Long distance	As.	Assists	PC	Pass clear chance	E7	Earned 7m	Tr.	Turnovers	St.	Steals
2m	2m suspensions	C7	Committed 7m	E2	Earned 2m sus.	YC	Yellow cards	RC	Red card	BC	Blue card	Blk.	Blocked shots

Detailed statistics

### FMO Portugues 23 - 23 Nacional

(11 - 16) (12 - 7)

23.6.2026. 19:00

Attendance: 312

CEO (Asunción)

Referees:

#### Shot distribution

##### 2 I. Silva

1/1		1/1
	1/1	

##### 5 S. Aquino

0/1	0/1	
2/3		1/1

1 post 1 miss.

##### 6 L. Cazarin

1/1		
1/1		

1 miss.

##### 7 A. Araujo

	1/1	1/1
1/1		
1/2	1/1	1/2

##### 8 R. Vieira


1 miss.

##### 9 L. Santos

2/2		

1/1 lob

##### 10 T. Torres


1 miss.

##### 19 N. Oliveira

1/1		

##### 22 M. Ferreira


##### 23 J. Sena


##### 26 L. Silva

2/2		

1 miss. 1 block

##### 33 J. Flores


1 miss.

##### 44 L. Alves Monte Da Silva

		1/1
1/5		

1 miss.

##### 88 G. Monteiro

	1/1	

#### TOTAL

3/4	1/2	3/3
8/13		1/1
2/3	3/3	1/2

1 post 7 miss. 1 block 1/1 lob

#### Shot distribution goalkeepers

##### 1 R. Da Rosa

2/6	1/1	0/2
4/5	2/2	2/7
1/3	1/3	0/2

##### 12 L. Araujo

0/1		
0/1		0/1

#### TOTAL

2/6	1/1	0/2
4/6	2/2	2/7
1/4	1/3	0/3

#### Shots by position

