



23rd IHF Women's Junior (U20) World Championship

Slovenia (Celje and Laško)

Group B, 1. round



Match Team Statistics

Match No. 12

Iran 19 - 19 Guinea

(7 - 9) (12 - 10)

22.6.2022. 12:30

Attendance:

Arena Tri Lilije

Referees: Vesna Balvan (BIH) / Tatjana Prastalo (BIH)

Iran

#	Surname and name	S	Goals / shots									Attack					Def.			Penalties			TP					
			Tot.	%	9m	6m	Wing	7m	FB	Brk.	LD	As.	PC	E7	E2	TF	St.	C7	Blk	YC	2m	R		B				
4	MERIKHI Fatemeh		6/12	50	1/2		0/2	2/2				3/6			4	1	2	3	1		1							36:52
7	MOUSAZADEH Sara	S	0/1	0			0/1										1				1					1		37:39
8	KARIMI Haniyeh	S	5/11	45			3/6	1/4	1/1					1			1				2				2			58:33
9	HASSAN NEJADI Mobina		2/3	67	0/1																							19:29
11	BADVI Mehraban	S	2/4	50	0/2									2		1	1	1										47:08
12	YARMOHAMMADTOUSKI Elnaz																											8:00
19	DOKHAEI Hasti																											
24	HOSSEINI Seyed Leila		0/1	0				0/1																				1:09
26	GHARAKHANI DEHSORKHI Marziyeh	S																2										52:00
29	NOSOHI Shahrzad	S	0/1	0	0/1										1	1					1							34:06
31	DOLATI Samaneh																											
33	GHANBARI Masoumeh	S	2/2	100		2/2										1	1	1				1						51:37
39	RAHMANI Negin		1/3	33			1/2			0/1																1		23:45
64	ZENDEHBOUDI Negar	S	1/3	33	0/2	1/1									1	1		2										33:21
70	BARATPOUR Fatemeh		0/2	0		0/2																2						16:21
76	SHAHBAZI Maedeh																											
Team / bench																												
UKUPNO			19/43	44	1/8	3/5	4/11	3/7	1/2	7/10	0/0				7	3	6	7	11	0	5	3	0	4	0	0		

#	Surname and name	Saves / shots								
		Tot.	%	9m	6m	Wing	7m	FB	Brk.	LD
12	YARMOHAMMADTOUSKI Elnaz	0/2	0			0/1	0/1			
26	GHARAKHANI DEHSORKHI Marziyeh	10/27	37	2/6	2/3	5/11	0/4	1/1	0/2	
TOTAL		10/29	34	2/6	2/3	5/12	0/5	1/1	0/2	0/0

Coach: Gholamali Akbarabadi

Number of attacks: 51, Efficiency: 37%, Average Duration: 36.25 seconds

Attack by type of defense

	Shots	9m	6m	Wing	TF	E7	E2
On def. 6-0	8/22	1/6	1/2	2/8	9	6	7
On def. 5-1	7/12	0/2	2/3	2/3	2	0	0
Fastbreak	1/2				0	0	0

Defense by type

	Total	9m	6m	Wing	Stl.	C7	2m
Def. 6-0	14/34	4/16	1/3	7/12	0	3	4
Def. 5-1	0/1	0/0	0/0	0/1	0	2	0
Fastbreak	0/1				0	0	0

Attack with superiority / minority / goalkeeper out

	Attack				Reaction		
	Att.	Eff.	Shots	TF	FB	LD	Tot.
6 on 6	35	43%	15/28	7			
6 on 5	8	25%	2/6	2			
6 on 4	2	0%	0/2	0			
5 on 6	5	20%	1/3	2			
5 on 5	1	100%	1/1	0			

Player superiority / GK out counted at the end of attack (in case it changes during attack)

Defense with superiority / minority / goalkeeper out

	Attack				Reaction		
	Att.	Eff.	Shots	TF	FB	LD	Tot.
6 on 6 (GK out)	1	100%	1/1	0	0/0	0/0	0/0
6 on 6	37	35%	13/29	8			
5 on 6	6	17%	1/2	4			
4 on 6	1	0%	0/1	0			
6 on 5	6	50%	3/4	2			
5 on 5	1	100%	1/1	0			

Numbers show attacking numbers of opponent. Lower efficiency of opponent means better defense of this team

Jersey number Tot. Total shooting 6m 6m (line) shooting 9m 9m shooting Wng Wing shooting FB Fastbreak sh. 7m 7m penalty sh.
 Brk. Breakthrough sh. LD Long distance sh. As. Assists PC Pass clear chance E7 Earned 7m pen. TF Technical faults St. Steals
 2m 2m punishments C7. Committed 7m E2 Earned 2m pun. YC. Yellow cards R/B Red/Blue cards Blk. Blocks S Starting Line-up



23rd IHF Women's Junior (U20) World Championship

Slovenia (Celje and Laško)

Group B, 1. round



Match Team Statistics

Match No. 12

Iran 19 - 19 Guinea

(7 - 9) (12 - 10)

22.6.2022. 12:30

Attendance:

Arena Tri Lilije

Referees: Vesna Balvan (BIH) / Tatjana Prastalo (BIH)

Shot distribution by player

4 F. Merikhi

		1/1
1/4		
1/2	1/1	1/1

2 post 1/1 lob

7 S. Mousazadeh

0/1		

8 H. Karimi

0/1		2/4
2/2		1/3

1 miss.

9 M. Hassan Nejadi

		2/2

1 miss.

11 M. Badvi

0/1		
1/1	0/1	
1/1		

19 H. Dokhaei

24 S. Hosseini

1 post

29 S. Nosoohi

1 post

31 S. Dolati

33 M. Ghanbari

		1/1
1/1		

39 N. Rahmani

1/2		

1 post

64 N. Zendejboudi

		0/1
1/1		

1 miss.

70 F. Baratpour

		0/1
		0/1

76 M. Shahbazi

TOTAL

0/1		2/3
2/7	0/1	2/5
7/9	1/1	4/7

5 post 3 miss. 1/1 lob

Saves distribution goalkeepers

12 E. Yarmohammadtou

		0/1
		0/1

26 M. Gharakhani Dehsorkhi

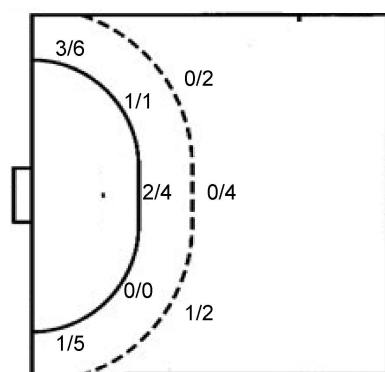
0/4	2/2	0/2
2/5	3/3	1/2
2/8		0/1

TOTAL

0/4	2/2	0/2
2/5	3/3	1/3
2/8		0/2

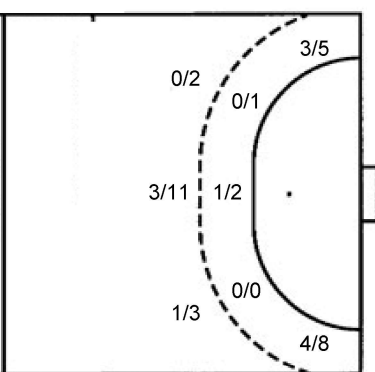
Shots by position

ATTACK



7m penalties 3/7
Fastbreak 1/2
Breakthrough 7/10
Long dist. 0/0

DEFENSE



7m penalties 5/5
Fastbreak 0/1
Breakthrough 2/3
Long dist. 0/0

Shooting statistics

Position	Goals	Sav.	Miss.	Post	Blk.	Total	%
Back (9m)	1	3	2	2	0	8	13
Line (6m)	3	2	0	0	0	5	60
Wing	4	6	0	1	0	11	36
7m penalties	3	2	1	1	0	7	43
Fastbreak	1	1	0	0	0	2	50
Breakthrough	7	2	0	1	0	10	70
Total	19	16	3	5	0	43	44

Jersey number Tot. Total shooting 6m 6m (line) shooting 9m 9m shooting Wng Wing shooting FB Fastbreak sh. 7m 7m penalty sh.
Brk. Breakthrough sh. LD Long distance sh. As. Assists PC Pass clear chance E7 Earned 7m pen. TF Technical faults St. Steals
2m 2m punishments C7. Committed 7m E2 Earned 2m pun. YC. Yellow cards R/B Red/Blue cards Blk. Blocks S Starting Line-up

Handball statistics and livescore by Toma-soft ltd (www.toma-soft.hr)



23rd IHF Women's Junior (U20) World Championship

Slovenia (Celje and Laško)

Group B, 1. round



U20 HANDBALL WORLD CHAMPIONSHIP SLOVENIA 2022

Match Team Statistics

Match No. 12

Iran 19 - 19 Guinea

(7 - 9) (12 - 10)

22.6.2022. 12:30

Attendance:

Arena Tri Lilije

Referees: Vesna Balvan (BIH) / Tatjana Prastalo (BIH)

Guinea

Players		Goals / shots									Attack					Def.			Penalties			TP			
#	Surname and name	S	Tot.	%	9m	6m	Wing	7m	FB	Brk.	LD	As.	PC	E7	E2	TF	St.	C7	Blk	YC	2m		R	B	
1	KABA Téninké	S																						0:59	
2	OULARE Bintou																								
3	DIARRA Fatoumata		3/8	38	2/6					1/2		3	1					1		1				43:44	
4	SYLLA Yarie		5/7	71	0/2			5/5						1	1	2						1		35:49	
5	TOLNO Sia Céline	S	3/7	43	1/4			1/1		0/1	1/1	1	1	3	1	3		2				1		34:00	
6	BARADJI Assa		3/5	60				3/5										1				1		51:38	
9	DIEYE Keisha	S																						3:30	
10	KONATE Mama																								
11	DIALLO Fatoumata Binta		3/7	43	0/1	0/1	3/5					1		1	1	2		1						43:29	
12	CAMARA Nioumangue		1/1	100	1/1											2						1		20:01	
13	CAMARA Bintou																								
14	YOULA M'mah																							3:39	
15	KOUROUMA M'mah	S	0/2	0	0/2							3	2			2						2		54:11	
18	SOUMAH Aminata	S	0/2	0			0/2											1						14:57	
22	NYAMY TCHAMY Meganne Daysie	S	1/2	50		1/2										3		1						55:46	
26	TUBANZA Anne Cécile	S																						58:17	
	Team / bench																								
	UKUPNO		19/41	46	4/16	1/3	7/13	5/5	0/1	2/3	0/0	8	4	5	3	14	0	7	0	1	6	0	0		

Goalkeepers		Saves / shots								
#	Surname and name	Tot.	%	9m	6m	Wing	7m	FB	Brk.	LD
1	KABA Téninké									
26	TUBANZA Anne Cécile	16/35	46	3/4	2/5	6/10	2/5	1/2	2/9	
	TOTAL	16/35	46	3/4	2/5	6/10	2/5	2/2	2/9	0/0

Coach: Jean-Louis Leblond

Number of attacks: 52, Efficiency: 37%, Average Duration: 33.47 seconds

Attack by type of defense

	Shots	9m	6m	Wing	TF	E7	E2
On def. 6-0	14/34	4/16	1/3	7/12	13	3	3
On def. 5-1	0/1	0/0	0/0	0/1	1	2	0
Fastbreak	0/1				0	0	0

Defense by type

	Total	9m	6m	Wing	Stl.	C7	2m
Def. 6-0	8/22	1/6	1/2	2/8	0	7	6
Def. 5-1	7/12	0/2	2/3	2/3	0	0	0
Fastbreak	1/2				0	0	0

Attack with superiority / minority / goalkeeper out

	Attack				Reaction		
	Att.	Eff.	Shots	TF	FB	LD	Tot.
6 on 6 (GK out)	1	100%	1/1	0	0/0	0/0	0/0
6 on 6	37	35%	13/29	8			
5 on 6	6	17%	1/2	4			
4 on 6	1	0%	0/1	0			
6 on 5	6	50%	3/4	2			
5 on 5	1	100%	1/1	0			

Player superiority / GK out counted at the end of attack (in case it changes during attack)

Defense with superiority / minority / goalkeeper out

	Attack				Reaction		
	Att.	Eff.	Shots	TF	FB	LD	Tot.
6 on 6	35	43%	15/28	7			
6 on 5	8	25%	2/6	2			
6 on 4	2	0%	0/2	0			
5 on 6	5	20%	1/3	2			
5 on 5	1	100%	1/1	0			

Numbers show attacking numbers of opponent. Lower efficiency of opponent means better defense of this team

Jersey number Tot. Total shooting 6m 6m (line) shooting 9m 9m shooting Wng Wing shooting FB Fastbreak sh. 7m 7m penalty sh.
 Brk. Breakthrough sh. LD Long distance sh. As. Assists PC Pass clear chance E7 Earned 7m pen. TF Technical faults St. Steals
 2m 2m punishments C7. Committed 7m E2 Earned 2m pun. YC. Yellow cards R/B Red/Blue cards Blk. Blocks S Starting Line-up

Handball statistics and livescore by Toma-soft ltd (www.toma-soft.hr)



23rd IHF Women's Junior (U20) World Championship

Slovenia (Celje and Laško)

Group B, 1. round



Match Team Statistics

Match No. 12

Iran 19 - 19 Guinea

(7 - 9) (12 - 10)

22.6.2022. 12:30

Attendance:

Arena Tri Lilije

Referees: Vesna Balvan (BIH) / Tatjana Prastalo (BIH)

Shot distribution by player

2 B. Oulare

3 F. Diarra

2/2		
1/2		

2 miss. 2 block

4 Y. Sylla

1/1		1/1
2/2		1/1

1 post 1 block

5 S. Tolno

1/1		
0/1		1/1
1/1		

2 miss. 1 block

6 A. Baradji

1/1	0/2	1/1
1/1		

9 K. Dieye

10 M. Konate

11 F. Diallo

1/2	0/1	0/1
1/1		1/1

1 post

12 N. Camara

1/1		

13 B. Camara

14 M. Youla

15 M. Kourouma

1 miss. 1 block

18 A. Soumah

	0/2	

22 M. Nyamy Tchamy

		1/1
0/1		

TOTAL

4/4	0/2	2/2
3/5	0/3	2/3
6/8		2/2

2 post 5 miss. 5 block

Saves distribution goalkeepers

1 T. Kaba

26 A. Tubanza

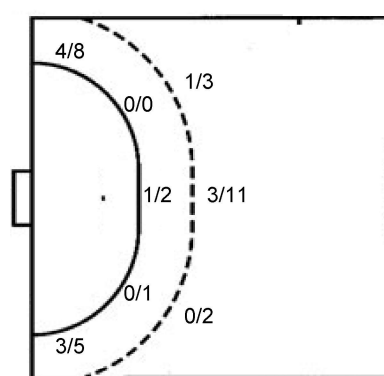
1/1		1/3
5/7	1/1	3/5
2/9	0/1	3/7

TOTAL

1/1		1/3
5/7	1/1	3/5
2/9	0/1	3/7

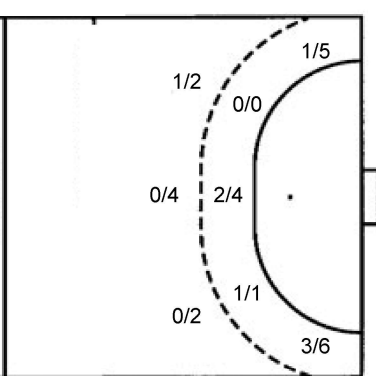
Shots by position

ATTACK



7m penalties 5/5
Fastbreak 0/1
Breakthrough 2/3
Long dist. 0/0

DEFENSE



7m penalties 3/7
Fastbreak 1/2
Breakthrough 7/10
Long dist. 0/0

Shooting statistics

Position	Goals	Sav.	Miss.	Post	Blk.	Total	%
Back (9m)	4	2	4	1	5	16	25
Line (6m)	1	2	0	0	0	3	33
Wing	7	5	0	1	0	13	54
7m penalties	5	0	0	0	0	5	100
Fastbreak	0	1	0	0	0	1	0
Breakthrough	2	0	1	0	0	3	67
Total	19	10	5	2	5	41	46

Jersey number Tot. Total shooting 6m 6m (line) shooting 9m 9m shooting Wng Wing shooting FB Fastbreak sh. 7m 7m penalty sh.
Brk. Breakthrough sh. LD Long distance sh. As. Assists PC Pass clear chance E7 Earned 7m pen. TF Technical faults St. Steals
2m 2m punishments C7. Committed 7m E2 Earned 2m pun. YC. Yellow cards R/B Red/Blue cards Blk. Blocks S Starting Line-up

Handball statistics and livescore by Toma-soft ltd (www.toma-soft.hr)



23rd IHF Women's Junior (U20) World Championship

Slovenia (Celje and Laško)

Group B, 1. round



Match Team Statistics

Match No. 12

Iran 19 - 19 Guinea

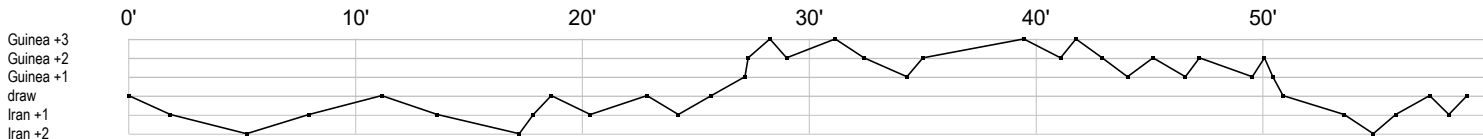
(7 - 9) (12 - 10)

22.6.2022. 12:30

Attendance:

Arena Tri Lilije

Referees: Vesna Balvan (BIH) / Tatjana Prastalo (BIH)



Iran

4 Merikhi F	i	e	ia	f	f	g	f	pg	iea	t	a	g	g	f	a	g	f	gc			
7 Mousazadeh	i							2c		f											
8 Karimi H	g	f	f	f2	f	g	c	2	f	f	g	c	g		g		a	i			
9 Hassan					g	g	t	t									f				
11 Badvi M	g	i	f								a	f	a	g				e	t		
12 Yarmohammad					r	r															
19 Dokhaei H																					
24 Hosseini S				f																	
26 Charakhani	s	s	tsr	s	r				rr	r	s	tr	s	s	r	r	r	s	r	r	r
29 Nosoghi S	p	f		c					e												
31 Dolati S																					
33 Ghanbari M	x					ie	t						g								
39 Rahmani N										2	f		t	f							
64 Zendeboodi	t	p	g	e	f	t															
70 Baratpour F													x	f						x	f
76 Shahbazi M																					

Guinea

1 Kaba T																							
2 Oulare B																							
3 Diarra F	p	y	f	g	c	g	f	a	f				g	a	f	a							
4 Sylla Y				g					f	g	eg	i	t			t	g	f					
5 Tolno S	t	e											g	f	i	f	e	a	t				
6 Baradji A													g				2c						
9 Dieye K																							
10 Konate M																							
11 Diallo F				fc					g	ie	g	f	g	f						t	f	a	
12 Camara N																							
13 Camara B																							
14 Youla M																							
15 Kourouma M	f	p	t	2					a	a			t	a	p						f	2	
18 Soumah A	c	f		f																			
22 Nyamy																							
26 Tubanza A	r	r	s	s	s	r	r	s	r	ss	r	s	r	sr	s	r	s	r	r	r	r	ss	r

In game	g Goal scored	f Missed shot	a Assist	t Technical faults	b Steal
2 2min suspension	e Earned 7m	c Committed 7m	y Yellow card	r Red Card	k Blue card
i Earned 2min.	x Block	4 4min suspension	p Pass for clear chance	s Saved shot	r Received goal