



2021 IHF Men's Super Globe
Saudi Arabia (Jeddah)
Final



Match Team Statistics
Match No. 16

SC Magdeburg 33 - 28 Barcelona
(19 - 16) (14 - 12)

9.10.2021. 20:30
Attendance: 3257
King Abdullah Sport City Hall

Referees: Matija Gubica (CRO) / Boris Milosevic (CRO)

SC Magdeburg

| Players | | Goals / shots | | | | | | | | | Attack | | | | | Def. | | | Penalties | | | TP | | | |
|---------|----------------------|---------------|-------|-----|------|-----|------|-----|-----|-------|--------|-----|----|----|----|------|-----|----|-----------|----|----|----|---|--|-------|
| # | Surname and name | S | Tot. | % | 9m | 6m | Wing | 7m | FB | Brk. | LD | As. | PC | E7 | E2 | TF | St. | C7 | Blk | YC | 2m | R | B | | |
| 1 | JENSEN Mike | | | | | | | | | | | | | | | | | | | | | | | | 0:44 |
| 3 | CHRAPKOWSKI Piotr | S | | | | | | | | | | | | | | | | 2 | | | | | | | 25:34 |
| 10 | KRISTJANSSON Gisli | | | | | | | | | | | | | | | | | | | | | | | | 2:49 |
| 11 | PETTERSON Daniel | S | 2/4 | 50 | | | 2/4 | | | | | 1 | | | | | | | | | | | | | 30:00 |
| 14 | MAGNUSSON Omar Ingi | S | 7/11 | 64 | 2/3 | | | 1/2 | | 4/6 | | 3 | 1 | | 1 | 1 | | | | | | | | | 48:05 |
| 16 | GREEN Jannick | S | | | | | | | | | | | | | | | | | | | | | | | 57:29 |
| 17 | HORNKE Tim | | 1/4 | 25 | | | 1/3 | | 0/1 | | | | | | | | | | | | | | | | 24:31 |
| 20 | WEBER Phillip | | 5/5 | 100 | | | | | | 5/5 | | 1 | 1 | | 1 | 1 | | 1 | | | | | | | 15:39 |
| 21 | GULLERUD Magnus | S | 1/2 | 50 | | 1/2 | | | | | | | | 1 | | | | | | | | | | | 23:56 |
| 22 | MERTENS Lukas | S | 4/7 | 57 | | | 4/6 | | 0/1 | | | 1 | | | | | | | | | | | | | 56:17 |
| 23 | SAUGSTRUP Magnus | | 4/5 | 80 | | 2/3 | 1/1 | | 1/1 | | | | 1 | | | | 1 | | 1 | | | | | | 37:17 |
| 24 | O'SULLIVAN Christian | S | 1/1 | 100 | | | | | | 1/1 | | | | | | | | 1 | | 1 | | | | | 27:23 |
| 25 | BEZJAK Marko | | 2/2 | 100 | | 1/1 | | | | 1/1 | | 1 | | 1 | 3 | | | | | | | | | | 34:00 |
| 31 | SMITS Kay | | 1/3 | 33 | 0/2 | | | | | 1/1 | | | | | | | | | 1 | | | | | | 10:01 |
| 34 | DAMGAARD Michael | | 4/9 | 44 | 2/7 | | | | | 2/2 | | 1 | 2 | | 1 | | | | | | | | | | 25:05 |
| 95 | PREUSS Moritz | | 1/2 | 50 | | 1/2 | | | | | | | | | | | | | | | | | | | 1:10 |
| | Team / bench | | | | | | | | | | | | | | | | | | | | | | | | |
| | UKUPNO | | 33/55 | 60 | 4/12 | 5/8 | 8/14 | 1/2 | 1/3 | 14/16 | 0/0 | 8 | 5 | 2 | 3 | 5 | 1 | 5 | 1 | 0 | 2 | 0 | 0 | | |

| Goalkeepers | | Saves / shots | | | | | | | | |
|-------------|------------------|---------------|-----|------|------|------|-----|-----|------|-----|
| # | Surname and name | Tot. | % | 9m | 6m | Wing | 7m | FB | Brk. | LD |
| 1 | JENSEN Mike | 1/1 | 100 | | | | 1/1 | | | |
| 16 | GREEN Jannick | 14/42 | 33 | 6/15 | 6/11 | 2/8 | 0/3 | | 0/5 | |
| | TOTAL | 15/43 | 35 | 6/15 | 6/11 | 2/8 | 1/4 | 0/0 | 0/5 | 0/0 |

Coach: Bennet Wiegert

Number of attacks: 60, Efficiency: 55%, Average Duration: 35.2 seconds

Attack by type of defense

| | Shots | 9m | 6m | Wing | TF | E7 | E2 |
|---------------|-------|-----|-----|------|----|----|----|
| On def. 6-0 | 27/40 | 4/8 | 5/7 | 7/12 | 3 | 2 | 3 |
| On def. 5-1 | 4/9 | 0/4 | 0/1 | 1/1 | 1 | 0 | 0 |
| On def. 3-2-1 | 0/1 | 0/0 | 0/0 | 0/1 | 1 | 0 | 0 |
| Fastbreak | 1/3 | | | | 0 | 0 | 0 |

Defense by type

| | Total | 9m | 6m | Wing | Stl. | C7 | 2m |
|-----------|-------|------|------|------|------|----|----|
| Def. 6-0 | 25/44 | 9/17 | 5/13 | 6/9 | 1 | 5 | 2 |
| Fastbreak | 0/0 | | | | 0 | 0 | 0 |

Attack with goalkeeper out

| | Attack | | | | Reaction | | |
|-------|--------|------|-------|----|----------|-----|------|
| | Att. | Eff. | Shots | TF | FB | LD | Tot. |
| GK in | 60 | 55% | 33/55 | 5 | 0/0 | 0/0 | 0/0 |

GK out attack is counted if one part or whole attack was GK out

Defense with opponent goalkeeper out

| | Attack | | | | Reaction | | |
|-------|--------|------|-------|----|----------|-----|------|
| | Att. | Eff. | Shots | TF | FB | LD | Tot. |
| GK in | 60 | 47% | 28/49 | 12 | 1/3 | 0/0 | 1/3 |

Defense with player superiority/minority

| | Attack | | | | Reaction | | |
|----------------|--------|------|-------|----|----------|-----|------|
| | Att. | Eff. | Shots | TF | FB | LD | Tot. |
| Minority -1 | 4 | 50% | 2/6 | 0 | 0/0 | 0/0 | 0/0 |
| Normal | 45 | 44% | 20/33 | 11 | 1/3 | 0/0 | 1/3 |
| Superiority +1 | 6 | 17% | 1/5 | 1 | 0/0 | 0/0 | 0/0 |

Attack with player superiority/minority

| | Attack | | | | Reaction | | |
|----------------|--------|------|-------|----|----------|-----|------|
| | Att. | Eff. | Shots | TF | FB | LD | Tot. |
| Superiority +1 | 6 | 83% | 5/6 | 0 | 0/0 | 0/0 | 0/0 |
| Normal | 45 | 42% | 19/40 | 5 | 0/0 | 0/0 | 0/0 |
| Minority -1 | 4 | 100% | 4/4 | 0 | 0/0 | 0/0 | 0/0 |

Player superiority counted at the end of attack (in case it changes during attack)

Jersey number Tot. Total shooting 6m 6m (line) shooting 9m 9m shooting Wng. Wing shooting FB Fastbreak sh. 7m 7m penalty sh.
Brk. Breakthrough sh. LD Long distance sh. As. Assists PC Pass clear chance E7 Earned 7m pen. TF Technical faults St. Steals
2m 2m punishments C7. Committed 7m E2 Earned 2m pun. YC. Yellow cards R/B Red/Blue cards Blk. Blocks S Starting Line-up



2021 IHF Men's Super Globe
Saudi Arabia (Jeddah)
 Final



Match Team Statistics
 Match No. 16

SC Magdeburg 33 - 28 Barcelona
 (19 - 16) (14 - 12)

9.10.2021. 20:30
 Attendance: 3257
 King Abdullah Sport City Hall

Referees: Matija Gubica (CRO) / Boris Milosevic (CRO)

Shot distribution by player

3 P. Chrapkowski

| | | |
|--|--|--|
| | | |
| | | |
| | | |

10 G. Kristjansson

| | | |
|--|--|--|
| | | |
| | | |
| | | |

11 D. Petterson

| | | |
|-----|-----|--|
| | 1/2 | |
| | | |
| 1/1 | | |

1 post

14 O. Magnusson

| | | |
|-----|-----|-----|
| 1/2 | 1/1 | |
| 1/2 | | 1/1 |
| 1/1 | 1/1 | 1/1 |

1 post 1 miss.

17 T. Hornke

| | | |
|-----|-----|-----|
| 0/1 | | |
| | | 1/1 |
| | 0/1 | |

1 post

20 P. Weber

| | | |
|-----|--|-----|
| | | |
| 1/1 | | 1/1 |
| 3/3 | | |

21 M. Gullerud

| | | |
|-----|--|-----|
| | | |
| | | |
| 0/1 | | 1/1 |

22 L. Mertens

| | | |
|-----|-----|-----|
| | | 1/1 |
| 0/1 | 1/1 | 1/1 |
| | 0/2 | 1/1 |

23 M. Saugstrup

| | | |
|--|-----|-----|
| | 1/1 | |
| | | |
| | 1/1 | 1/1 |

1 miss.

24 C. O'sullivan

| | | |
|--|--|-----|
| | | |
| | | |
| | | 1/1 |

25 M. Bezjak

| | | |
|--|-----|--|
| | 2/2 | |
| | | |
| | | |

31 K. Smits

| | | |
|-----|--|-----|
| 0/1 | | |
| | | |
| | | 1/2 |

34 M. Damgaard

| | | |
|-----|--|-----|
| 1/2 | | |
| 0/3 | | 1/2 |
| 1/1 | | 1/1 |

95 M. Preuss

| | | |
|-----|--|--|
| | | |
| 0/1 | | |
| 1/1 | | |

TOTAL

| | | |
|-----|-----|-----|
| 2/6 | 5/6 | 1/1 |
| 2/8 | 1/1 | 5/6 |
| 7/8 | 2/5 | 7/8 |

3 post 2 miss.

Saves distribution goalkeepers

1 M. Jensen

| | | |
|--|-----|--|
| | | |
| | | |
| | 1/1 | |

16 J. Green

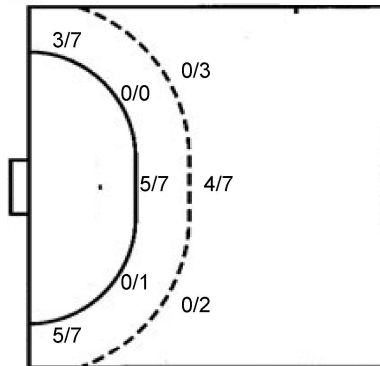
| | | |
|------|-----|------|
| 1/8 | 1/1 | 0/1 |
| 3/6 | | 0/1 |
| 6/10 | 1/4 | 2/11 |

TOTAL

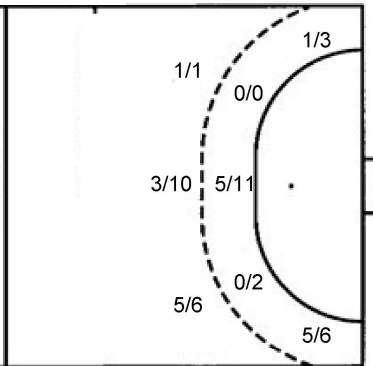
| | | |
|------|-----|------|
| 1/8 | 1/1 | 0/1 |
| 3/6 | | 0/1 |
| 6/10 | 2/5 | 2/11 |

Shots by position

ATTACK



DEFENSE



7m penalties 1/2
 Fastbreak 1/3
 Breakthrough 14/16
 Long dist. 0/0

7m penalties 3/5
 Fastbreak 0/0
 Breakthrough 5/5
 Long dist. 0/0

Shooting statistics

| Position | Goals | Sav. | Miss. | Post | Blk. | Total | % |
|--------------|-----------|-----------|----------|----------|----------|-----------|-----------|
| Back (9m) | 4 | 8 | 0 | 0 | 0 | 12 | 33 |
| Line (6m) | 5 | 2 | 1 | 0 | 0 | 8 | 63 |
| Wing | 8 | 5 | 0 | 1 | 0 | 14 | 57 |
| 7m penalties | 1 | 1 | 0 | 0 | 0 | 2 | 50 |
| Fastbreak | 1 | 1 | 0 | 1 | 0 | 3 | 33 |
| Breakthrough | 14 | 0 | 1 | 1 | 0 | 16 | 88 |
| Total | 33 | 17 | 2 | 3 | 0 | 55 | 60 |



2021 IHF Men's Super Globe
Saudi Arabia (Jeddah)
 Final



Match Team Statistics
 Match No. 16

SC Magdeburg 33 - 28 Barcelona
 (19 - 16) (14 - 12)

9.10.2021. 20:30
 Attendance: 3257
 King Abdullah Sport City Hall

Referees: Matija Gubica (CRO) / Boris Milosevic (CRO)

Barcelona

| Players | | Goals / shots | | | | | | | | | Attack | | | | | Def. | | | Penalties | | | TP | | |
|---------|----------------------------------|---------------|-------|-----|------|------|------|-----|-----|------|--------|-----|----|----|----|------|-----|----|-----------|----|----|----|---|-------|
| # | Surname and name | S | Tot. | % | 9m | 6m | Wing | 7m | FB | Brk. | LD | As. | PC | E7 | E2 | TF | St. | C7 | Blk | YC | 2m | | R | B |
| 1 | PEREZ DE VARGAS MORENO Gonzalo | S | | | | | | | | | | | | | | | | | | | | | | 58:08 |
| 10 | MEM Dika Akwa | S | 10/14 | 71 | 6/10 | 1/1 | | | | 3/3 | | 3 | 2 | 2 | | 2 | | | | | | | | 55:04 |
| 13 | ARINO BENGOCHEA Aitor | S | 1/1 | 100 | | | 1/1 | | | | | 1 | | | | | | | | | | | | 47:42 |
| 18 | JANC Blaz | | 1/1 | 100 | | | 1/1 | | | | | | | | | | | | | | | | | 5:43 |
| 19 | N GUESSAN Timothy Germain Joseph | | 0/1 | 0 | 0/1 | | | | | | | | | 1 | | | | | | | | | | 19:09 |
| 20 | GOMEZ ABELLO Aleix | S | 7/11 | 64 | | 0/1 | 4/5 | 3/5 | | | | | | | | | | | | | | | | 53:18 |
| 22 | GONCALVES Thiago Petrus | | | | | | | | | | | | | | | | | | | | | 1 | | 26:24 |
| 32 | FERNANDEZ PEREZ Angel | S | 0/2 | 0 | | | 0/2 | | | | | | | | | | | | | | | | | 7:05 |
| 33 | PARERA IBANEZ Artur | | | | | | | | | | | | | | | | | | | | | | | |
| 35 | MAKUC Domen | S | 3/3 | 100 | 1/1 | | | | | 2/2 | | 1 | 3 | 1 | 1 | 4 | | | | | | | | 25:20 |
| 37 | INOUE LANGARO Haniel Vinicius | S | 2/3 | 67 | 2/3 | | | | | | | 1 | | | | 2 | | | | | | | | 14:37 |
| 40 | MACIEL Leonel Carlos Sergio | | | | | | | | | | | | | | | | | | | | | | | |
| 66 | RICHARDSON Melvyn Michel Pierre | | 0/1 | 0 | 0/1 | | | | | | | | 1 | | | 3 | | | | | | 1 | | 13:12 |
| 72 | FABREGAS Ludovic | | 4/7 | 57 | | 4/7 | | | | | | | | 1 | 1 | 1 | | 1 | | | | 1 | | 41:29 |
| 82 | DE SOUSA FRADE Luis Diogo | | 0/4 | 0 | | 0/4 | | | | | | | | | | | | 1 | | | | 1 | | 21:24 |
| 90 | MOHAMMED ZEINELABEDIN Ali | | 0/1 | 0 | 0/1 | | | | | | | 1 | | | | | | | | | | | | 31:25 |
| | Team / bench | | | | | | | | | | | | | | | | | | | | | | | |
| | UKUPNO | | 28/49 | 57 | 9/17 | 5/13 | 6/9 | 3/5 | 0/0 | 5/5 | 0/0 | 7 | 6 | 5 | 2 | 12 | 0 | 2 | 0 | 1 | 3 | 0 | 0 | |

| Goalkeepers | | Saves / shots | | | | | | | | |
|-------------|--------------------------------|---------------|----|------|-----|------|-----|-----|------|-----|
| # | Surname and name | Tot. | % | 9m | 6m | Wing | 7m | FB | Brk. | LD |
| 1 | PEREZ DE VARGAS MORENO Gonzalo | 17/50 | 34 | 8/12 | 2/7 | 5/13 | 1/2 | 1/2 | 0/14 | |
| 40 | MACIEL Leonel Carlos Sergio | | | | | | | | | |
| | TOTAL | 17/50 | 34 | 8/12 | 2/7 | 5/13 | 1/2 | 1/2 | 0/14 | 0/0 |

Coach: Antonio Carlos Ortega Perez

Number of attacks: 60, Efficiency: 47%, Average Duration: 24.8 seconds

Attack by type of defense

| | Shots | 9m | 6m | Wing | TF | E7 | E2 |
|-------------|-------|------|------|------|----|----|----|
| On def. 6-0 | 25/44 | 9/17 | 5/13 | 6/9 | 12 | 5 | 2 |
| Fastbreak | 0/0 | | | | 0 | 0 | 0 |

Defense by type

| | Total | 9m | 6m | Wing | Stl. | C7 | 2m |
|------------|-------|-----|-----|------|------|----|----|
| Def. 6-0 | 27/40 | 4/8 | 5/7 | 7/12 | 0 | 2 | 3 |
| Def. 5-1 | 4/9 | 0/4 | 0/1 | 1/1 | 0 | 0 | 0 |
| Def. 3-2-1 | 0/1 | 0/0 | 0/0 | 0/1 | 0 | 0 | 0 |
| Fastbreak | 1/3 | | | | 0 | 0 | 0 |

Attack with goalkeeper out

| | Attack | | | | Reaction | | |
|-------|--------|------|-------|----|----------|-----|------|
| | Att. | Eff. | Shots | TF | FB | LD | Tot. |
| GK in | 60 | 47% | 28/49 | 12 | 1/3 | 0/0 | 1/3 |

GK out attack is counted if one part or whole attack was GK out

Defense with opponent goalkeeper out

| | Attack | | | | Reaction | | |
|-------|--------|------|-------|----|----------|-----|------|
| | Att. | Eff. | Shots | TF | FB | LD | Tot. |
| GK in | 60 | 55% | 33/55 | 5 | 0/0 | 0/0 | 0/0 |

Attack with player superiority/minority

| | Attack | | | | Reaction | | |
|----------------|--------|------|-------|----|----------|-----|------|
| | Att. | Eff. | Shots | TF | FB | LD | Tot. |
| Superiority +1 | 4 | 50% | 2/6 | 0 | 0/0 | 0/0 | 0/0 |
| Normal | 45 | 44% | 20/33 | 11 | 1/3 | 0/0 | 1/3 |
| Minority -1 | 6 | 17% | 1/5 | 1 | 0/0 | 0/0 | 0/0 |

Player superiority counted at the end of attack (in case it changes during attack)

Defense with player superiority/minority

| | Attack | | | | Reaction | | |
|----------------|--------|------|-------|----|----------|-----|------|
| | Att. | Eff. | Shots | TF | FB | LD | Tot. |
| Minority -1 | 6 | 83% | 5/6 | 0 | 0/0 | 0/0 | 0/0 |
| Normal | 45 | 42% | 19/40 | 5 | 0/0 | 0/0 | 0/0 |
| Superiority +1 | 4 | 100% | 4/4 | 0 | 0/0 | 0/0 | 0/0 |

Jersey number Tot. Total shooting 6m 6m (line) shooting 9m 9m shooting Wng. Wing shooting FB Fastbreak sh. 7m 7m penalty sh.
 Brk. Breakthrough sh. LD Long distance sh. As. Assists PC Pass clear chance E7 Earned 7m pen. TF Technical faults St. Steals
 2m 2m punishments C7. Committed 7m E2. Earned 2m pun. YC. Yellow cards R/B Red/Blue cards Blk. Blocks S Starting Line-up



2021 IHF Men's Super Globe
Saudi Arabia (Jeddah)
 Final



Match Team Statistics
 Match No. 16

SC Magdeburg 33 - 28 Barcelona
 (19 - 16) (14 - 12)

9.10.2021. 20:30
 Attendance: 3257
 King Abdullah Sport City Hall

Referees: Matija Gubica (CRO) / Boris Milosevic (CRO)

Shot distribution by player

10 D. Mem

| | | |
|-----|-----|-----|
| 4/5 | | |
| 1/1 | | 1/1 |
| 1/3 | 1/1 | 2/2 |

1 miss.

13 A. Arino Bengochea

| | | |
|-----|--|--|
| 1/1 | | |
| | | |
| | | |

18 B. Janc

| | | |
|--|--|-----|
| | | |
| | | |
| | | 1/1 |

19 T. N Guessan

| | | |
|--|--|-----|
| | | |
| | | |
| | | 0/1 |

20 A. Gomez Abello

| | | |
|-----|-----|-----|
| 1/1 | | 1/1 |
| | | |
| | 0/1 | 5/6 |

2 post

22 T. Goncalves

| | | |
|--|--|--|
| | | |
| | | |
| | | |

32 A. Fernandez Perez

| | | |
|-----|-----|--|
| | 0/1 | |
| | | |
| 0/1 | | |

33 A. Parera Ibanez

| | | |
|--|--|--|
| | | |
| | | |
| | | |

35 D. Makuc

| | | |
|-----|-----|--|
| | | |
| 1/1 | | |
| 1/1 | 1/1 | |

37 H. Inoue Langaro

| | | |
|-----|--|--|
| | | |
| 1/1 | | |
| 1/1 | | |

1 block

66 M. Richardson

| | | |
|-----|--|--|
| | | |
| 0/1 | | |
| | | |

72 L. Fabregas

| | | |
|-----|-----|-----|
| 1/1 | | |
| 0/1 | | |
| 1/3 | 1/1 | 1/1 |

82 L. De Sousa Frade

| | | |
|-----|-----|--|
| | | |
| 0/1 | | |
| | 0/1 | |

2 post

90 A. Mohammed Zeinelabedin

| | | |
|-----|--|--|
| | | |
| | | |
| 0/1 | | |

TOTAL

| | | |
|------|-----|------|
| 7/8 | 0/1 | 1/1 |
| 3/6 | | 1/1 |
| 4/10 | 3/5 | 9/11 |

4 post 1 miss. 1 block

Saves distribution goalkeepers

1 G. Perez De Vargas Moreno

| | | |
|-----|-----|-----|
| 4/6 | 1/6 | 0/1 |
| 6/8 | 0/1 | 1/6 |
| 1/8 | 3/5 | 1/8 |

40 L. Maciel

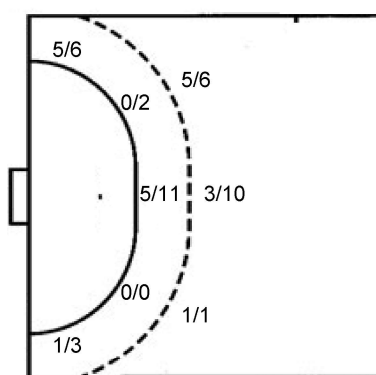
| | | |
|--|--|--|
| | | |
| | | |
| | | |

TOTAL

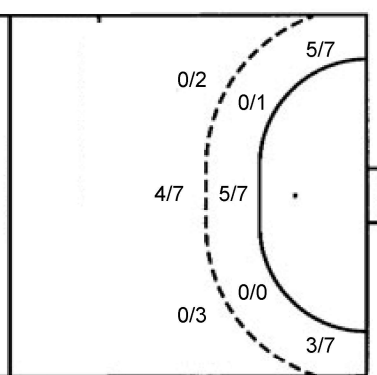
| | | |
|-----|-----|-----|
| 4/6 | 1/6 | 0/1 |
| 6/8 | 0/1 | 1/6 |
| 1/8 | 3/5 | 1/8 |

Shots by position

ATTACK



DEFENSE



7m penalties 3/5
 Fastbreak 0/0
 Breakthrough 5/5
 Long dist. 0/0

7m penalties 1/2
 Fastbreak 1/3
 Breakthrough 14/16
 Long dist. 0/0

Shooting statistics

| Position | Goals | Sav. | Miss. | Post | Blk. | Total | % |
|---------------------|-----------|-----------|----------|----------|----------|-----------|-----------|
| Back (9m) | 9 | 6 | 1 | 0 | 1 | 17 | 53 |
| Line (6m) | 5 | 6 | 0 | 2 | 0 | 13 | 38 |
| Wing | 6 | 2 | 0 | 1 | 0 | 9 | 67 |
| 7m penalties | 3 | 1 | 0 | 1 | 0 | 5 | 60 |
| Fastbreak | 0 | 0 | 0 | 0 | 0 | 0 | 0 |
| Breakthrough | 5 | 0 | 0 | 0 | 0 | 5 | 100 |
| Total | 28 | 15 | 1 | 4 | 1 | 49 | 57 |

