



# 24th IHF Women's Junior (U20) World Championship



Group B, 1. round

Match Team Statistics

Match No. 4

## Egypt 26 - 16 Chile

(12 - 7) (14 - 9)

19.6.2024. 13:00

Attendance: 35

Sport Centre Jane Sandanski

Hall 2

Referees: Zan Puksic (SLO) / Miha Satler (SLO)

### Egypt

#	Surname and name	S	Goals / shots								Attack				Def.			Penalties			TP				
			Tot.	%	9m	6m	Wing	7m	FB	Brk.	LD	As.	PC	E7	E2	TF	St.	C7	Blk	YC		2m	R	B	
1	ASHRAF ABDELGANY Lubna																							11:26	
2	MOHAMED SONBOL Mona	S	3/4	75				2/2			1/2													37:13	
4	ASHRAF ELBARKY Sara	S																						14:38	
5	AHMED ABDELFATTAH Nawal		1/1	100											1	1								7:49	
8	OMAR IBRAHIM Mariam		3/5	60				0/1			3/4													23:58	
9	MAHMOUD ELSHEREF Shrouk	S	3/4	75											2	3		1	4					48:49	
11	OSAMA ABDALLA Lojin		1/3	33	0/1																			24:24	
14	HATEM SALAMA Kenzy	S	5/9	56				2/5			3/3	0/1			2									51:54	
15	EHAB ABOSHWWEKA Noha		0/1	0	0/1																			2:44	
17	TAMER ATAWEYA Nada		2/3	67			2/3									1								25:44	
22	KAMEL GADALLAH Touka	S	1/5	20	0/2							0/2	1/1	2						1	1	1		23:39	
25	AHMED MOHAMED Malak		2/4	50	0/2							2/2												29:47	
28	TAREK ABDELRAHMAN Nadein		2/3	67	0/1	1/1						1/1		3	1									27:16	
89	MAHMOUD ORABY Fatma	S	1/1	100												1	1							29:54	
98	WAEEL SAYED Gihad	S												4										46:22	
99	SALAHELDIN ABDELKADER Jana		2/3	67			2/3																	12:34	
	Team / bench																								
	UKUPNO		26/46	57	0/7	3/4	6/11	1/2	7/9	7/11	2/2			14	5	2	4	16	6	2	2	1	3	0	0

Goalkeepers		Saves / shots								
#	Surname and name	Tot.	%	9m	6m	Wing	7m	FB	Brk.	LD
1	ASHRAF ABDELGANY Lubna	1/5	20	0/2		1/2			0/1	
98	WAEEL SAYED Gihad	15/26	58	3/7	1/1	7/9	1/2	1/2	2/5	
	TOTAL	16/31	52	3/9	1/1	8/11	1/2	1/2	2/6	0/0

Coach: **Ramy Abdellatif Mohamed**

Number of attacks: 59, Efficiency: 44%, Average Duration: 28.91 seconds

### Attack by type of defense

	Shots	9m	6m	Wing	TF	E7	E2
On def. 6-0	16/33	0/7	3/4	6/11	16	2	4
Fastbreak	7/9				0	0	0

### Defense by type

	Total	9m	6m	Wing	Stl.	C7	2m
Def. 6-0	13/36	6/17	0/1	3/12	6	2	0
Fastbreak	1/3				0	0	3

### Attack with superiority / minority / goalkeeper out

	Attack				Reaction		
	Att.	Eff.	Shots	TF	FB	LD	Tot.
7 on 6 (GK out)	5	40%	2/4	1	0/0	1/1	1/1
6 on 6 (GK out)	4	25%	1/2	2	0/0	0/2	0/2
6 on 6	42	38%	16/29	13			
6 on 5	6	83%	5/6	0			
6 on 4	2	100%	2/2	0			

Player superiority / GK out counted at the end of attack (in case it changes during attack)

### Defense with superiority / minority / goalkeeper out

	Attack				Reaction		
	Att.	Eff.	Shots	TF	FB	LD	Tot.
7 on 6 (GK out)	5	60%	3/3	2	0/0	0/0	0/0
5 on 6 (GK out)	1	0%	0/0	1	0/0	0/0	0/0
6 on 6	43	26%	11/27	16			
5 on 6	3	33%	1/3	0			
4 on 6	1	0%	0/1	0			
6 on 5	6	17%	1/5	1			

Numbers show attacking numbers of opponent. Lower efficiency of opponent means better defense of this team

# Jersey number Tot. Total shooting 6m 6m (line) shooting 9m 9m shooting Wng Wing shooting FB Fastbreak sh. 7m 7m penalty sh.  
 Brk. Breakthrough sh. LD Long distance sh. As. Assists PC Pass clear chance E7 Earned 7m pen. TF Technical faults St. Steals  
 2m 2m punishments C7. Committed 7m E2 Earned 2m pun. YC. Yellow cards R/B Red/Blue cards Blk. Blocks S Starting Line-up



# 24th IHF Women's Junior (U20) World Championship



Group B, 1. round

## Match Team Statistics

Match No. 4

## Egypt 26 - 16 Chile

(12 - 7) (14 - 9)

19.6.2024. 13:00

Attendance: 35

Sport Centre Jane Sandanski

Hall 2

Referees: Zan Puksic (SLO) / Miha Satler (SLO)

### Shot distribution by player

2 M. Mohamed Sonbol

		2/2
		1/2

4 S. Ashraf Elbarky


5 N. Ahmed Abdelfattah

		1/1

8 M. Omar Ibrahim

	0/1	3/3
		0/1

9 S. Mahmoud Elsheref

	1/1	
		1/1
1/2		

11 L. Osama Abdalla

		1/2
		0/1

14 K. Hatem Salama

2/2		
0/1		0/2

1 post 3/3 lob

15 N. Ehab Aboshweka

		0/1

17 N. Tamer Ataweya

1/1	1/1	0/1

22 T. Kamel Gadallah

0/1		1/1
		0/1

1 post 1 miss.

25 M. Ahmed Mohamed

		2/3

1 post

28 N. Tarek Abdelrahman

1/1		1/2

89 F. Mahmoud Oraby

	1/1	

99 J. Salaheldin Abdelkader

2/2		0/1

### TOTAL

4/5	1/2	7/10
	1/1	1/1
3/5	1/1	5/14

3 post 1 miss. 3/3 lob

### Saves distribution goalkeepers

1 L. Ashraf Abdelgany

1/1		0/4

98 G. Wael Sayed

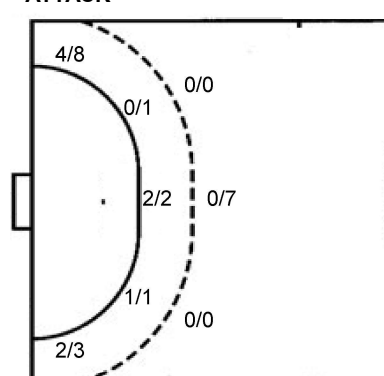
0/2	4/4	2/4
3/3	1/1	1/2
3/4		1/6

### TOTAL

0/2	4/4	2/4
3/3	1/1	1/2
4/5		1/10

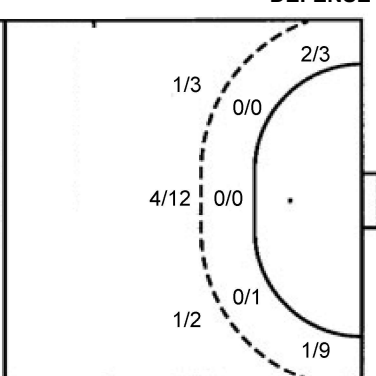
### Shots by position

#### ATTACK



7m penalties	1/2
Fastbreak	7/9
Breakthrough	7/11
Long dist.	2/2

#### DEFENSE



7m penalties	1/2
Fastbreak	1/3
Breakthrough	4/6
Long dist.	1/3

### Shooting statistics

Position	Goals	Sav.	Miss.	Post	Blk.	Total	%
Back (9m)	0	5	0	2	0	7	0
Line (6m)	3	1	0	0	0	4	75
Wing	6	4	0	1	0	11	55
7m penalties	1	1	0	0	0	2	50
Fastbreak	7	2	0	0	0	9	78
Breakthrough	7	3	1	0	0	11	64
<b>Total</b>	<b>24</b>	<b>16</b>	<b>1</b>	<b>3</b>	<b>0</b>	<b>44</b>	<b>55</b>

# Jersey number Tot. Total shooting 6m 6m (line) shooting 9m 9m shooting Wng Wing shooting FB Fastbreak sh. 7m 7m penalty sh.  
 Brk. Breakthrough sh. LD Long distance sh. As. Assists PC Pass clear chance E7 Earned 7m pen. TF Technical faults St. Steals  
 2m 2m punishments C7. Committed 7m E2 Earned 2m pun. YC. Yellow cards R/B Red/Blue cards Blk. Blocks S Starting Line-up



# 24th IHF Women's Junior (U20) World Championship



Group B, 1. round

## Match Team Statistics

Match No. 4

## Egypt 26 - 16 Chile

(12 - 7) (14 - 9)

19.6.2024. 13:00

Attendance: 35

Sport Centre Jane Sandanski

Hall 2

Referees: Zan Puksic (SLO) / Miha Satler (SLO)

### Chile

#	Surname and name	S	Goals / shots								Attack					Def.			Penalties			TP																	
			Tot.	%	9m	6m	Wing	7m	FB	Brk.	LD	As.	PC	E7	E2	TF	St.	C7	Blk	YC	2m		R	B															
2	DE LA BARRA Magdalena	S	1/2	50				0/1	1/1																													42:20	
3	VALDIVIA Catalina	S																																				18:39	
4	PAUL Constanza	S	5/8	63	3/5				0/1																													43:48	
7	RIQUELME Amanda	S	2/4	50				1/3		1/1																												34:52	
9	LARENAS Anais		1/6	17	1/4			0/2																														20:43	
10	VALDIVIESO Isidora	S	1/5	20	0/2					0/1	1/2					1	1																					42:40	
11	LIZANA Renata		2/5	40	1/3																																	22:41	
13	CANESSA Colomba																																					17:37	
14	MILLAN Antonia		1/1	100				1/1																														8:46	
23	CARRASCO Noelia																																						3:46
25	SANCHEZ Antonia																																						7:48
28	BERLINGER Ignacia		0/1	0						0/1																													16:16
30	BOCCHIERI RAMIREZ Michaela Paz		0/3	0				0/3																															49:21
33	CAMPOS Renata	S	3/8	38	1/3	0/1	1/2									2	1																						32:50
36	GORE Isabella																																						13:13
87	CRAIG ORTIZ Paula Antonia	S	0/1	0																																			44:40
	Team / bench																																						
	UKUPNO		16/44	36	6/17	0/1	3/12	1/2	1/3	4/6	1/3					5	3	2	2	20	5	2	0	0	0	5	0	0											

Goalkeepers		Saves / shots								
#	Surname and name	Tot.	%	9m	6m	Wing	7m	FB	Brk.	LD
36	GORE Isabella	5/13	38	1/1	1/3	2/4	1/2	0/1	0/2	
87	CRAIG ORTIZ Paula Antonia	11/27	41	4/4	0/1	2/6		2/8	3/8	
	TOTAL	16/40	40	5/5	1/4	4/10	1/2	3/9	3/10	0/0

Coach: Felipe Barrientos

Number of attacks: 59, Efficiency: 27%, Average Duration: 31.10 seconds

### Attack by type of defense

	Shots	9m	6m	Wing	TF	E7	E2
On def. 6-0	13/36	6/17	0/1	3/12	20	2	2
Fastbreak	1/3				0	0	0

### Defense by type

	Total	9m	6m	Wing	Stl.	C7	2m
Def. 6-0	16/33	0/7	3/4	6/11	5	2	0
Fastbreak	7/9				0	0	5

### Attack with superiority / minority / goalkeeper out

	Attack				Reaction		
	Att.	Eff.	Shots	TF	FB	LD	Tot.
7 on 6 (GK out)	5	60%	3/3	2	0/0	0/0	0/0
5 on 6 (GK out)	1	0%	0/0	1	0/0	0/0	0/0
6 on 6	43	26%	11/27	16			
5 on 6	3	33%	1/3	0			
4 on 6	1	0%	0/1	0			
6 on 5	6	17%	1/5	1			

Player superiority / GK out counted at the end of attack (in case it changes during attack)

### Defense with superiority / minority / goalkeeper out

	Attack				Reaction		
	Att.	Eff.	Shots	TF	FB	LD	Tot.
7 on 6 (GK out)	5	40%	2/4	1	0/0	1/1	1/1
6 on 6 (GK out)	4	25%	1/2	2	0/0	0/2	0/2
6 on 6	42	38%	16/29	13			
6 on 5	6	83%	5/6	0			
6 on 4	2	100%	2/2	0			

Numbers show attacking numbers of opponent. Lower efficiency of opponent means better defense of this team

# Jersey number Tot. Total shooting 6m 6m (line) shooting 9m 9m shooting Wng Wing shooting FB Fastbreak sh. 7m 7m penalty sh.  
 Brk. Breakthrough sh. LD Long distance sh. As. Assists PC Pass clear chance E7 Earned 7m pen. TF Technical faults St. Steals  
 2m 2m punishments C7. Committed 7m E2 Earned 2m pun. YC. Yellow cards R/B Red/Blue cards Blk. Blocks S Starting Line-up



# 24th IHF Women's Junior (U20) World Championship



Group B, 1. round

## Match Team Statistics

Match No. 4

## Egypt 26 - 16 Chile

(12 - 7) (14 - 9)

19.6.2024. 13:00

Attendance: 35

Sport Centre Jane Sandanski

Hall 2

Referees: Zan Puksic (SLO) / Miha Satler (SLO)

### Shot distribution by player

2 M. De La Barra

		0/1
1/1		

3 C. Valdivia


4 C. Paul

2/2		
0/1		
		3/3

1 miss. 1 block

7 A. Riquelme

0/1		2/2

1 post

9 A. Larenas

	0/2	
0/1		1/1

2 post

10 I. Valdivieso

	0/1	1/1
0/1		0/1

1 miss.

11 R. Lizana

		1/1
		1/1

1 post 1 miss. 1 block

13 C. Canessa


14 A. Millan

		1/1

23 N. Carrasco


25 A. Sanchez


28 I. Berlinger

0/1		

30 M. Bocchieri  
Ramirez

		0/2
	0/1	

33 R. Campos

	0/1	1/1
0/1		
0/1		2/2

1 miss. 1 block

### TOTAL

2/2	0/4	2/4
0/3	0/1	1/2
1/5		10/11

4 post 4 miss. 3 block

### Saves distribution goalkeepers

36 I. Gore

0/1		1/3
0/1	0/1	4/7

87 P. Craig Ortiz

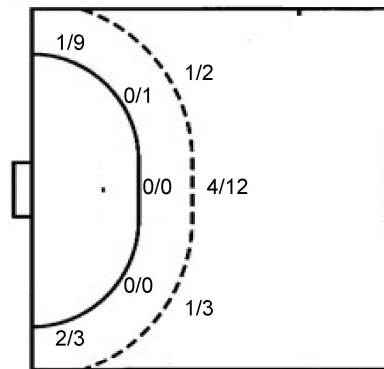
1/4	1/2	2/6
		0/1
2/4		5/7

### TOTAL

1/5	1/2	3/9
		0/1
2/5	0/1	9/14

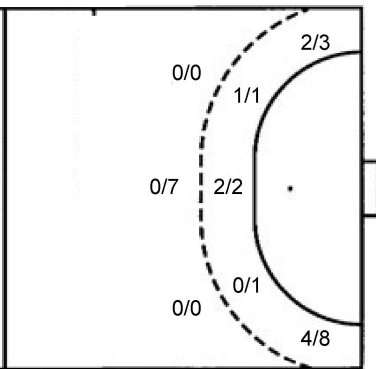
### Shots by position

#### ATTACK



7m penalties	1/2
Fastbreak	1/3
Breakthrough	4/6
Long dist.	1/3

#### DEFENSE



7m penalties	1/2
Fastbreak	7/9
Breakthrough	7/11
Long dist.	2/2

### Shooting statistics

Position	Goals	Sav.	Miss.	Post	Blk.	Total	%
Back (9m)	6	3	2	3	3	17	35
Line (6m)	0	1	0	0	0	1	0
Wing	3	8	0	1	0	12	25
7m penalties	1	1	0	0	0	2	50
Fastbreak	1	1	1	0	0	3	33
Breakthrough	4	2	0	0	0	6	67
<b>Total</b>	<b>15</b>	<b>16</b>	<b>3</b>	<b>4</b>	<b>3</b>	<b>41</b>	<b>37</b>

# Jersey number Tot. Total shooting 6m 6m (line) shooting 9m 9m shooting Wng Wing shooting FB Fastbreak sh. 7m 7m penalty sh.  
 Brk. Breakthrough sh. LD Long distance sh. As. Assists PC Pass clear chance E7 Earned 7m pen. TF Technical faults St. Steals  
 2m 2m punishments C7. Committed 7m E2 Earned 2m pun. YC. Yellow cards R/B Red/Blue cards Blk. Blocks S Starting Line-up

Handball statistics and livescore by Toma-soft ltd (www.toma-soft.hr)



# 24th IHF Women's Junior (U20) World Championship



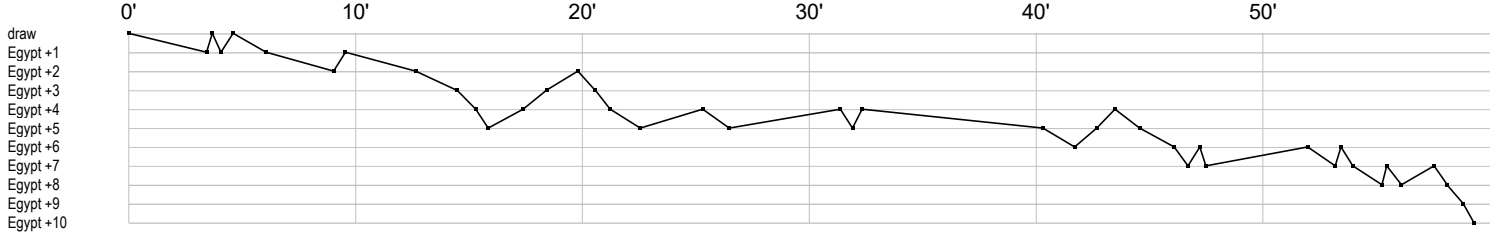
Group B, 1. round

Match Team Statistics  
Match No. 4

Egypt 26 - 16 Chile  
(12 - 7) (14 - 9)

19.6.2024. 13:00  
Attendance: 35  
Sport Centre Jane Sandanski  
Hall 2

Referees: Zan Puksic (SLO) / Miha Satler (SLO)



### Egypt

1 Ashraf																		s	r	r	r	r				
2 Mohamed		f	b															g				g	g			
4 Ashraf									x				b													
5 Ahmed																						p	a	g		
8 Omar Ibrahim							g	g		t			f				g	f								
9 Mahmoud	a	g		t		pgi		g		p	2					f	t		p	t		a	t			
11 Osama									y	g	f		t		x	f	2									
14 Hatem	g		g		g	f			a	f		f	a			b		g	g		f					
15 Ehab																										
17 Tamer															b	e	t			g	f		g			
22 Kamel	t	f		f				bg	f								a	a	c							
25 Ahmed							i		t	t					ft					f			g	g		
28 Tarek		gai														t	g		a	a	f	p	2			
89 Mahmoud						c	g																	ei		
98 Wael Sayed	s	s	r	r	s	ts	asr		a	s		r	r	r	a	s	r	s	s	s	s					
99 Salaheldin																g								f	bt	g

### Chile

2 De La Barra							2						t	t		eg	f																			
3 Valdivia C								2							c																					
4 Paul C		a	g	f	t			f	f	t	t				bg	g	t		t	g	p	g														
7 Riquelme A		t		f		g						g						f		t																
9 Larenas A									f	f	f									f			t	g	f											
10 Valdivieso I		f	2		b	f	bf	t	e		g						f		t	p		t	t													
11 Lizana R										t	g		i							f		a	t	f	g	f										
13 Canessa C																																				
14 Millan A																							g													
23 Carrasco N																									c2											
25 Sanchez A																																				
28 Berlinger I																bf																				
30 Bocchieri												f		f						b	f	2														
33 Campos R	f		g				f		a		f		t	g	a				p		f	i	t		f	t				g		t				
36 Gore I																		s						r	s	s	s	s	r	r	r	r	r	r		
87 Craig Ortiz P	s	r	r	s	rs		r		r	sr		a	r	r	r	r	s	sf	r	s	s			r	sr		sr	r								

In game	g Goal scored	f Missed shot	a Assist	t Technical faults	b Steal
2 2min suspension	e Earned 7m	c Committed 7m	y Yellow card	r Red Card	k Blue card
i Earned 2min.	x Block	4 4min suspension	p Pass for clear chance	s Saved shot	r Received goal