



25th IHF Men's Junior World Championship 2025



Preliminary Round - Group G, 3. round

Match Team Statistics

Match No. 47

Serbia 28 - 30 Switzerland

(14 - 17) (14 - 13)

21.6.2025. 18:45

Attendance: 291

Hala Legionow

Referees: Cristian Lemes (URU) / Mathias Sosa (URU)

Serbia

Players		Goals / shots									Attack				Def.			Penalties			TP					
#	Surname and name	S	Tot.	%	9m	6m	Wing	7m	FB	Brk.	LD	As.	PC	E7	E2	TF	St.	C7	Blk	YC		2m	R	B		
2	DRAŠKO Mladenko	S	2/4	50		2/4											1	1	1		1	2			53:12	
4	BEKIĆ Nikola		2/3	67	2/3																					8:24
7	LAZIĆ Luka																									
8	KOVACEVIĆ Radan		0/1	0						0/1				1	1											10:19
10	MILOVANOVIĆ Filip	S	6/8	75			3/5	3/3							1		1									57:36
13	MITROVIĆ Uros	S	4/7	57	2/3				1/1	1/3				1			1									42:08
14	ANTONIJEVIĆ Vukašin	S	3/7	43	1/5				1/1	1/1				1	1	1	4	2								40:29
16	ZORIC Nikola	S											1													21:12
18	SEVIC Luka		3/3	100		3/3																				5:53
19	ILIĆ Strahinja															1										3:09
22	PANIĆ Luka		0/2	0		0/2								1												7:09
24	ČABRILO Vojin	S	1/5	20	0/3					1/2		6	2			1	2	1	1		1					53:22
25	ŠIJAN Simo		6/9	67	3/6					3/3		1					1									21:47
27	RANČIĆ Djordje																									
71	PAPOVIĆ Milija	S	1/2	50			0/1		1/1			1					1									58:47
91	DRAŠKO Marko																1									36:27
	Team / bench																								1	
	TOTAL		28/51	55	8/20	5/9	3/6	3/3	3/3	6/10	0/0	9	5	3	2	9	8	2	1	2	3	0	0			

Goalkeepers		Saves / shots								
#	Surname and name	Tot.	%	9m	6m	Wing	7m	FB	Brk.	LD
16	ZORIC Nikola	3/17	18	2/7	0/1	0/1	0/1	0/1	1/6	
91	DRAŠKO Marko	6/22	27	4/8	1/2	1/4	0/1		0/7	
	TOTAL	9/39	23	6/15	1/3	1/5	0/2	0/1	1/13	0/0

Coach: Dalibor Čutura

Number of attacks: 56, Efficiency: 50%, Average Duration: 30.20 seconds

Attack by type of defense

	Shots	9m	6m	Wing	TF	E7	E2
On def. 6-0	22/45	8/20	5/9	3/6	9	3	2
Fastbreak	3/3				0	0	0

Defense by type

	Total	9m	6m	Wing	Stl.	C7	2m
Def. 6-0	27/42	9/20	2/3	4/5	8	2	0
Def. press.	0/1	0/0	0/1	0/0	0	0	0
Fastbreak	1/1				0	0	3

Attack with superiority / minority / goalkeeper out

	Attack				Reaction		
	Att.	Eff.	Shots	TF	FB	LD	Tot.
7 on 6 (GK out)	1	100%	1/1	0	0/0	0/0	0/0
6 on 6 (GK out)	5	80%	4/5	0	0/0	0/0	0/0
6 on 6	48	46%	22/39	9			
6 on 5	2	50%	1/2	0			

Player superiority / GK out counted at the end of attack (in case it changes during attack)

Defense with superiority / minority / goalkeeper out

	Attack				Reaction		
	Att.	Eff.	Shots	TF	FB	LD	Tot.
7 on 6 (GK out)	1	0%	0/0	1	0/0	0/0	0/0
6 on 6 (GK out)	1	100%	1/1	0	0/0	0/0	0/0
6 on 6	47	51%	24/34	13			
6 on 5	7	71%	5/7	0			

Numbers show attacking numbers of opponent. Lower efficiency of opponent means better defense of this team

Jersey number Tot. Total shooting 6m 6m (line) shooting 9m 9m shooting Wng Wing shooting FB Fastbreak sh. 7m 7m penalty sh.
 Brk. Breakthrough sh. LD Long distance sh. As. Assists PC Pass clear chance E7 Earned 7m pen. TF Technical faults St. Steals
 2m 2m punishments C7. Committed 7m E2 Earned 2m pun. YC. Yellow cards R/B Red/Blue cards Blk. Blocks S Starting Line-up



25th IHF Men's Junior World Championship 2025



Preliminary Round - Group G, 3. round

Match Team Statistics

Match No. 47

Serbia 28 - 30 Switzerland

(14 - 17) (14 - 13)

21.6.2025. 18:45

Attendance: 291

Hala Legionow

Referees: Cristian Lemes (URU) / Mathias Sosa (URU)

Shot distribution by player

2 M. Draško

	0/1	
2/2		

1 post

4 N. Bekić

		1/1
		1/2

7 L. Lazić

8 R. Kovacević

	0/1	

10 F. Milovanović

1/1	0/1	
		1/1
1/1		3/3

1 miss.

13 U. Mitrović

1/3		
2/3		1/1

14 V. Antonijević

		1/1
0/1	0/1	
1/1		1/2

1 miss.

18 L. Sević

1/1		1/1
		1/1

19 S. Ilić

22 L. Panić

		0/1

1 post

24 V. Čabrilo

1/3		

1 miss. 1 block

25 S. Šijan

1/1		
1/1		1/2
2/3	0/1	1/1

27 D. Rančić

71 M. Papović

1/1		

1 miss.

TOTAL

2/2	0/2	2/2
4/7	0/2	3/4
9/13	0/1	8/11

2 post 4 miss. 1 block

Saves distribution goalkeepers

16 N. Zoric

0/1		
0/4		1/2
0/6		2/4

91 M. Draško

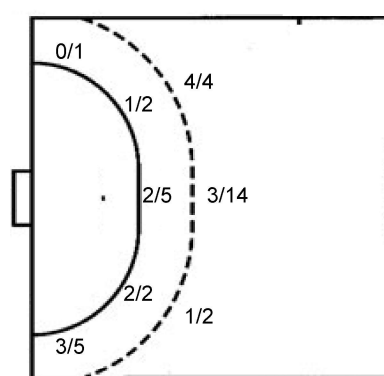
0/1	2/2	0/1
0/4		0/2
2/4	0/2	2/6

TOTAL

0/2	2/2	0/1
0/8		1/4
2/10	0/2	4/10

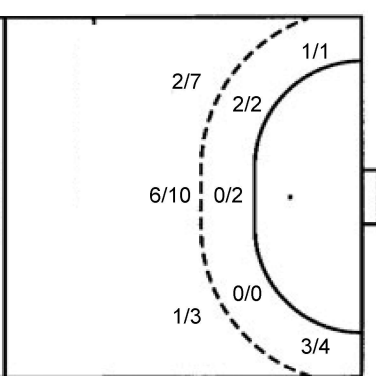
Shots by position

ATTACK



7m penalties 3/3
Fastbreak 3/3
Breakthrough 6/10
Long dist. 0/0

DEFENSE



7m penalties 2/2
Fastbreak 1/1
Breakthrough 12/14
Long dist. 0/0

Shooting statistics

Position	Goals	Sav.	Miss.	Post	Blk.	Total	%
Back (9m)	8	10	2	0	0	20	40
Line (6m)	5	2	0	2	0	9	56
Wing	3	1	2	0	0	6	50
7m penalties	3	0	0	0	0	3	100
Fastbreak	3	0	0	0	0	3	100
Breakthrough	6	3	0	0	1	10	60
Total	28	16	4	2	1	51	55

Jersey number Tot. Total shooting 6m 6m (line) shooting 9m 9m shooting Wng Wing shooting FB Fastbreak sh. 7m 7m penalty sh.
Brk. Breakthrough sh. LD Long distance sh. As. Assists PC Pass clear chance E7 Earned 7m pen. TF Technical faults St. Steals
2m 2m punishments C7. Committed 7m E2 Earned 2m pun. YC. Yellow cards R/B Red/Blue cards Blk. Blocks S Starting Line-up

Handball statistics and livescore by Toma-soft ltd (www.toma-soft.hr)



25th IHF Men's Junior World Championship 2025



Preliminary Round - Group G, 3. round

Match Team Statistics

Match No. 47

Serbia 28 - 30 Switzerland

(14 - 17) (14 - 13)

21.6.2025. 18:45

Attendance: 291

Hala Legionow

Referees: Cristian Lemes (URU) / Mathias Sosa (URU)

Switzerland

Players		Goals / shots									Attack					Def.			Penalties				TP		
#	Surname and name	S	Tot.	%	9m	6m	Wing	7m	FB	Brk.	LD	As.	PC	E7	E2	TF	St.	C7	Blk	YC	2m	R		B	
2	ROMER Mischa																								
3	SARLOS Nikos	S	3/3	100			1/1	2/2										1							59:47
5	CUENCAS Tiago		6/8	75	1/2	1/1				4/5				1	1	1	2								21:45
8	SIGRIST Luca	S	11/19	58	6/13					5/6			6	3	1	1	4		1						49:59
9	WOLFISBERG Valentin	S	3/4	75	1/2	1/1				1/1			2			4			1	1					43:23
10	WANNER Levin																								
11	SCHNYDER Leo	S	3/5	60	1/3					2/2					1	2									54:12
12	STRAUSS André																								
14	STEENAERTS Gino	S	4/5	80			3/4		1/1							1		2				1			58:01
16	SERAVALLI Mathieu	S													1										58:59
17	UGIAGBE Manoy												1												3:21
19	LANG Devin																								
21	BAUMANN Tazio																								
25	RÖMER Leandro		0/1	0		0/1																		1	42:34
49	HOCHULI Rino																								0:57
55	FLÜCKIGER Nils	S	0/1	0		0/1																			27:02
Team / bench																									1
TOTAL			30/46	65	9/20	2/4	4/5	2/2	1/1	12/14	0/0		9	4	2	3	14	1	3	1	2	2	0	0	

Goalkeepers		Saves / shots								
#	Surname and name	Tot.	%	9m	6m	Wing	7m	FB	Brk.	LD
12	STRAUSS André									
16	SERAVALLI Mathieu	16/44	36	10/18	2/7	1/4	0/3	0/3	3/9	
TOTAL		16/44	36	10/18	2/7	1/4	0/3	0/3	3/9	0/0

Coach: Petr Hrachovec

Number of attacks: 56, Efficiency: 54%, Average Duration: 33.82 seconds

Attack by type of defense

	Shots	9m	6m	Wing	TF	E7	E2
On def. 6-0	27/42	9/20	2/3	4/5	14	2	3
On def. press.	0/1	0/0	0/1	0/0	0	0	0
Fastbreak	1/1				0	0	0

Defense by type

	Total	9m	6m	Wing	Stl.	C7	2m
Def. 6-0	22/45	8/20	5/9	3/6	1	3	0
Fastbreak	3/3				0	0	2

Attack with superiority / minority / goalkeeper out

	Attack				Reaction		
	Att.	Eff.	Shots	TF	FB	LD	Tot.
7 on 6 (GK out)	1	0%	0/0	1	0/0	0/0	0/0
6 on 6 (GK out)	1	100%	1/1	0	0/0	0/0	0/0
6 on 6	47	51%	24/34	13			
6 on 5	7	71%	5/7	0			

Player superiority / GK out counted at the end of attack (in case it changes during attack)

Defense with superiority / minority / goalkeeper out

	Attack				Reaction		
	Att.	Eff.	Shots	TF	FB	LD	Tot.
7 on 6 (GK out)	1	100%	1/1	0	0/0	0/0	0/0
6 on 6 (GK out)	5	80%	4/5	0	0/0	0/0	0/0
6 on 6	48	46%	22/39	9			
6 on 5	2	50%	1/2	0			

Numbers show attacking numbers of opponent. Lower efficiency of opponent means better defense of this team

Jersey number Tot. Total shooting 6m 6m (line) shooting 9m 9m shooting Wng Wing shooting FB Fastbreak sh. 7m 7m penalty sh.
 Brk. Breakthrough sh. LD Long distance sh. As. Assists PC Pass clear chance E7 Earned 7m pen. TF Technical faults St. Steals
 2m 2m punishments C7. Committed 7m E2 Earned 2m pun. YC. Yellow cards R/B Red/Blue cards Blk. Blocks S Starting Line-up



25th IHF Men's Junior World Championship 2025



Preliminary Round - Group G, 3. round

Match Team Statistics

Match No. 47

Serbia 28 - 30 Switzerland

(14 - 17) (14 - 13)

21.6.2025. 18:45

Attendance: 291

Hala Legionow

Referees: Cristian Lemes (URU) / Mathias Sosa (URU)

Shot distribution by player

2 M. Romer

3 N. Sarlos

		1/1
1/1		1/1

5 T. Cuencas

1/1		1/1
1/1		1/1
	1/1	1/2

1 post

8 L. Sigrist

	0/1	
4/4		0/1
4/4		3/5

1 post 2 miss. 1 block

9 V. Wolfisberg

	0/1	
1/1		1/1
	1/1	

10 L. Wanner

11 L. Schnyder

2/2		1/2

1 miss.

14 G. Steenaerts

1/1		
2/2		
1/2		

17 M. Ugiagbe

19 D. Lang

21 T. Baumann

25 L. Römer

1 post

49 R. Hochuli

55 N. Flückiger

0/1		

TOTAL

2/2	0/2	1/1
8/8		3/4
8/10	2/2	6/10

3 post 3 miss. 1 block

Saves distribution goalkeepers

12 A. Strauss

16 M. Seravalli

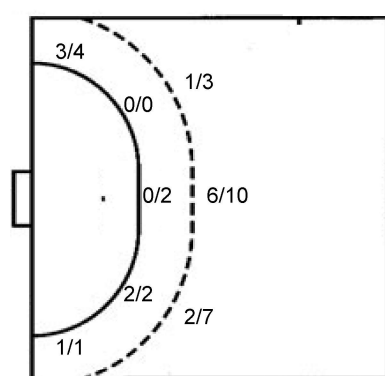
0/2	2/2	0/2
3/7	2/2	1/4
4/13	1/1	3/11

TOTAL

0/2	2/2	0/2
3/7	2/2	1/4
4/13	1/1	3/11

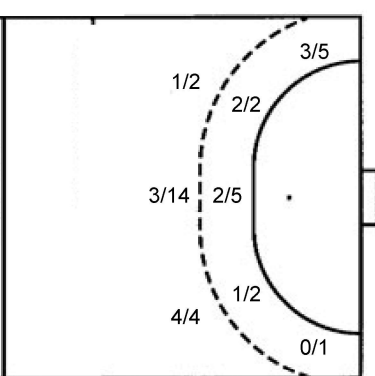
Shots by position

ATTACK



7m penalties 2/2
 Fastbreak 1/1
 Breakthrough 12/14
 Long dist. 0/0

DEFENSE



7m penalties 3/3
 Fastbreak 3/3
 Breakthrough 6/10
 Long dist. 0/0

Shooting statistics

Position	Goals	Sav.	Miss.	Post	Blk.	Total	%
Back (9m)	9	6	2	2	1	20	45
Line (6m)	2	1	0	1	0	4	50
Wing	4	1	0	0	0	5	80
7m penalties	2	0	0	0	0	2	100
Fastbreak	1	0	0	0	0	1	100
Breakthrough	12	1	1	0	0	14	86
Total	30	9	3	3	1	46	65

Jersey number Tot. Total shooting 6m 6m (line) shooting 9m 9m shooting Wng Wing shooting FB Fastbreak sh. 7m 7m penalty sh.
 Brk. Breakthrough sh. LD Long distance sh. As. Assists PC Pass clear chance E7 Earned 7m pen. TF Technical faults St. Steals
 2m 2m punishments C7. Committed 7m E2 Earned 2m pun. YC. Yellow cards R/B Red/Blue cards Blk. Blocks S Starting Line-up



25th IHF Men's Junior World Championship 2025



Preliminary Round - Group G, 3. round

Match Team Statistics

Match No. 47

Serbia 28 - 30 Switzerland

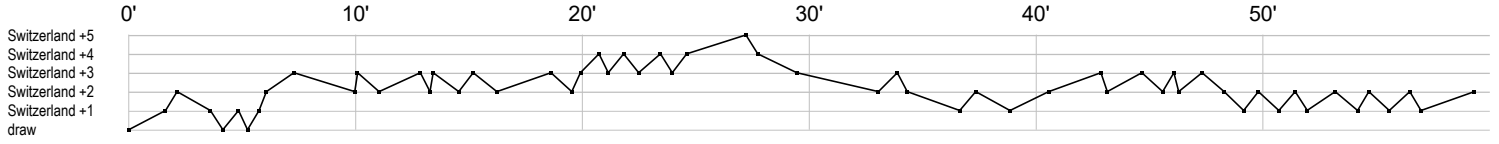
(14 - 17) (14 - 13)

21.6.2025. 18:45

Attendance: 291

Hala Legionow

Referees: Cristian Lemes (URU) / Mathias Sosa (URU)



Serbia

2 Draško M	y t	f	2	bg	f	g	c2				
4 Bekić N										g g f	
7 Lazić L											
8 Kovacević R									e f p		
10 Milovanović F	g g			g		g f			g	g b f	
13 Mitrovic U	f f	f g			p t g g	g					
14 Antonijević V	g f b t	p t f			bf t t ei	f g g					
16 Zoric N	rr s r rr sr	r a rr r s r r r								f	
18 Sevic L		g	g	g							
19 Ilić S			t								
22 Panić L						f				e f	
24 Čabrilo V	aba f	f f	b g f a	a	a x	p t p a			c2		
25 Šijan S			b g	fg a g f f					g g	g	
27 Rančić D											
71 Papović M	f	g			ba						
91 Draško M				r r r s r	r t r s r r r r r s sr					s r r r r r	

Switzerland

2 Romer M											
3 Sarlos N			b					g g		g	
5 Cuencas T			g	f g	g			t	t	g f g	ei g
8 Sigrist L	a f g f g	g t a f	a t g g	g a a g f f t	f	g f g f		ei p p	p a c	g t g	
9 Wolfsberg V	a t a	xg t y				t gt				f	
10 Wanner L											
11 Schnyder L	g f t	g		i		t f				g	
12 Strauss A											
14 Steenaerts G	g g			g t			2c			f c g	
16 Seravalli M	s s rr sr s t s	r sr r s r sr	r sr r r s s r r	r r r r s r	r r r s r	s s r r r r r r	r r s r r r s				
17 Ugiagbe M								a			
19 Lang D											
21 Baumann T											
25 Römer L											f
49 Hochuli R											
55 Flückiger N										f	

In game	g Goal scored	f Missed shot	a Assist	t Technical faults	b Steal
2 2min suspension	e Earned 7m	c Committed 7m	y Yellow card	r Red Card	k Blue card
i Earned 2min.	x Block	4 4min suspension	p Pass for clear chance	s Saved shot	r Received goal