



10th Men's Youth (U19) World Championship

Croatia

Final Round, 13-14. place



Match Team Statistics

Match No. 102

Austria 36 - 24 Brazil

(20 - 14) (16 - 10)

11.8.2023. 15:00

Attendance: 50

Josip Samardžija Bepo Hall

Referees: Andjelina Kazanegra (MNE) / Jelena Vujacic (MNE)

Austria

#	Surname and name	S	Goals / shots									Attack					Def.			Penalties				TP					
			Tot.	%	9m	6m	Wing	7m	FB	Brk.	LD	As.	PC	E7	E2	TF	St.	C7	Blk	YC	2m	R	B						
1	BERGMANN Leon Theodor	S	3/4	75											3/4	4		1		3						1			40:18
2	MELESCHNIG Clemens	S	1/1	100		1/1																				1			11:24
3	MÖSTL Clemens	S	0/1	0										0/1	2		1	1	1										22:30
4	WUZELLA Daniel	S	8/8	100				5/5		3/3			1						1										19:14
5	RUDNICKI Mats	S	1/1	100						1/1									1										30:42
6	BÖHM Elmar		5/5	100		1/1	2/2		2/2						1														23:32
11	NENADIC Thomas		1/1	100				1/1											3						1				22:42
14	ALKIC Sinan		1/2	50		1/2													1										18:19
15	HOFMANN Paul	S	2/3	67	1/2					1/1					2				3										31:31
16	BOGOJEVIC Marko														1														16:49
17	HUBER Bernhard Sebastian	S	6/7	86		1/1	2/2		3/3	0/1									2	2					1				23:17
18	FRITSCH Lukas		1/2	50	1/2										3	1			4	1	1			1					34:20
19	KÖNIG Raphael		0/1	0			0/1												1					1					36:03
22	WUZELLA Stefan	S	3/3	100		1/1	1/1		1/1										1										23:00
44	PAULNSTEINER Nicolas	S	3/3	100	2/2					1/1					2		1	2	2										31:30
59	WASTL Philip		1/2	50		0/1					1/1						1	1			1				1				34:49
	Team / bench																												
	UKUPNO		36/44	82	4/6	5/7	5/6	6/6	6/6	6/7	4/6		15	2	5	4	21	0	5	1	0	7	0	0					

Goalkeepers		Saves / shots								
#	Surname and name	Tot.	%	9m	6m	Wing	7m	FB	Brk.	LD
1	BERGMANN Leon Theodor	18/33	55	9/11	1/3	7/9	1/2	0/1	0/7	
16	BOGOJEVIC Marko	5/14	36	0/1	2/4	3/6	0/2		0/1	
	TOTAL	23/47	49	9/12	3/7	10/15	1/4	0/1	0/8	0/0

Coach: Lukas Musalek

Number of attacks: 62, Efficiency: 58%, Average Duration: 23.82 seconds

Attack by type of defense

	Shots	9m	6m	Wing	TF	E7	E2
On def. 6-0	3/3	0/0	1/1	1/1	1	1	0
On def. 5-1	10/14	1/3	2/2	4/5	14	3	3
On def. 3-3	6/7	3/3	1/2	0/0	6	1	1
Fastbreak	6/6				0	0	0

Defense by type

	Total	9m	6m	Wing	Stl.	C7	2m
Def. 6-0	19/49	3/19	3/6	5/15	0	5	0
Fastbreak	1/1				0	0	7

Attack with superiority / minority / goalkeeper out

	Attack				Reaction			
	Att.	Eff.	Shots	TF	FB	LD	Tot.	
7 on 6 (GK out)	2	100%	2/2	0	0/0	0/0	0/0	
6 on 6 (GK out)	4	50%	2/2	2	0/0	0/0	0/0	
6 on 5 (GK out)	1	100%	1/1	0	0/0	0/0	0/0	
5 on 6 (GK out)	2	0%	0/0	2	0/0	0/0	0/0	
6 on 6	46	52%	24/29	17				
6 on 5	5	100%	5/5	0				
5 on 6	1	100%	1/1	0				
5 on 5	1	100%	1/1	0				

Player superiority / GK out counted at the end of attack (in case it changes during attack)

Defense with superiority / minority / goalkeeper out

	Attack				Reaction		
	Att.	Eff.	Shots	TF	FB	LD	Tot.
7 on 6 (GK out)	11	36%	4/11	0	0/0	1/2	1/2
6 on 6 (GK out)	3	33%	1/3	0	0/0	2/2	2/2
6 on 6	37	30%	11/29	8			
7 on 5 (GK out)	1	100%	1/1	0	0/0	0/0	0/0
6 on 5 (GK out)	1	0%	0/0	1	0/0	0/0	0/0
6 on 5	5	80%	4/5	0			
6 on 4	4	75%	3/4	0			

Numbers show attacking numbers of opponent. Lower efficiency of opponent means better defense of this team

Jersey number Tot. Total shooting 6m 6m (line) shooting 9m 9m shooting Wng Wing shooting FB Fastbreak sh. 7m 7m penalty sh.
 Brk. Breakthrough sh. LD Long distance sh. As. Assists PC Pass clear chance E7 Earned 7m pen. TF Technical faults St. Steals
 2m 2m punishments C7. Committed 7m E2 Earned 2m pun. YC. Yellow cards R/B Red/Blue cards Blk. Blocks S Starting Line-up



10th Men's Youth (U19) World Championship

Croatia

Final Round, 13-14. place



Match Team Statistics

Match No. 102

Austria 36 - 24 Brazil

(20 - 14) (16 - 10)

11.8.2023. 15:00

Attendance: 50

Josip Samardžija Bepo Hall

Referees: Anđelina Kazanegra (MNE) / Jelena Vujacic (MNE)

Shot distribution by player

2 C. Meleschnig

		1/1

3 C. Möstl

1 post

4 D. Wuzella

2/2	2/2	1/1
		1/1
1/1		1/1

5 M. Rudnicki

1/1		

6 E. Böhm

		1/1
2/2	1/1	

1/1 lob

11 T. Nenadic

		1/1

14 S. Alkic

		1/1
0/1		

15 P. Hofmann

0/1		
1/1		1/1

17 B. Huber

2/2		1/1
1/1		2/2

1 miss.

18 L. Fritsch

		1/2

19 R. König

		0/1

22 S. Wuzella

1/1		
		1/1
		1/1

44 N. Paulsteiner

2/2		1/1

59 P. Wastl

0/1		1/1

TOTAL

5/6	2/2	5/5
0/1		2/2
8/9	1/1	9/11

1 post 1 miss. 1/1 lob

Saves distribution goalkeepers

1 L. Bergmann

1/5		2/3
2/2	2/2	
4/9	0/1	6/10

16 M. Bogojevic

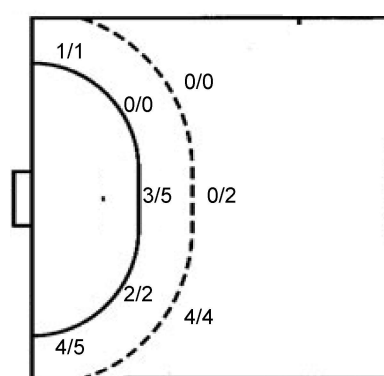
2/4		0/1
1/1		
1/3		1/4

TOTAL

3/9		2/4
3/3	2/2	
5/12	0/1	7/14

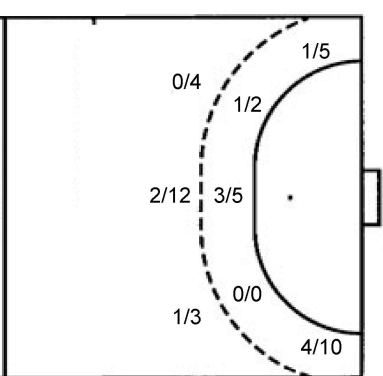
Shots by position

ATTACK



7m penalties 6/6
Fastbreak 6/6
Breakthrough 6/7
Long dist. 4/6

DEFENSE



7m penalties 3/4
Fastbreak 1/1
Breakthrough 8/9
Long dist. 0/0

Shooting statistics

Position	Goals	Sav.	Miss.	Post	Blk.	Total	%
Back (9m)	4	2	0	0	0	6	67
Line (6m)	5	2	0	0	0	7	71
Wing	5	1	0	0	0	6	83
7m penalties	6	0	0	0	0	6	100
Fastbreak	6	0	0	0	0	6	100
Breakthrough	6	0	1	0	0	7	86
Total	32	5	1	0	0	38	84

Jersey number Tot. Total shooting 6m 6m (line) shooting 9m 9m shooting Wng Wing shooting FB Fastbreak sh. 7m 7m penalty sh.
Brk. Breakthrough sh. LD Long distance sh. As. Assists PC Pass clear chance E7 Earned 7m pen. TF Technical faults St. Steals
2m 2m punishments C7. Committed 7m E2 Earned 2m pun. YC. Yellow cards R/B Red/Blue cards Blk. Blocks S Starting Line-up

Handball statistics and livescore by Toma-soft ltd (www.toma-soft.hr)



10th Men's Youth (U19) World Championship

Croatia

Final Round, 13-14. place



Match Team Statistics

Match No. 102

Austria 36 - 24 Brazil

(20 - 14) (16 - 10)

11.8.2023. 15:00

Attendance: 50

Josip Samardžija Bepo Hall

Referees: Andjelina Kazanegra (MNE) / Jelena Vujacic (MNE)

Brazil

#	Surname and name	S	Goals / shots								Attack				Def.			Penalties			TP					
			Tot.	%	9m	6m	Wing	7m	FB	Brk.	LD	As.	PC	E7	E2	TF	St.	C7	Blk	YC		2m	R	B		
5	DE ARAÚJO Sydclebson Aquino		1/1	100					1/1						1											13:39
10	DE SANTANA Diegho Oliveira		0/3	0	0/3										1	1										11:48
11	SANTOS Emerson Alves Dos		1/5	20				1/5								1	2	1		1				1		16:59
12	CÂNDIDO Guilherme Maia	S																		1						23:47
13	DE SOUZA Antonio Victor Ferreira	S	1/1	100			1/1												1					1		23:18
14	SILVA Gustavo Souza Da		0/1	0		0/1									1	1										12:49
15	PERIN Vinicius		3/6	50			3/6																			4:12
16	SILVA Gabriel De Souza																									26:40
17	SILVA Wesley De Jesus Meneses	S													1											44:59
18	BERTOLDO Vinicius		4/8	50	1/5	1/1		1/1		1/1				1	2		1	1								21:18
19	CÂNDIDO Mikael Lopes	S	4/9	44	1/5			1/2		2/2				4	2		2		1							41:30
20	LINDOSO Joao Vitor	S	3/6	50		1/1	1/4		1/1							1	1	1	1							59:33
22	MARCOS Juan Sebastiao																		1					1		31:31
25	OLIVEIRA Luiz Guilherme Da Silva	S	0/1	0		0/1																				23:44
26	SILVA Lucas Gabriel Vieira Da	S	6/11	55	1/6					5/5							2		2							37:27
71	FILHO Marcelo Dos Santos Amaral		1/3	33		1/2				0/1						2		1	2				1			26:42
Team / bench																										
UKUPNO			24/55	44	3/19	4/7	5/15	3/4	1/1	8/9	0/0				8	6	5	6	9	4	5	0	0	4	0	0

#	Surname and name	Saves / shots									
		Tot.	%	9m	6m	Wing	7m	FB	Brk.	LD	
12	CÂNDIDO Guilherme Maia	3/18	17	1/5	1/1	1/4	0/2	0/4	0/2		
16	SILVA Gabriel De Souza	3/21	14	1/1	1/6	0/2	0/4	0/2	0/4	1/2	
TOTAL		6/39	15	2/6	2/7	1/6	0/6	0/6	0/6	1/2	

Coach:

Number of attacks: 62, Efficiency: 39%, Average Duration: 34.69 seconds

Attack by type of defense

	Shots	9m	6m	Wing	TF	E7	E2
On def. 6-0	19/49	3/19	3/6	5/15	9	5	6
Fastbreak	1/1				0	0	0

Defense by type

	Total	9m	6m	Wing	Stl.	C7	2m
Def. 6-0	3/3	0/0	1/1	1/1	1	1	0
Def. 5-1	10/14	1/3	2/2	4/5	3	3	0
Def. 3-3	6/7	3/3	1/2	0/0	0	1	0
Fastbreak	6/6				0	0	4

Attack with superiority / minority / goalkeeper out

	Attack				Reaction		
	Att.	Eff.	Shots	TF	FB	LD	Tot.
7 on 6 (GK out)	11	36%	4/11	0	0/0	1/2	1/2
6 on 6 (GK out)	3	33%	1/3	0	0/0	2/2	2/2
6 on 6	37	30%	11/29	8			
7 on 5 (GK out)	1	100%	1/1	0	0/0	0/0	0/0
6 on 5 (GK out)	1	0%	0/0	1	0/0	0/0	0/0
6 on 5	5	80%	4/5	0			
6 on 4	4	75%	3/4	0			

Player superiority / GK out counted at the end of attack (in case it changes during attack)

Defense with superiority / minority / goalkeeper out

	Attack				Reaction		
	Att.	Eff.	Shots	TF	FB	LD	Tot.
7 on 6 (GK out)	2	100%	2/2	0	0/0	0/0	0/0
6 on 6 (GK out)	4	50%	2/2	2	0/0	0/0	0/0
6 on 5 (GK out)	1	100%	1/1	0	0/0	0/0	0/0
5 on 6 (GK out)	2	0%	0/0	2	0/0	0/0	0/0
6 on 6	46	52%	24/29	17			
6 on 5	5	100%	5/5	0			
5 on 6	1	100%	1/1	0			
5 on 5	1	100%	1/1	0			

Numbers show attacking numbers of opponent. Lower efficiency of opponent means better defense of this team

Jersey number Tot. Total shooting 6m 6m (line) shooting 9m 9m shooting Wng Wing shooting FB Fastbreak sh. 7m 7m penalty sh.
 Brk. Breakthrough sh. LD Long distance sh. As. Assists PC Pass clear chance E7 Earned 7m pen. TF Technical faults St. Steals
 2m 2m punishments C7. Committed 7m E2 Earned 2m pun. YC. Yellow cards R/B Red/Blue cards Blk. Blocks S Starting Line-up



10th Men's Youth (U19) World Championship

Croatia

Final Round, 13-14. place



Match Team Statistics

Match No. 102

Austria 36 - 24 Brazil

(20 - 14) (16 - 10)

11.8.2023. 15:00

Attendance: 50

Josip Samardžija Bepo Hall

Referees: Anđelina Kazanegra (MNE) / Jelena Vujacic (MNE)

Shot distribution by player

5 S. De Araújo

1/1		

10 D. De Santana

		0/1
0/1		
0/1		

11 E. Santos

0/1		
1/1		0/3

13 A. De Souza

		1/1

14 G. Silva

0/1		

15 V. Perin

1/2		
	0/1	
1/2		

17 W. Silva

18 V. Bertoldo

1/1		
0/1		
1/1		2/3

1 post 1 miss.

19 M. Candido

1/1		1/2
0/1	1/1	1/2

1 miss. 1 block

20 J. Lindoso

1/1		
		2/4

0/1 lob

22 J. Marcos

25 L. Oliveira

0/1		

26 L. Silva

2/2		1/1
	0/1	
3/4		

1 post 2 miss.

71 M. Filho

0/1		
		1/1

1 post

TOTAL

6/9		2/4
0/3	0/2	
7/12	1/1	7/14

3 post 4 miss. 1 block 1/2 lob

Saves distribution goalkeepers

12 G. Cândido

1/5		0/2
1/1		
0/5		1/5

16 G. Silva

0/1	0/2	0/3
	1/1	0/2
1/4	0/1	1/6

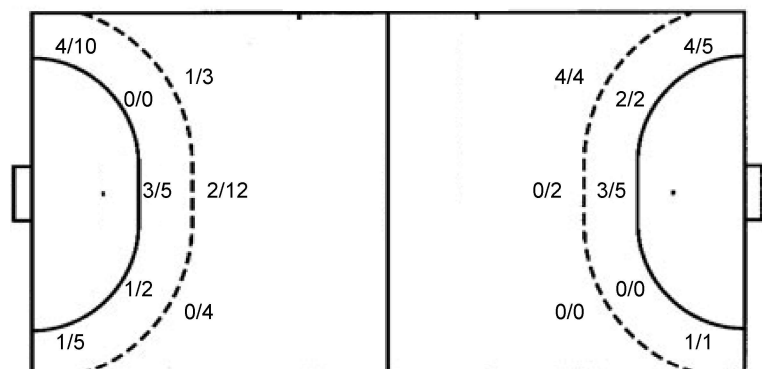
TOTAL

1/6	0/2	0/5
1/1	1/1	0/2
1/9	0/1	2/11

Shots by position

ATTACK

DEFENSE



7m penalties 3/4
Fastbreak 1/1
Breakthrough 8/9
Long dist. 0/0

7m penalties 6/6
Fastbreak 6/6
Breakthrough 6/7
Long dist. 4/6

Shooting statistics

Position	Goals	Sav.	Miss.	Post	Blk.	Total	%
Back (9m)	3	9	4	2	1	19	16
Line (6m)	4	3	0	0	0	7	57
Wing	5	10	0	0	0	15	33
7m penalties	3	1	0	0	0	4	75
Fastbreak	1	0	0	0	0	1	100
Breakthrough	8	0	0	1	0	9	89
Total	24	23	4	3	1	55	44

Jersey number Tot. Total shooting 6m 6m (line) shooting 9m 9m shooting Wng Wing shooting FB Fastbreak sh. 7m 7m penalty sh.
Brk. Breakthrough sh. LD Long distance sh. As. Assists PC Pass clear chance E7 Earned 7m pen. TF Technical faults St. Steals
2m 2m punishments C7. Committed 7m E2 Earned 2m pun. YC. Yellow cards R/B Red/Blue cards Blk. Blocks S Starting Line-up

Handball statistics and livescore by Toma-soft ltd (www.toma-soft.hr)



10th Men's Youth (U19) World Championship

Croatia

Final Round, 13-14. place



Match Team Statistics

Match No. 102

Austria 36 - 24 Brazil

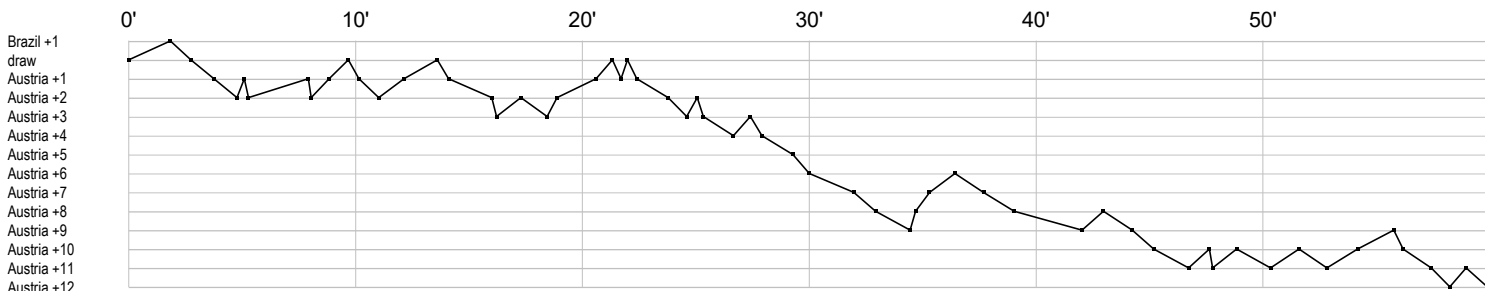
(20 - 14) (16 - 10)

11.8.2023. 15:00

Attendance: 50

Josip Samardžija Bepo Hall

Referees: Andjelina Kazanegra (MNE) / Jelena Vujacic (MNE)



Austria

1 Bergmann L	s r a t a s r r t s r r e r r s a s t r r s 2 s s r g s r a s s s g r r r g s f s s s r s
2 Meleschnig C	2
3 Möstl C	e t a f a
4 Wuzella D	g g t g a g g g g g
5 Rudnicki M	
6 Böhm E	
11 Nenadic T	
14 Alkic S	
15 Hofmann P	
16 Bogojevic M	
17 Huber B	f t g g g
18 Fritsch L	
19 König R	
22 Wuzella S	
44 Paulnsteiner	
59 Wastl P	

Brazil

5 De Araújo S	
10 De Santana D	
11 Santos E	
12 Cândido G	
13 De Souza A	
14 Silva G	
15 Perin V	
16 Silva G	
17 Silva W	
18 Bertoldo V	
19 Candido M	
20 Lindoso J	
22 Marcos J	
25 Oliveira L	
26 Silva L	
71 Filho M	

In game	g Goal scored	f Missed shot	a Assist	t Technical faults	b Steal
2 2min suspension	e Earned 7m	c Committed 7m	y Yellow card	r Red Card	k Blue card
i Earned 2min.	x Block	4 4min suspension	p Pass for clear chance	s Saved shot	r Received goal