



11th IHF Men's Youth World Championship 2025 Egypt

President's Cup - Group I, 2. round

Match Team Statistics

Portugal 41 - 29 Kosovo

12.8.2025. 12:45

Match No. 73

(22 - 11) (19 - 18)

Attendance: 80

Dr Hassan Mustafa Sports

Hall

Referees: Alexys Zuniga (CUB) / Heidy Elsaied (EGY) / Ismailj Metalari (MKD)

Portugal

Players		Goals / shots									Attack				Def.			Penalties			TP				
#	Surname and name	S	Tot.	%	9m	6m	Wing	7m	FB	Brk.	LD	As.	PC	E7	E2	TF	St.	C7	Blk	YC		2m	R	B	
5	LEITE Alexandre	S	5/7	71		1/1	3/5		1/1								2								33:34
11	MAGALHAES Joao		4/4	100			2/2		1/1	1/1								1				1			27:08
13	VASCONCELOS Rafael	S	3/4	75	1/2	1/1				1/1		2	1									1			25:15
14	ABREU Matias		2/3	67	0/1					2/2		5				1									27:55
15	OLIVEIRA Francisco		1/1	100		1/1							1									1			12:03
17	VELASCO Pedro Rafael	S	3/4	75			3/4																		29:43
23	SOUSA Bernardo	S																							40:18
24	GEADA Rodrigo Miguel																								14:34
30	ANASTACIO Leonardo Miguel		1/3	33	1/1	0/1			0/1			3				1									20:00
33	USATIUC Artur		0/1	0	0/1							1						1							33:25
48	SOUSA Tiago	S	4/5	80	3/4	1/1						5	2			1	2	1				1			35:22
53	LOURENCO Joao	S	10/13	77	4/6	2/2		2/2		2/2	0/1	2	1	2	2			1	2						47:57
57	GOMES Gonçalo	S													1			2				1			28:46
67	DIAS Tiago		1/1	100	1/1													1				1			20:58
97	MARTINS Ricardo Alexandre		7/8	88			2/3		4/4	1/1							1								23:02
	Team / bench																								
	TOTAL		41/54	76	10/16	6/7	10/14	2/2	6/7	7/7	0/1	18	5	2	3	6	2	7	2	0	6	0	0		

Goalkeepers		Saves / shots								
#	Surname and name	Tot.	%	9m	6m	Wing	7m	FB	Brk.	LD
23	SOUSA Bernardo	8/27	30	4/8	0/6	3/7	0/2	0/1	1/3	
24	GEADA Rodrigo Miguel	1/11	9	1/4		0/1	0/4		0/2	
	TOTAL	9/38	24	5/12	0/6	3/8	0/6	0/1	1/5	0/0

Coach: Ricardo Santos

Number of attacks: 57, Efficiency: 72%, Average Duration: 26.30 seconds

Attack by type of defense

	Shots	9m	6m	Wing	TF	E7	E2
On def. 6-0	32/43	10/16	5/6	10/14	6	2	3
Fastbreak	6/7				0	0	0

Defense by type

	Total	9m	6m	Wing	Stl.	C7	2m
Def. 6-0	22/40	7/18	6/7	5/9	2	7	0
Fastbreak	1/1				0	0	6

Attack with superiority / minority / goalkeeper out

	Attack				Reaction		
	Att.	Eff.	Shots	TF	FB	LD	Tot.
7 on 6 (GK out)	2	100%	2/2	0	0/0	0/0	0/0
6 on 6 (GK out)	4	75%	3/3	1	0/0	0/0	0/0
6 on 5 (GK out)	2	50%	1/2	0	0/0	0/0	0/0
6 on 6	41	78%	32/37	4			
6 on 5	4	25%	1/4	0			
5 on 6	4	50%	2/3	1			

Player superiority / GK out counted at the end of attack (in case it changes during attack)

Defense with superiority / minority / goalkeeper out

	Attack				Reaction		
	Att.	Eff.	Shots	TF	FB	LD	Tot.
7 on 6 (GK out)	2	50%	1/1	1	0/0	0/0	0/0
6 on 6 (GK out)	4	0%	0/2	2	0/0	0/1	0/1
6 on 6	40	53%	21/32	8			
6 on 5 (GK out)	1	100%	1/1	0	0/0	0/0	0/0
6 on 5	10	60%	6/10	0			

Numbers show attacking numbers of opponent. Lower efficiency of opponent means better defense of this team

Jersey number Tot. Total shooting 6m 6m (line) shooting 9m 9m shooting Wng Wing shooting FB Fastbreak sh. 7m 7m penalty sh.
 Brk. Breakthrough sh. LD Long distance sh. As. Assists PC Pass clear chance E7 Earned 7m pen. TF Technical faults St. Steals
 2m 2m punishments C7. Committed 7m E2 Earned 2m pun. YC. Yellow cards R/B Red/Blue cards Blk. Blocks S Starting Line-up

Handball statistics and livescore by Toma-soft ltd (www.toma-soft.hr)



11th IHF Men's Youth World Championship 2025 Egypt

President's Cup - Group I, 2. round

Match Team Statistics
Match No. 73

Portugal 41 - 29 Kosovo
(22 - 11) (19 - 18)

12.8.2025. 12:45
Attendance: 80
Dr Hassan Mustafa Sports
Hall

Referees: Alexys Zuniga (CUB) / Heidy Elsaied (EGY) / Ismailj Metalari (MKD)

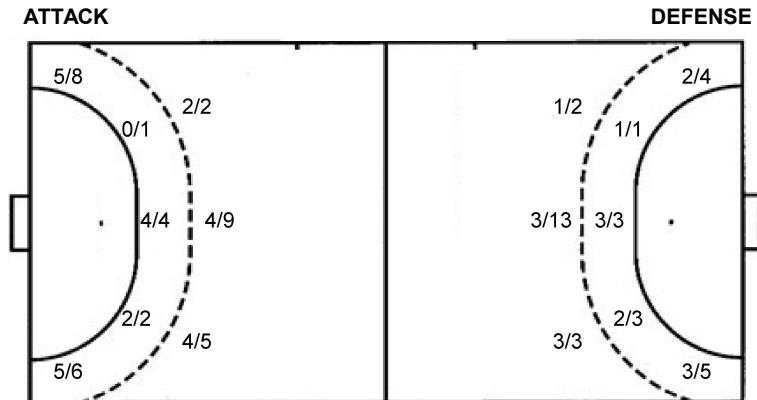
Shot distribution by player

5 A. Leite 1/1 1/1 1/2 0/1 1/1 1/1	11 J. Magalhaes 2/2 1/1 1/1	13 R. Vasconcelos 1/1 1/1 1/2	14 M. Abreu 1/1 1/1 0/1 1/1 lob	15 F. Oliveira 1/1	17 P. Velasco 1/1 1/1 1 post	30 L. Anastácio 1/1 0/1 0/1
33 A. Usatiuc 1 post	48 T. Sousa 1/1 1/2	53 J. Lourenco 0/2 2/2 1/1 4/4 3/3 1 block	57 G. Gomes	67 T. Dias 1/1	97 R. Martins 3/3 1/1 1/2 1/1 lob	TOTAL 4/4 2/4 6/7 5/6 0/1 3/5 10/10 1/1 8/11 2 post 1 block 2/2 lob

Saves distribution goalkeepers

23 B. Sousa 0/2 2/4 0/3 2/2 2/2 0/1 1/5 1/2 0/6	24 R. Geada 0/2 1/2 0/2 0/4	TOTAL 0/2 2/4 0/3 2/4 2/2 1/3 1/7 1/2 0/10
-----------------------------------------------------------------	---------------------------------------	------------------------------------------------------------

Shots by position



7m penalties 2/2
Fastbreak 6/7
Breakthrough 7/7
Long dist. 0/1

7m penalties 6/7
Fastbreak 1/1
Breakthrough 4/6
Long dist. 0/0

Shooting statistics

Position	Goals	Sav.	Miss.	Post	Blk.	Total	%
Back (9m)	10	4	0	1	1	16	63
Line (6m)	6	1	0	0	0	7	86
Wing	10	3	0	1	0	14	71
7m penalties	2	0	0	0	0	2	100
Fastbreak	6	1	0	0	0	7	86
Breakthrough	7	0	0	0	0	7	100
Total	41	9	0	2	1	53	77

Jersey number Tot. Total shooting 6m 6m (line) shooting 9m 9m shooting Wng Wing shooting FB Fastbreak sh. 7m 7m penalty sh.
Brk. Breakthrough sh. LD Long distance sh. As. Assists PC Pass clear chance E7 Earned 7m pen. TF Technical faults St. Steals
2m 2m punishments C7. Committed 7m E2 Earned 2m pun. YC. Yellow cards R/B Red/Blue cards Blk. Blocks S Starting Line-up



11th IHF Men's Youth World Championship 2025 Egypt

President's Cup - Group I, 2. round

Match Team Statistics
Match No. 73

Portugal 41 - 29 Kosovo
(22 - 11) (19 - 18)

12.8.2025. 12:45
Attendance: 80
Dr Hassan Mustafa Sports
Hall

Referees: Alexys Zuniga (CUB) / Heidy Elsaied (EGY) / Ismailj Metalari (MKD)

Kosovo

Players		Goals / shots									Attack					Def.			Penalties			TP			
#	Surname and name	S	Tot.	%	9m	6m	Wing	7m	FB	Brk.	LD	As.	PC	E7	E2	TF	St.	C7	Blk	YC	2m		R	B	
1	KABASHI Olt	S																							36:04
3	BEQIRI Eris																								1:01
6	BAJRAMAJ Erion		0/1	0			0/1																		16:53
7	IMERAJ Bleron	S	1/1	100		1/1								1				2				1			31:12
8	ISTREFAJ Ilir		0/1	0			0/1										1								21:01
10	MULAJ Olsi	S	8/14	57	1/7	1/1		5/5		1/1		3	2		2	5									49:21
11	XHEMAJLI Lum		1/1	100						1/1		1		2	2	1									19:58
15	MUQOLLI Amar	S	9/14	64	5/9	1/2	1/1			2/2		1				1						1			50:30
20	KUÇI Perparim																								21:09
23	HAJRA Edonis		1/1	100	1/1							1		1											19:47
24	PAJAZITI Suad	S	4/7	57	0/1	1/1	2/2	1/2		0/1		1	1	2	2	1									46:08
26	ISTREFI Drijon	S	2/2	100		2/2								1		1	1		1			1			43:17
71	THERKELSEN Vinsent		0/1	0						0/1		1				2									8:20
73	KADIRI Granit	S	1/3	33			1/3																		23:57
93	THAQI Arbian		2/2	100			1/1		1/1																25:45
96	AJVAZI Diolen																								5:37
	Team / bench																								
	TOTAL		29/48	60	7/18	6/7	5/9	6/7	1/1	4/6	0/0	8	3	7	6	11	2	2	1	0	3	0	0		

Goalkeepers		Saves / shots									
#	Surname and name	Tot.	%	9m	6m	Wing	7m	FB	Brk.	LD	
1	KABASHI Olt	8/34	24	4/8	1/5	1/8	0/2	1/5	0/5	1/1	
20	KUÇI Perparim	2/17	12	0/6	0/2	2/5		0/2	0/2		
	TOTAL	10/51	20	4/14	1/7	3/13	0/2	1/7	0/7	1/1	

Coach: **Fatmir Muhaxheri**

Number of attacks: 57, Efficiency: 51%, Average Duration: 36.86 seconds

Attack by type of defense

	Shots	9m	6m	Wing	TF	E7	E2
On def. 6-0	22/40	7/18	6/7	5/9	11	7	6
Fastbreak	1/1				0	0	0

Defense by type

	Total	9m	6m	Wing	Stl.	C7	2m
Def. 6-0	32/43	10/16	5/6	10/14	2	2	0
Fastbreak	6/7				0	0	3

Attack with superiority / minority / goalkeeper out

	Attack				Reaction		
	Att.	Eff.	Shots	TF	FB	LD	Tot.
7 on 6 (GK out)	2	50%	1/1	1	0/0	0/0	0/0
6 on 6 (GK out)	4	0%	0/2	2	0/0	0/1	0/1
6 on 6	40	53%	21/32	8			
6 on 5 (GK out)	1	100%	1/1	0	0/0	0/0	0/0
6 on 5	10	60%	6/10	0			

Player superiority / GK out counted at the end of attack (in case it changes during attack)

Defense with superiority / minority / goalkeeper out

	Attack				Reaction		
	Att.	Eff.	Shots	TF	FB	LD	Tot.
7 on 6 (GK out)	2	100%	2/2	0	0/0	0/0	0/0
6 on 6 (GK out)	4	75%	3/3	1	0/0	0/0	0/0
6 on 5 (GK out)	2	50%	1/2	0	0/0	0/0	0/0
6 on 6	41	78%	32/37	4			
6 on 5	4	25%	1/4	0			
5 on 6	4	50%	2/3	1			

Numbers show attacking numbers of opponent. Lower efficiency of opponent means better defense of this team

Jersey number Tot. Total shooting 6m 6m (line) shooting 9m 9m shooting Wng Wing shooting FB Fastbreak sh. 7m 7m penalty sh.
 Brk. Breakthrough sh. LD Long distance sh. As. Assists PC Pass clear chance E7 Earned 7m pen. TF Technical faults St. Steals
 2m 2m punishments C7. Committed 7m E2 Earned 2m pun. YC. Yellow cards R/B Red/Blue cards Blk. Blocks S Starting Line-up



11th IHF Men's Youth World Championship 2025 Egypt

President's Cup - Group I, 2. round

Match Team Statistics
Match No. 73

Portugal 41 - 29 Kosovo
(22 - 11) (19 - 18)

12.8.2025. 12:45
Attendance: 80
Dr Hassan Mustafa Sports
Hall

Referees: Alexys Zuniga (CUB) / Heidy Elsaied (EGY) / Ismailj Metalari (MKD)

Shot distribution by player

3 E. Beqiri [3x3 grid]	6 E. Bajramaj [3x3 grid] 1 post	7 B. Imeraj [3x3 grid] 1/1	8 I. Istrefaj [3x3 grid] 0/1	10 O. Mulaj [3x3 grid] 1/1 0/2 1/1 2/2 4/4 3 post 1 miss.	11 L. Xhemajli [3x3 grid] 1/1	15 A. Muqolli [3x3 grid] 2/2 1/2 2/2 1/2 1/1 1/1 1/1 1 miss. 2 block
23 E. Hajra [3x3 grid] 1/1	24 S. Pajaziti [3x3 grid] 1/1 1/1 0/1 1/2 1/1 1 post	26 D. Istrefi [3x3 grid] 1/1 1/1	71 V. Therkelsen [3x3 grid] 1 post	73 G. Kadiri [3x3 grid] 0/1 0/1 1/1	93 A. Thaqi [3x3 grid] 1/1 1/1 lob	96 D. Ajvazi [3x3 grid]

TOTAL

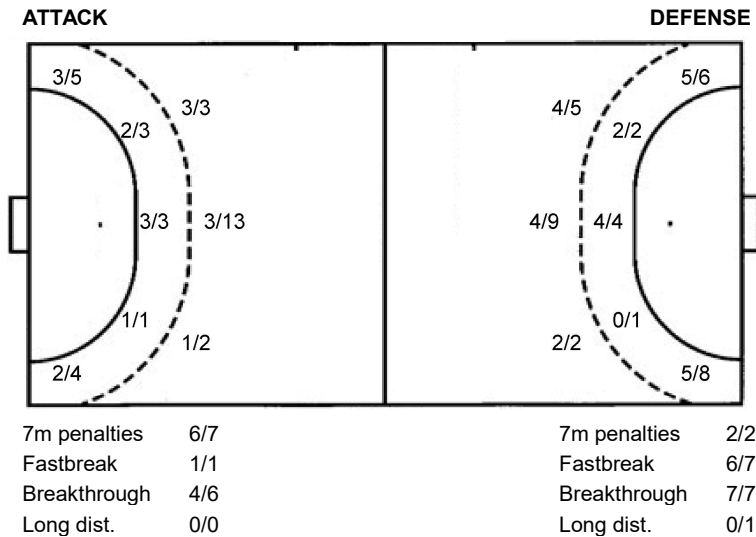
2/2	2/4	3/3
2/4	0/2	2/3
6/7	1/2	10/10

6 post 2 miss. 2 block 1/1 lob

Saves distribution goalkeepers

1 O. Kabashi [3x3 grid] 0/3 2/4 0/6 1/4 1/1 2/3 0/5 2/7	20 P. Kuçi [3x3 grid] 0/1 1/1 0/2 0/2 0/5 0/1 1/4	TOTAL [3x3 grid] 0/4 2/4 1/7 1/6 1/1 2/5 0/10 0/1 3/11
----------------------------------------------------------------------------	----------------------------------------------------------------------	---------------------------------------------------------------------------

Shots by position



Shooting statistics

Position	Goals	Sav.	Miss.	Post	Blk.	Total	%
Back (9m)	7	5	1	3	2	18	39
Line (6m)	6	0	1	0	0	7	86
Wing	5	3	0	1	0	9	56
7m penalties	6	0	0	1	0	7	86
Fastbreak	1	0	0	0	0	1	100
Breakthrough	4	1	0	1	0	6	67
Total	29	9	2	6	2	48	60

Jersey number Tot. Total shooting 6m 6m (line) shooting 9m 9m shooting Wng Wing shooting FB Fastbreak sh. 7m 7m penalty sh.
 Brk. Breakthrough sh. LD Long distance sh. As. Assists PC Pass clear chance E7 Earned 7m pen. TF Technical faults St. Steals
 2m 2m punishments C7. Committed 7m E2 Earned 2m pun. YC. Yellow cards R/B Red/Blue cards Blk. Blocks S Starting Line-up



11th IHF Men's Youth World Championship 2025 Egypt

President's Cup - Group I, 2. round

Match Team Statistics

Match No. 73

Portugal 41 - 29 Kosovo

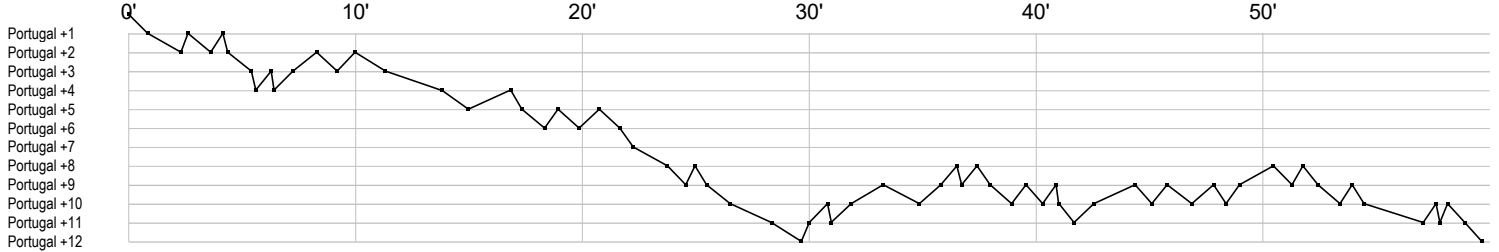
(22 - 11) (19 - 18)

12.8.2025. 12:45

Attendance: 80

Dr Hassan Mustafa Sports Hall

Referees: Alexys Zuniga (CUB) / Heidy Elsaied (EGY) / Ismailj Metalari (MKD)



Portugal

5 Leite A	g g t	t g	g f g	f		
11 Magalhaes J			2		c	g g g
13 Vasconcelos	a g	f 2		a	g p g	
14 Abreu M			a a g f		a	g t a a a
15 Oliveira F				p		2 g
17 Velasco P	g g	f			g	
23 Sousa B	r r r r r	s r sr	r s sr s s s	r r r r r r r	rs r	
24 Geada R					f r r s r r r	r r r r r
30 Anastácio L		f a a f				g t a
33 Usatiuc A				f		c a
48 Sousa T	a a a g bt	g g bp	a f p	c2		a g
53 Lourenco J	fg	eg x gi cp f	f g eg g x		a g a g g g i	
57 Gomes G		2c			i c	
67 Dias T					g	2 c
97 Martins R			t g g g g g		f	g g

Kosovo

1 Kabashi O	r r r r r r r	r s r	sr r r s r sr	r r r r r r r	r s s r r r r	
3 Beqiri E						
6 Bajramaj E						f
7 Imeraj B		c			e g	2
8 Istrefaj I			b	f		
10 Mulaj O	a t a	t f g t	f i f p f	g	f a g	g g g gi p g f t t
11 Xhemajli L		e i		a t	gi	e
15 Muqolli A	g g f	2	fa g f t f	g g g g g		g
20 Kuçi P				r r r r s r	sr r	r r r r r r r r
23 Hajra E					a	e g
24 Pajaziti S		i e g g g	f t f g	p	a	i e f
26 Istrefi D	x g	b t		g	2	e
71 Therkselsen V	t a	f t				
73 Kadiri G			f g	f		
93 Thaqi A					g	g
96 Ajvazi D						

In game	g Goal scored	f Missed shot	a Assist	t Technical faults	b Steal
2 2min suspension	e Eearned 7m	c Committed 7m	y Yellow card	r Red Card	k Blue card
i Eearned 2min.	x Block	4 4min suspension	p Pass for clear chance	s Saved shot	r Received goal