



# 5th IHF Men's Emerging Nations Championship 2025



Final Round, Semifinals

Match Team Statistics

Match No. 16

## USA 25 - 29 Great Britain

(14 - 13) (11 - 16)

15.3.2025. 20:15

Attendance: 60

Palace of Culture and Sports

Referees: Tatjana Prastalo (BIH) / Jacob Pagh (DEN) / Khasan Ismoilov (UZB)

### USA

#	Surname and name	S	Goals / shots								Attack					Def.			Penalties			TP			
			Tot.	%	9m	6m	Wing	7m	FB	Brk.	LD	As.	PC	E7	E2	TF	St.	C7	Blk	YC	2m		R	B	
1	MERKOVSKY Pal	S																							49:13
2	PHILLIPS Gary		5/8	63			3/6	1/1		1/1		1				2								1	52:07
5	AMITOVIC Amar	S	2/10	20	1/6					1/3	0/1	4	2	1	4										59:22
6	STROMBERG Jonas	S	4/6	67	2/3		1/1	1/1		0/1		8	3		1	1	1	2					2		58:24
10	HUNYADI Dániel																1								19:03
15	HANSEN Lukas	S	8/9	89		1/1	6/6			1/2					1								1		56:01
17	DONLIN Andrew	S	3/7	43		3/4				0/1	0/1	1	1	1	1	2	1	1							55:38
22	EDWARDS Oliver																								2:50
26	WALKER Matisse	S	1/3	33	0/1					1/2		1			3										15:51
29	GUARINO Sigurdur		1/2	50		1/2									1	1	1						1		26:17
48	BINDERIS Maximillian	S																						1	16:56
56	HAMM Aaron		1/3	33	1/2					0/1					1										8:18
88	CERCOLA Mattia																								
	Team / bench																						1		
	TOTAL		25/48	52	4/12	5/7	10/13	2/2	1/3	3/9	0/2	15	6	1	2	15	3	4	2	1	6	0	0		

#	Surname and name	Saves / shots								
		Tot.	%	9m	6m	Wing	7m	FB	Brk.	LD
1	MERKOVSKY Pal	17/45	38	10/16	1/9	2/9	2/3	1/1	1/7	
88	CERCOLA Mattia									
	TOTAL	17/45	38	10/16	1/9	2/9	2/3	1/1	1/7	0/0

Coach: Robert Hedin

Number of attacks: 60, Efficiency: 42%, Average Duration: 29.23 seconds

### Attack by type of defense

	Shots	9m	6m	Wing	TF	E7	E2
On def. 6-0	20/39	4/12	4/6	10/13	15	1	2
Fastbreak	1/3				0	0	0

### Defense by type

	Total	9m	6m	Wing	Stl.	C7	2m
Def. 6-0	24/44	6/21	8/9	7/10	3	4	6
Def. press.	2/3	0/1	0/0	0/0	0	0	0
Fastbreak	1/2				0	0	0

### Attack with superiority / minority / goalkeeper out

	Attack				Reaction		
	Att.	Eff.	Shots	TF	FB	LD	Tot.
7 on 6 (GK out)	8	50%	4/7	1	0/0	0/0	0/0
7 on 5 (GK out)	1	0%	0/1	0	0/0	0/0	0/0
6 on 6 (GK out)	8	25%	2/5	3	1/1	0/1	1/2
6 on 6	34	44%	15/27	7			
6 on 5	5	60%	3/4	1			
5 on 6	3	33%	1/1	2			
5 on 5	1	0%	0/0	1			

Player superiority / GK out counted at the end of attack (in case it changes during attack)

### Defense with superiority / minority / goalkeeper out

	Attack				Reaction		
	Att.	Eff.	Shots	TF	FB	LD	Tot.
7 on 6 (GK out)	7	57%	4/5	2	0/1	0/0	0/1
6 on 6 (GK out)	3	33%	1/3	0	0/0	0/0	0/0
6 on 6	34	47%	16/28	6			
5 on 6	1	0%	0/1	0			
7 on 5 (GK out)	2	50%	1/2	0	0/0	0/0	0/0
6 on 5 (GK out)	1	100%	1/1	0	0/0	0/0	0/0
6 on 5	9	56%	5/8	1			
6 on 4	1	100%	1/1	0			

Numbers show attacking numbers of opponent. Lower efficiency of opponent means better defense of this team

# Jersey number Tot. Total shooting 6m 6m (line) shooting 9m 9m shooting Wng Wing shooting FB Fastbreak sh. 7m 7m penalty sh.  
 Brk. Breakthrough sh. LD Long distance sh. As. Assists PC Pass clear chance E7 Earned 7m pen. TF Technical faults St. Steals  
 2m 2m punishments C7. Committed 7m E2 Earned 2m pun. YC. Yellow cards R/B Red/Blue cards Blk. Blocks S Starting Line-up



# 5th IHF Men's Emerging Nations Championship 2025



Final Round, Semifinals

## Match Team Statistics

Match No. 16

## USA 25 - 29 Great Britain

(14 - 13) (11 - 16)

15.3.2025. 20:15

Attendance: 60

Palace of Culture and Sports

Referees: Tatjana Prastalo (BIH) / Jacob Pagh (DEN) / Khasan Ismoilov (UZB)

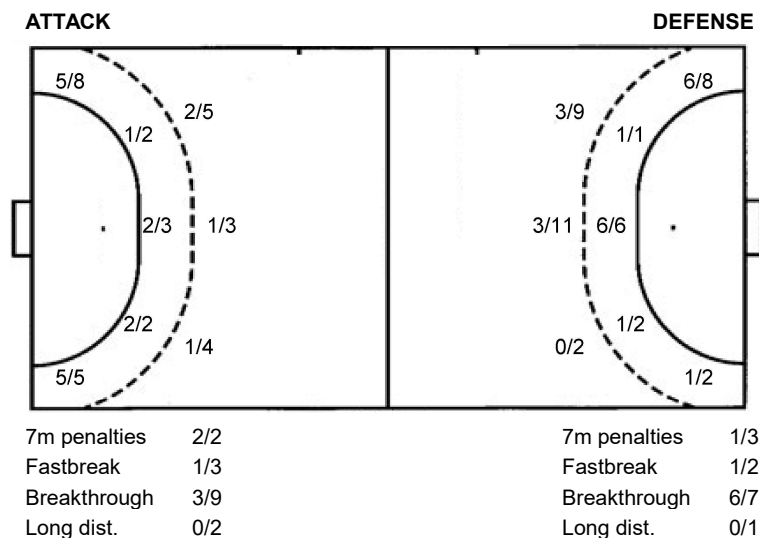
## Shot distribution by player

<b>2 G. Phillips</b> 0/1 lob 2/2 3/4	<b>5 A. Amitovic</b> 4 miss. 0/1 0/1 1/1 1/1 0/1	<b>6 J. Stromberg</b> 2/2 0/1 1/1 0/1 1/1	<b>10 D. Hunyadi</b>	<b>15 L. Hansen</b> 2/2 1/1 3/4 2/2	<b>17 A. Donlin</b> 1/1 lob 0/2 1/1 0/1 1/1	<b>22 O. Edwards</b>
<b>26 M. Walker</b> 1 miss. 1/1 0/1	<b>29 S. Guarino</b> 1/2	<b>48 M. Binderis</b>	<b>56 A. Hamm</b> 1 miss. 0/1 1/1	<b>TOTAL</b> 6 miss. 1/2 lob 2/3 2/2 0/3 3/7 0/1 5/6 3/4 0/2 9/12		

## Saves distribution goalkeepers

<b>1 P. Merkovszky</b> 1/2 1/7 3/3 4/8 1/4 4/8 3/10	<b>88 M. Cercola</b>	<b>TOTAL</b> 1/2 1/7 3/3 4/8 1/4 4/8 3/10
--	----------------------	--

## Shots by position



## Shooting statistics

Position	Goals	Sav.	Miss.	Post	Blk.	Total	%
Back (9m)	4	6	2	0	0	12	33
Line (6m)	5	2	0	0	0	7	71
Wing	10	3	0	0	0	13	77
7m penalties	2	0	0	0	0	2	100
Fastbreak	1	2	0	0	0	3	33
Breakthrough	3	3	3	0	0	9	33
<b>Total</b>	<b>25</b>	<b>16</b>	<b>5</b>	<b>0</b>	<b>0</b>	<b>46</b>	<b>54</b>

# Jersey number    Tot. Total shooting    6m 6m (line) shooting    9m 9m shooting    Wng Wing shooting    FB Fastbreak sh.    7m 7m penalty sh.  
 Brk. Breakthrough sh.    LD Long distance sh.    As. Assists    PC Pass clear chance    E7 Earned 7m pen.    TF Technical faults    St. Steals  
 2m 2m punishments    C7. Committed 7m    E2 Earned 2m pun.    YC. Yellow cards    R/B Red/Blue cards    Blk. Blocks    S Starting Line-up



# 5th IHF Men's Emerging Nations Championship 2025



Final Round, Semifinals

Match Team Statistics  
Match No. 16

**USA 25 - 29 Great Britain**  
(14 - 13) (11 - 16)

15.3.2025. 20:15  
Attendance: 60  
Palace of Culture and Sports

Referees: Tatjana Prastalo (BIH) / Jacob Pagh (DEN) / Khasan Ismoilov (UZB)

## Great Britain

#	Surname and name	S	Goals / shots								Attack				Def.			Penalties			TP															
			Tot.	%	9m	6m	Wing	7m	FB	Brk.	LD	As.	PC	E7	E2	TF	St.	C7	Blk	YC		2m	R	B												
1	FERRIER Kylian	S										1												53:16												
3	HIREL Jeremy		2/2	100			2/2										1	1						11:16												
5	WARDLE Reuben	S	5/8	63	2/5	1/1				2/2		1		1	1	3	1							55:27												
14	PEREIRA Francisco	S	8/15	53	3/8	1/1		1/2		3/3	0/1	1				3	1					1		59:54												
17	TYLER Oliver	S	4/5	80		4/5								1	1		1						1	60:00												
23	ADAMSON James																																			
34	VELLENOWETH Sebastian	S	3/12	25	1/9	1/1				1/2		7	4			1						1		54:15												
71	CHRISTY Louis Daniel	S	5/9	56		4/6	0/1	1/2								2	1							48:21												
73	LUDEVIG-VIEIRA Wendell																																			
75	DAMIANOU Robert																																			
78	CHIGOZIE Emmanuel		1/1	100		1/1								1	1									10:37												
80	HOWES Remy	S	1/2	50		1/2						1												58:06												
81	TRENT Alex Michael																1							4:53												
82	VELLENOWETH Theo											1		1	2									3:55												
Team / bench																																				
TOTAL			29/54	54	6/22	8/9	7/10	1/3	1/2	6/7	0/1	11	5	4	5	9	6	1	0	1	3	0	0													

Goalkeepers		Saves / shots								
#	Surname and name	Tot.	%	9m	6m	Wing	7m	FB	Brk.	LD
1	FERRIER Kylian	17/42	40	6/10	2/7	3/13	0/2	2/3	3/6	1/1
23	ADAMSON James									
TOTAL		17/42	40	6/10	2/7	3/13	0/2	3/3	3/6	1/1

Coach: Ricardo Vasconcelos

Number of attacks: 58, Efficiency: 50%, Average Duration: 31.83 seconds

### Attack by type of defense

	Shots	9m	6m	Wing	TF	E7	E2
On def. 6-0	24/44	6/21	8/9	7/10	9	4	5
On def. press.	2/3	0/1	0/0	0/0	0	0	0
Fastbreak	1/2				0	0	0

### Defense by type

	Total	9m	6m	Wing	Stl.	C7	2m
Def. 6-0	20/39	4/12	4/6	10/13	6	1	3
Fastbreak	1/3				0	0	0

### Attack with superiority / minority / goalkeeper out

	Attack				Reaction		
	Att.	Eff.	Shots	TF	FB	LD	Tot.
7 on 6 (GK out)	7	57%	4/5	2	0/1	0/0	0/1
6 on 6 (GK out)	3	33%	1/3	0	0/0	0/0	0/0
6 on 6	34	47%	16/28	6			
5 on 6	1	0%	0/1	0			
7 on 5 (GK out)	2	50%	1/2	0	0/0	0/0	0/0
6 on 5 (GK out)	1	100%	1/1	0	0/0	0/0	0/0
6 on 5	9	56%	5/8	1			
6 on 4	1	100%	1/1	0			

Player superiority / GK out counted at the end of attack (in case it changes during attack)

### Defense with superiority / minority / goalkeeper out

	Attack				Reaction		
	Att.	Eff.	Shots	TF	FB	LD	Tot.
7 on 6 (GK out)	8	50%	4/7	1	0/0	0/0	0/0
7 on 5 (GK out)	1	0%	0/1	0	0/0	0/0	0/0
6 on 6 (GK out)	8	25%	2/5	3	1/1	0/1	1/2
6 on 6	34	44%	15/27	7			
6 on 5	5	60%	3/4	1			
5 on 6	3	33%	1/1	2			
5 on 5	1	0%	0/0	1			

Numbers show attacking numbers of opponent. Lower efficiency of opponent means better defense of this team

# Jersey number    Tot. Total shooting    6m 6m (line) shooting    9m 9m shooting    Wng Wing shooting    FB Fastbreak sh.    7m 7m penalty sh.  
Brk. Breakthrough sh.    LD Long distance sh.    As. Assists    PC Pass clear chance    E7 Earned 7m pen.    TF Technical faults    St. Steals  
2m 2m punishments    C7. Committed 7m    E2 Earned 2m pun.    YC. Yellow cards    R/B Red/Blue cards    Blk. Blocks    S Starting Line-up

Handball statistics and livescore by Toma-soft Ltd (www.toma-soft.hr)



# 5th IHF Men's Emerging Nations Championship 2025



Final Round, Semifinals

Match Team Statistics

Match No. 16

## USA 25 - 29 Great Britain

(14 - 13) (11 - 16)

15.3.2025. 20:15

Attendance: 60

Palace of Culture and Sports

Referees: Tatjana Prastalo (BIH) / Jacob Pagh (DEN) / Khasan Ismoilov (UZB)

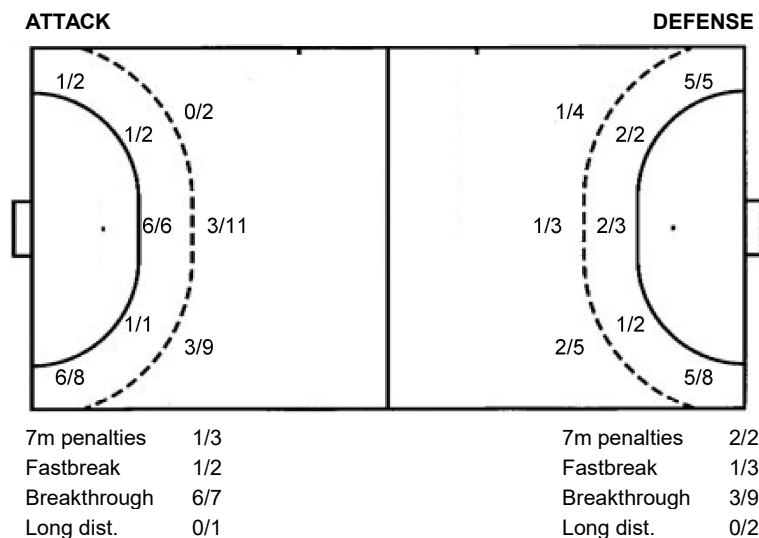
### Shot distribution by player

<b>3 J. Hirel</b>	<b>5 R. Wardle</b>	<b>14 F. Pereira</b>	<b>17 O. Tyler</b>	<b>34 S. Vellenoweth</b>	<b>71 L. Christy</b>	<b>73 W. Ludevig-Vieira</b>
1/1	1/1	1/1	1/1	0/1	1/2	
1/1	0/2	2/2	0/1	1/1	1/1	
1/1	2/2	1/1	1/2	0/1	0/2	
	1/1	2/4	1/1	0/1	1/2	
	1 miss.	2 miss. 1 block	3/4	1 post 1 miss. 1 block	1/1 lob	
<b>75 R. Damianou</b>	<b>78 E. Chigozie</b>	<b>80 R. Howes</b>	<b>81 A. Trent</b>	<b>82 T. Vellenoweth</b>	<b>TOTAL</b>	
	1/1				1/2	1/1
					6/7	1/4
					3/4	4/8
					1 post 5 miss. 2 block 2/2 lob	7/10

### Saves distribution goalkeepers

<b>1 K. Ferrier</b>	<b>23 J. Adamson</b>	<b>TOTAL</b>
1/3		1/3
0/2		0/2
3/3		3/3
4/7		4/7
1/1		1/1
1/6		1/6
1/4		1/4
2/2		2/2
3/12		3/12

### Shots by position



### Shooting statistics

Position	Goals	Sav.	Miss.	Post	Blk.	Total	%
Back (9m)	6	10	3	1	2	22	27
Line (6m)	8	1	0	0	0	9	89
Wing	7	2	1	0	0	10	70
7m penalties	1	2	0	0	0	3	33
Fastbreak	1	1	0	0	0	2	50
Breakthrough	6	1	0	0	0	7	86
<b>Total</b>	<b>29</b>	<b>17</b>	<b>4</b>	<b>1</b>	<b>2</b>	<b>53</b>	<b>55</b>

# Jersey number Tot. Total shooting 6m 6m (line) shooting 9m 9m shooting Wng Wing shooting FB Fastbreak sh. 7m 7m penalty sh.  
 Brk. Breakthrough sh. LD Long distance sh. As. Assists PC Pass clear chance E7 Earned 7m pen. TF Technical faults St. Steals  
 2m 2m punishments C7. Committed 7m E2 Earned 2m pun. YC. Yellow cards R/B Red/Blue cards Blk. Blocks S Starting Line-up



# 5th IHF Men's Emerging Nations Championship 2025



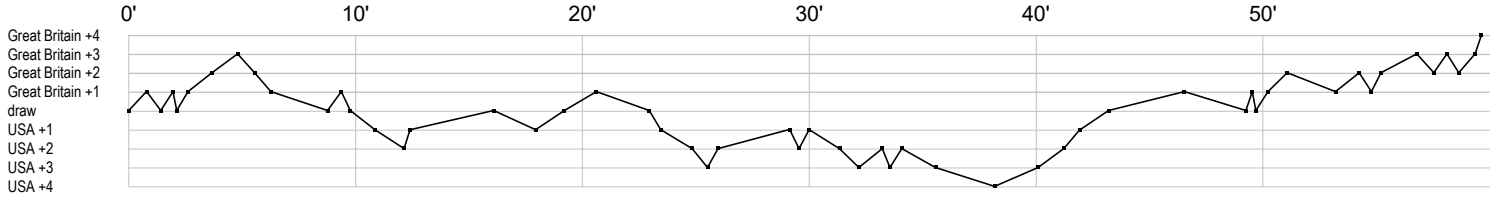
## Final Round, Semifinals

Match Team Statistics  
Match No. 16

**USA 25 - 29 Great Britain**  
(14 - 13) (11 - 16)

15.3.2025. 20:15  
Attendance: 60  
Palace of Culture and Sports

Referees: Tatjana Prastalo (BIH) / Jacob Pagh (DEN) / Khasan Ismoilov (UZB)



### USA

1	Merkovszky P	r r r   r s sr sr s r r sr s   s r s r r s sr r s s   s s r r r r r s sr r r s r r r r rr		
2	Phillips G	g t   f g   g f g a 2   g t		
5	Amitovic A	ff a g f   t t t a   f a p f at f p   f i g		
6	Stromberg J	g   b g a a 2   x p   a a a x a g f a p f p a   g t c2		
10	Hunyadi D	c		
15	Hansen L	g g   g g   g g   f t   2		
17	Donlin A	c i   g b   t g fa p   f   g t   f f e		
22	Edwards O			
26	Walker M	f a t     t   f     t     g		
29	Guarino S		g   f b   t2c	
48	Binderis M	2		
56	Hamm A	g   f             t f		
88	Cercola M			

### Great Britain

1	Ferrier K	s r r   ss r r r   r r   r r s   s r r r sr s s r   r r r s r ps   r   s s s   s   r r   r r s   s r r							
3	Hirel J								g g   c b
5	Wardle R	g   f t     i b t e   g   g t g   f     a   f   g							
14	Pereira F	f g   t   f   g f b   g f   g f f   f   a t t g   g   2   g g							
17	Tyler O	e   2   g b   g f   g   g   i							
23	Adamson J								
34	Vellenoweth S	g   f   ff   t a p f   p p f   a a f   f2   f   a a   p g   a a g f							
71	Christy L	g g   g   t   f   t   f   g g b   f f							
73	Ludevig-Vieira								
75	Damianou R								
78	Chigozie E						g   i e		
80	Howes R			f			g             a		
81	Trent A	b							
82	Vellenoweth T	i a							ei

In game	<b>g</b> Goal scored	<b>f</b> Missed shot	<b>a</b> Assist	<b>t</b> Technical faults	<b>b</b> Steal
<b>2</b> 2min suspension	<b>e</b> Eearned 7m	<b>c</b> Committed 7m	<b>y</b> Yellow card	<b>r</b> Red Card	<b>k</b> Blue card
<b>i</b> Eearned 2min.	<b>x</b> Block	<b>4</b> 4min suspension	<b>p</b> Pass for clear chance	<b>s</b> Saved shot	<b>r</b> Received goal