



# 25th IHF Women's Junior World Championship 2026



President's Cup - Group IV, 2. round

Match Team Statistics

Match No. 78

## Chinese Taipei 16 - 33 Croatia

(9 - 18) (7 - 15)

30.6.2026. 14:00

Attendance: 370

Jinzhong University

Gymnasium

Referees: Mads Fremstad (NOR) / Jorgen Jorstad (NOR)

### Chinese Taipei

#	Surname and name	S	Goals / shots								Attack					Def.			Penalties			TP						
			Tot.	%	9m	6m	Wing	7m	FB	Brk.	LD	As.	PC	E7	E2	TF	St.	C7	Bik	YC	2m		R	B				
7	LIN Yi Jun	S	1/6	17	0/4	1/1					0/1					1	2	1	1	1		1						41:58
9	LIN Ling Xuan																											5:50
10	LIN Ching	S	6/13	46	0/2			4/5	0/1	2/5							1			8		1					46:50	
12	LIN Jui Chi																										4:46	
17	CHAO Chen Jiun		0/3	0		0/1	0/1		0/1							1						2	1				13:09	
18	FU Yu Jun	S																									52:53	
19	YANG Yu Xuan	S	1/1	100				1/1								2	2			1	3	2			1		54:45	
24	CHANG Chia I	S																		1		1			1		25:44	
55	LIN Siang Ting	S	2/8	25	0/4					2/3	0/1	1							1	3							30:07	
57	LIN Pei Ying		1/6	17	0/3					1/3															1		12:15	
58	YEH Chih Ling		0/1	0			0/1															1					21:54	
59	ZHANG You Xuan		3/6	50	0/1				0/1	3/4					1	1			3	1	1	1					35:27	
63	LIN Tsen Pei																											
74	CHOU Yu Chen		0/1	0	0/1							1										1					14:04	
77	HSU Fang Ying	S	2/3	67		2/2		0/1																			29:35	
81	CHIANG Cai Wei																					1	1				30:43	
	Team / bench																			1								
	TOTAL		16/48	33	0/15	3/4	1/3	4/6	0/3	8/16	0/1	3	6	6	2	18	8	8	2	0	3	0	0					

#	Surname and name	Saves / shots								
		Tot.	%	9m	6m	Wing	7m	FB	Brk.	LD
12	LIN Jui Chi	0/2	0					0/1	0/1	
18	FU Yu Jun	11/42	26	1/3	3/10	3/10	1/8	0/3	3/8	
	TOTAL	11/44	25	1/3	3/10	3/10	1/8	0/4	3/9	0/0

Coach: **Tsung Sheng Tan**

Number of attacks: 65, Efficiency: 25%, Average Duration: 29.31 seconds

### Attack by type of defense

	Shots	9m	6m	Wing	TF	E7	E2
On def. 6-0	10/36	0/15	2/3	1/3	18	6	2
Fastbreak	0/3				0	0	0

### Defense by type

	Total	9m	6m	Wing	Stl.	C7	2m
Def. 6-0	4/6	1/1	1/1	0/2	2	2	0
Def. 3-3	17/32	1/5	6/10	6/10	6	6	0
Fastbreak	4/4				0	0	3

### Attack with superiority / minority / goalkeeper out

	Attack				Reaction		
	Att.	Eff.	Shots	TF	FB	LD	Tot.
7 on 6 (GK out)	1	0%	0/1	0	0/0	0/0	0/0
6 on 6 (GK out)	5	40%	2/3	2	0/0	0/1	0/1
6 on 5 (GK out)	1	0%	0/1	0	0/0	0/0	0/0
6 on 6	54	24%	13/40	14			
6 on 5	4	25%	1/2	2			

Player superiority / GK out counted at the end of attack (in case it changes during attack)

### Defense with superiority / minority / goalkeeper out

	Attack				Reaction		
	Att.	Eff.	Shots	TF	FB	LD	Tot.
7 on 6 (GK out)	3	67%	2/3	0	0/0	0/0	0/0
6 on 6 (GK out)	2	0%	0/0	2	0/0	0/1	0/1
6 on 6	52	52%	27/41	11			
7 on 5 (GK out)	1	0%	0/1	0	0/0	0/0	0/0
6 on 5 (GK out)	1	100%	1/1	0	0/0	0/0	0/0
6 on 5	6	50%	3/5	1			

Numbers show attacking numbers of opponent. Lower efficiency of opponent means better defense of this team

# Jersey number Tot. Total shooting 6m 6m (line) shooting 9m 9m shooting Wng Wing shooting FB Fastbreak sh. 7m 7m penalty sh.  
 Brk. Breakthrough sh. LD Long distance sh. As. Assists PC Pass clear chance E7 Earned 7m pen. TF Technical faults St. Steals  
 2m 2m punishments C7. Committed 7m E2 Earned 2m pun. YC. Yellow cards R/B Red/Blue cards Blk. Blocks S Starting Line-up



# 25th IHF Women's Junior World Championship 2026



President's Cup - Group IV, 2. round

Match Team Statistics  
Match No. 78

## Chinese Taipei 16 - 33 Croatia

(9 - 18) (7 - 15)

30.6.2026. 14:00  
Attendance: 370  
Jinzhong University  
Gymnasium

Referees: Mads Fremstad (NOR) / Jorgen Jorstad (NOR)

### Shot distribution by player

<b>7 Y. Lin</b> 2 miss. 1 block 1/2 0/1	<b>9 L. Lin</b>	<b>10 C. Lin</b> 1 post 1 miss. 1/2 0/2 0/1 2/3 1/1 2/2	<b>17 C. Chao</b> 1 post 1 miss. 0/1	<b>19 Y. Yang</b> 1/1	<b>24 C. Chang</b>	<b>55 S. Lin</b> 1 post 2 miss. 1 block 0/1 1/2 1/1
<b>57 P. Lin</b> 1 miss. 2 block 0/1 1/1 0/1	<b>58 C. Yeh</b> 0/1	<b>59 Y. Zhang</b> 0/1 0/1 0/1 3/3	<b>63 T. Lin</b>	<b>74 Y. Chou</b> 0/1	<b>77 F. Hsu</b> 1 miss. 1/1 1/1	<b>81 C. Chiang</b>

**TOTAL**

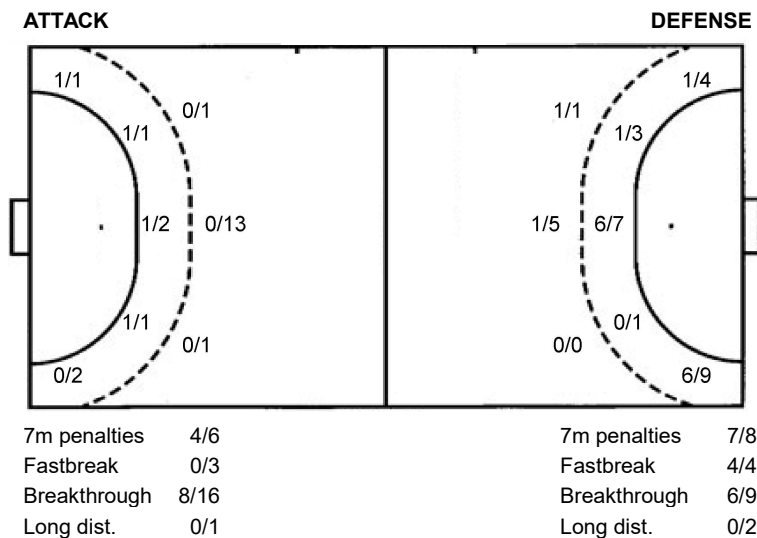
0/1	0/2	1/2
1/2	0/2	0/2
5/8	1/4	8/10

3 post 8 miss. 4 block

### Saves distribution goalkeepers

<b>12 J. Lin</b> 0/2	<b>18 Y. Fu</b> 0/4 0/1 0/1 0/2 3/3 2/6 1/11 3/3 2/11	<b>TOTAL</b> 0/6 0/1 0/1 0/2 3/3 2/6 1/11 3/3 2/11
-------------------------	--	---

### Shots by position



### Shooting statistics

Position	Goals	Sav.	Miss.	Post	Blk.	Total	%
Back (9m)	0	6	4	1	4	15	0
Line (6m)	3	1	0	0	0	4	75
Wing	1	1	1	0	0	3	33
7m penalties	4	1	1	0	0	6	67
Fastbreak	0	1	0	2	0	3	0
Breakthrough	8	7	1	0	0	16	50
<b>Total</b>	<b>16</b>	<b>17</b>	<b>7</b>	<b>3</b>	<b>4</b>	<b>47</b>	<b>34</b>

# Jersey number Tot. Total shooting 6m 6m (line) shooting 9m 9m shooting Wng Wing shooting FB Fastbreak sh. 7m 7m penalty sh.  
Brk. Breakthrough sh. LD Long distance sh. As. Assists PC Pass clear chance E7 Earned 7m pen. TF Technical faults St. Steals  
2m 2m punishments C7. Committed 7m E2 Earned 2m pun. YC. Yellow cards R/B Red/Blue cards Blk. Blocks S Starting Line-up



# 25th IHF Women's Junior World Championship 2026



President's Cup - Group IV, 2. round

Match Team Statistics  
Match No. 78

**Chinese Taipei 16 - 33 Croatia**  
(9 - 18) (7 - 15)

30.6.2026. 14:00  
Attendance: 370  
Jinzhong University  
Gymnasium

Referees: Mads Fremstad (NOR) / Jorgen Jorstad (NOR)

## Croatia

Players		Goals / shots									Attack				Def.			Penalties				TP				
#	Surname and name	S	Tot.	%	9m	6m	Wing	7m	FB	Brk.	LD	As.	PC	E7	E2	TF	St.	C7	Blk	YC	2m		R	B		
1	PUDIĆ Lara	S	0/1	0							0/1						2								38:02	
2	ERCEGOVIĆ Nika		2/3	67		1/1			1/1	0/1							2	2							16:07	
3	IVANČIĆ Una	S	2/2	100		2/2						1		1			1	1			1				37:55	
5	ČIČAK Antea		2/2	100		2/2						3	1	1	1	2	3								43:11	
6	RUSAN Lorena		1/2	50			0/1		1/1								1								6:21	
7	RENIĆ Lucija	S	4/8	50		0/1	4/7							1	1		1								42:59	
11	BRUSIĆ Mirna	S	6/7	86	1/1			4/5		1/1		4	2	1		1	1								31:57	
16	TURKALJ Marta											1													19:38	
18	ZUBAC Josipa	S	5/8	63		2/4	1/1		2/2	0/1			1	1		2	1					1			38:11	
20	ČOVIĆ Tara	S	2/4	50			1/3			1/1		1		1	1										35:37	
21	ĐELEKOVČAN Tara	S	3/6	50	1/3					2/3		5	2				1	1	2	1					37:13	
23	ROGOŠIĆ Gabriela		1/4	25	0/2	0/1		1/1					1	1		4									23:48	
25	DANANIĆ Dora		1/1	100			1/1																		6:57	
26	JANKOVIĆ Leona													1						1					15:38	
31	MARINIĆ Lorena											1								1					24:26	
34	MIKLIĆ Jana		4/5	80			2/2		2/2	0/1		1	1			1									2:00	
	Team / bench																									
	<b>TOTAL</b>		<b>33/53</b>	<b>62</b>	<b>2/6</b>	<b>7/11</b>	<b>7/13</b>	<b>7/8</b>	<b>4/4</b>	<b>6/9</b>	<b>0/2</b>	<b>17</b>	<b>8</b>	<b>8</b>	<b>3</b>	<b>14</b>	<b>6</b>	<b>6</b>	<b>4</b>	<b>1</b>	<b>2</b>	<b>0</b>	<b>0</b>			

Goalkeepers		Saves / shots								
#	Surname and name	Tot.	%	9m	6m	Wing	7m	FB	Brk.	LD
1	PUDIĆ Lara	7/19	37	2/2	0/2	1/2	1/4		3/9	
16	TURKALJ Marta	10/14	71	4/4	1/2		0/1	1/1	4/6	
	<b>TOTAL</b>	<b>17/33</b>	<b>52</b>	<b>6/6</b>	<b>1/4</b>	<b>1/2</b>	<b>1/5</b>	<b>1/1</b>	<b>7/15</b>	<b>0/0</b>

Coach: **Vedran Krkač**

Number of attacks: 65, Efficiency: 51%, Average Duration: 25.88 seconds

### Attack by type of defense

	Shots	9m	6m	Wing	TF	E7	E2
<b>On def. 6-0</b>	4/6	1/1	1/1	0/2	3	2	0
<b>On def. 3-3</b>	17/32	1/5	6/10	6/10	11	6	3
<b>Fastbreak</b>	4/4				0	0	0

### Defense by type

	Total	9m	6m	Wing	Stl.	C7	2m
<b>Def. 6-0</b>	10/36	0/15	2/3	1/3	6	6	0
<b>Fastbreak</b>	0/3				0	0	2

### Attack with superiority / minority / goalkeeper out

	Attack				Reaction		
	Att.	Eff.	Shots	TF	FB	LD	Tot.
<b>7 on 6 (GK out)</b>	3	67%	2/3	0	0/0	0/0	0/0
<b>6 on 6 (GK out)</b>	2	0%	0/0	2	0/0	0/1	0/1
<b>6 on 6</b>	52	52%	27/41	11			
<b>7 on 5 (GK out)</b>	1	0%	0/1	0	0/0	0/0	0/0
<b>6 on 5 (GK out)</b>	1	100%	1/1	0	0/0	0/0	0/0
<b>6 on 5</b>	6	50%	3/5	1			

Player superiority / GK out counted at the end of attack (in case it changes during attack)

### Defense with superiority / minority / goalkeeper out

	Attack				Reaction		
	Att.	Eff.	Shots	TF	FB	LD	Tot.
<b>7 on 6 (GK out)</b>	1	0%	0/1	0	0/0	0/0	0/0
<b>6 on 6 (GK out)</b>	5	40%	2/3	2	0/0	0/1	0/1
<b>6 on 5 (GK out)</b>	1	0%	0/1	0	0/0	0/0	0/0
<b>6 on 6</b>	54	24%	13/40	14			
<b>6 on 5</b>	4	25%	1/2	2			

Numbers show attacking numbers of opponent. Lower efficiency of opponent means better defense of this team

# Jersey number Tot. Total shooting 6m 6m (line) shooting 9m 9m shooting Wng Wing shooting FB Fastbreak sh. 7m 7m penalty sh.  
Brk. Breakthrough sh. LD Long distance sh. As. Assists PC Pass clear chance E7 Earned 7m pen. TF Technical faults St. Steals  
2m 2m punishments C7. Committed 7m E2 Earned 2m pun. YC. Yellow cards R/B Red/Blue cards Blk. Blocks S Starting Line-up



# 25th IHF Women's Junior World Championship 2026



President's Cup - Group IV, 2. round

Match Team Statistics

Match No. 78

## Chinese Taipei 16 - 33 Croatia

(9 - 18) (7 - 15)

30.6.2026. 14:00

Attendance: 370

Jinzhong University

Gymnasium

Referees: Mads Fremstad (NOR) / Jorgen Jorstad (NOR)

### Shot distribution by player

2 N. Ercegović

1/1	0/1	1/1

3 U. Ivančić

1/1		1/1

5 A. Čičak

1/1		1/1

6 L. Rusan

1/1		

1 post

7 L. Renić

1/1	0/1	1/2
1/1		1/1

2 post

11 M. Brusić

		1/1
		2/3
1/1		2/2

18 J. Zubac

1/1		
1/1	0/1	1/1
1/1	0/1	1/1

1 post

20 T. Čović

	0/1	
	0/1	2/2

21 T. Đelekovičan

1/1	1/1	
1/1		0/1

2 block

23 G. Rogošić

1/2		0/1

1 post

25 D. Dananić

1/1		

26 L. Janković


31 L. Marinić


34 J. Miklić

2/2		
2/2		

1 miss.

### TOTAL

6/6	1/1	1/1
2/2	0/3	4/6
10/11	0/3	9/11

5 post 1 miss. 2 block

### Saves distribution goalkeepers

1 L. Pudić

	1/1	0/1
1/2	1/1	1/1
0/3	2/3	1/7

16 M. Turkalj

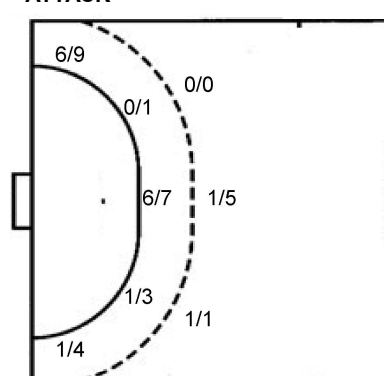
1/1	1/1	1/1
	1/1	1/1
3/5	1/1	1/3

TOTAL

1/1	2/2	1/2
1/2	2/2	2/2
3/8	3/4	2/10

### Shots by position

ATTACK



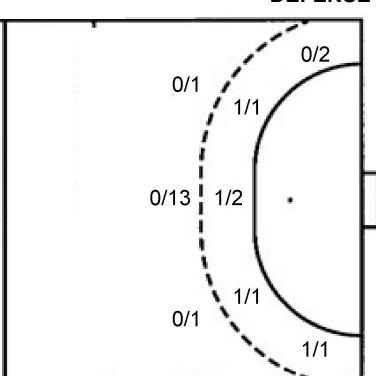
7m penalties 7/8

Fastbreak 4/4

Breakthrough 6/9

Long dist. 0/2

DEFENSE



7m penalties 4/6

Fastbreak 0/3

Breakthrough 8/16

Long dist. 0/1

### Shooting statistics

Position	Goals	Sav.	Miss.	Post	Blk.	Total	%
Back (9m)	2	1	0	1	2	6	33
Line (6m)	7	3	0	1	0	11	64
Wing	7	3	0	3	0	13	54
7m penalties	7	1	0	0	0	8	88
Fastbreak	4	0	0	0	0	4	100
Breakthrough	6	3	0	0	0	9	67
<b>Total</b>	<b>33</b>	<b>11</b>	<b>0</b>	<b>5</b>	<b>2</b>	<b>51</b>	<b>65</b>

# Jersey number Tot. Total shooting 6m 6m (line) shooting 9m 9m shooting Wng Wing shooting FB Fastbreak sh. 7m 7m penalty sh.  
 Brk. Breakthrough sh. LD Long distance sh. As. Assists PC Pass clear chance E7 Earned 7m pen. TF Technical faults St. Steals  
 2m 2m punishments C7. Committed 7m E2 Earned 2m pun. YC. Yellow cards R/B Red/Blue cards Blk. Blocks S Starting Line-up

Handball statistics and livescore by Toma-soft ltd (www.toma-soft.hr)



# 25th IHF Women's Junior World Championship 2026



President's Cup - Group IV, 2. round

## Match Team Statistics

Match No. 78

## Chinese Taipei 16 - 33 Croatia

(9 - 18) (7 - 15)

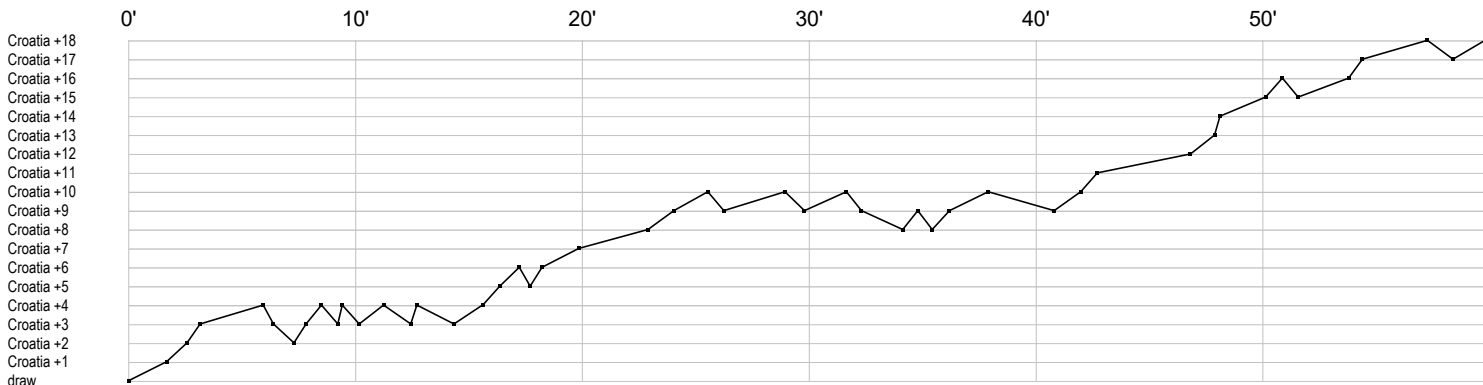
30.6.2026. 14:00

Attendance: 370

Jinzhong University

Gymnasium

Referees: Mads Fremstad (NOR) / Jorgen Jorstad (NOR)



### Chinese Taipei

7 Lin Y	c f i	tg	a	f	f p	f e p	f
9 Lin L							
10 Lin C	t	g g t	g	fg t	f f f	f e g t t t	t c
12 Lin J							r r
17 Chao C						f c	p f b f b
18 Fu Y	r r r	r s r r r	r	r	s r r r r	r r sr r	r
19 Yang Y	p	e	e c2	t	b	bg	b p c
24 Chang C	t					c2	
55 Lin S	f	t f		f	g a i g	t f	f t
57 Lin P		f	f f	2		f	fg
58 Yeh C						f	b
59 Zhang Y			b	g e	p	g t	x
63 Lin T						c g	f t t f
74 Chou Y			ba	e			f
77 Hsu F			g	f			
81 Chiang C			x			c	

### Croatia

1 Pudić L	s	r r tr	r fr sr	s r	s s r	r r tsr r	s
2 Ercegović N					t	c	f gg c t
3 Ivančić U	2	a	b	c		g	e g
5 Čičak A		a	p	gi	b bg	e a tt	ba
6 Rusan L							f g
7 Renić L		f	g g g	b	f	ei f g	f
11 Brusić M	g	t gc a	g	a a a	eg	p g	f p g
16 Turkalj M					r	s s s	s s s s r s s s r
18 Zubac J	e	t p g g g	ct	g fg f	2	f	
20 Čović T			ei	f g g	fa		
21 Đelekovičan T	g g	b a c f x y	x	a g a a	f fp	p a	
23 Rogošić G				t	p t		f g t f e f t
25 Dananić D							g
26 Janković L							e x
31 Marinić L							a x
34 Miklić J				a		g	g g t g p

In game	g Goal scored	f Missed shot	a Assist	t Technical faults	b Steal
2 2min suspension	e Earned 7m	c Committed 7m	y Yellow card	r Red Card	k Blue card
i Earned 2min.	x Block	4 4min suspension	p Pass for clear chance	s Saved shot	r Received goal