



25th IHF Women's Junior World Championship 2026



Final Round, 21-22. place

Match Team Statistics

Match No. 106

Angola 27 - 28 Argentina

(9 - 17) (16 - 8) (SO: 2 - 3)

3.7.2026. 14:00

Attendance: 100

Zhongdu Campus

Gymnasium

Referees: Ante Mikelic (CRO) / Petar Paradina (CRO)

Shot distribution by player

2 V. Manuel

1/1		1/1
1/1		
1/1		2/2

1 block

3 T. Lourenço

1/1		2/2

1 miss.

6 I. Cateco

		0/1
		0/2
1/3	0/2	4/5

1 miss. 1 block

7 B. Pereira

9 E. Kessongo

10 P. Paulino

		1/1

1/1 lob

11 G. Cassoma

1 miss.

13 B. Nunda

		1/1
1/2	1/1	2/2

15 L. Costa

0/1		
0/1		1/2

1 block

20 A. Anjos

1/1		1/2

77 I. Ambrosio

		1/1

90 C. Lussende

		1/1
1/1		

1 miss.

98 M. Alfredo

	0/1	

1 miss.

TOTAL

1/1		1/2
1/2		2/4
6/10	1/4	14/17

5 miss. 3 block 1/1 lob

Saves distribution goalkeepers

12 D. Neto

		0/1
0/6		0/2

33 E. Domingos

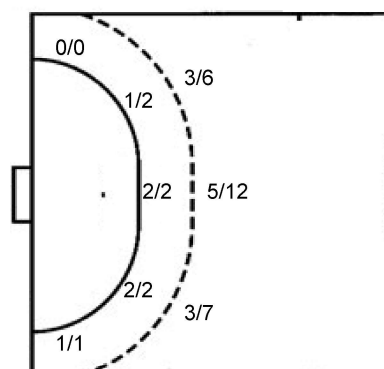
1/2	1/1	0/4
0/1		5/6
1/4	3/4	3/6

TOTAL

1/2	1/1	0/4
0/1		5/7
1/10	3/4	3/8

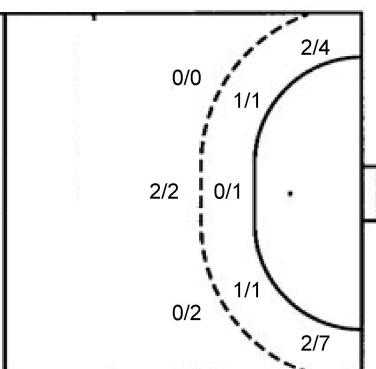
Shots by position

ATTACK



7m penalties	4/8
Fastbreak	2/2
Breakthrough	4/7
Long dist.	0/0

DEFENSE



7m penalties	7/12
Fastbreak	2/3
Breakthrough	9/14
Long dist.	2/4

Shooting statistics

Position	Goals	Sav.	Miss.	Post	Blk.	Total	%
Back (9m)	11	8	3	0	3	25	44
Line (6m)	5	0	1	0	0	6	83
Wing	1	0	0	0	0	1	100
7m penalties	4	3	1	0	0	8	50
Fastbreak	2	0	0	0	0	2	100
Breakthrough	4	3	0	0	0	7	57
Total	27	14	5	0	3	49	55

Jersey number Tot. Total shooting 6m 6m (line) shooting 9m 9m shooting Wng Wing shooting FB Fastbreak sh. 7m 7m penalty sh.
 Brk. Breakthrough sh. LD Long distance sh. As. Assists PC Pass clear chance E7 Earned 7m pen. TF Technical faults St. Steals
 2m 2m punishments C7. Committed 7m E2 Earned 2m pun. YC. Yellow cards R/B Red/Blue cards Blk. Blocks S Starting Line-up



25th IHF Women's Junior World Championship 2026



Final Round, 21-22. place

Match Team Statistics

Match No. 106

Angola 27 - 28 Argentina

(9 - 17) (16 - 8) (SO: 2 - 3)

3.7.2026. 14:00

Attendance: 100

Zhongdu Campus

Gymnasium

Referees: Ante Mikelic (CRO) / Petar Paradina (CRO)

Shot distribution by player

2 K. Peixoto Alves

		0/1
2/2		0/1

4 L. Genoud

		0/1
		0/1

5 M. Lopez

9 S. Maitini Belhits

1/1		
2/3		

10 M. Mendoza

		1/1

11 M. Schneider

		0/1

13 M. Ventos Vidal

1/1	1/1	1/1

1 post 1 block

0/1 lob

14 I. Patrone

0/1	0/1	2/2

1 miss.

17 D. Prat Moreno

		0/1
	0/1	1/1

1 post

22 C. Losarcos

		1/1
		0/1
1/1	0/1	1/1

1 post 1/1 lob

24 H. Molina

1/1		2/2
2/2		1/1

2 miss. 1 block

49 X. Sokalski

		1/2

2/2 lob

66 P. Ares

		0/1
1/1		

99 D. Gasparri

	0/1	

TOTAL

1/2	0/1	4/4
1/1		2/7
9/10	1/4	5/8

3 post 3 miss. 2 block 3/4 lob

Saves distribution goalkeepers

23 J. Ferraro

1/2		1/1
2/7	1/2	1/10

40 L. Nunez Fridmanas

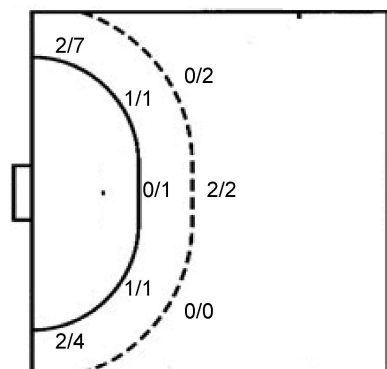
0/1		1/2
		1/3
2/3	2/2	2/7

TOTAL

0/1		1/2
1/2		2/4
4/10	3/4	3/17

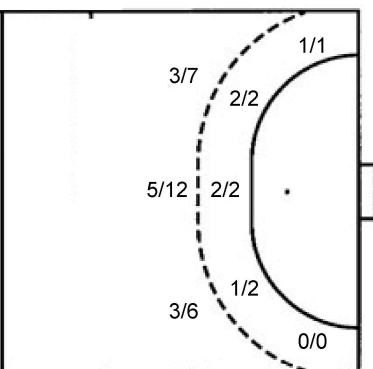
Shots by position

ATTACK



7m penalties 7/12
Fastbreak 2/3
Breakthrough 9/14
Long dist. 2/4

DEFENSE



7m penalties 4/8
Fastbreak 2/2
Breakthrough 4/7
Long dist. 0/0

Shooting statistics

Position	Goals	Sav.	Miss.	Post	Blk.	Total	%
Back (9m)	2	0	0	0	2	4	50
Line (6m)	2	1	0	0	0	3	67
Wing	4	6	0	1	0	11	36
7m penalties	7	4	1	0	0	12	58
Fastbreak	2	1	0	0	0	3	67
Breakthrough	9	3	1	1	0	14	64
Total	26	15	2	2	2	47	55

Jersey number Tot. Total shooting 6m 6m (line) shooting 9m 9m shooting Wng Wing shooting FB Fastbreak sh. 7m 7m penalty sh.
Brk. Breakthrough sh. LD Long distance sh. As. Assists PC Pass clear chance E7 Earned 7m pen. TF Technical faults St. Steals
2m 2m punishments C7. Committed 7m E2 Earned 2m pun. YC. Yellow cards R/B Red/Blue cards Blk. Blocks S Starting Line-up

Handball statistics and livescore by Toma-soft ltd (www.toma-soft.hr)

