



2019 IHF Men's Youth (U19) World Championship

North Macedonia (Skopje)

Group C



Match Team Statistics

Match No. 24

Nigeria 34 - 37 North Macedonia

(16 - 18) (18 - 19)

8.8.2019. 20:30

Attendance: 500

SC Boris Trajkovski

Referees: Alaa Emam (EGY) / Hossam Hedaia (EGY)

Nigeria

Players		Goals / shots									Attack					Def.			Penalties			TP			
#	Surname and name	S	Tot.	%	9m	6m	Wing	7m	FB	Brk.	LD	As.	PC	E7	E2	TF	St.	C7	Blk	YC	2m	R	B		
1	MOHAMMED Abbas																								16:49
2	YUSUF Faruk		8/12	67	7/10		1/1		0/1			3	1			4									46:00
3	SALAMI Hakeem Damilare	S	6/9	67	1/2	1/1	1/2	0/1	2/2	1/1		1		1											54:05
4	MUHAMMAD Bello	S																1							17:57
6	EKPODIO Ebinatei Kiripoinini		11/14	79		7/9		3/4		1/1					1	1	1								25:29
8	ADELAKUN Adeshola Samson	S																1							10:02
9	SANI Bilyaminu		2/2	100	2/2							1													7:36
10	DIKKO Ibrahim	S	3/5	60	1/2	0/1				2/2		4	1	3	1	5	1								59:19
13	DELE Kelvin Gbenga																								24:59
14	YUSHA U Anas	S																							0:38
15	ABDULAZEEZ Abdulrahman															1									22:36
16	OKWOR Obinna	S	1/1	100	1/1							1													42:50
17	GBAWUAN Joseph	S	2/6	33	2/6							1	1			3		1							36:19
18	YAHAYA Ismail		1/2	50			1/2											2							55:21
	Team / bench																								
	UKUPNO		34/51	67	14/23	8/11	3/5	3/5	2/3	4/4	0/0	11	3	5	2	14	1	5	0	0	8	0	0		

Goalkeepers		Saves / shots								
#	Surname and name	Tot.	%	9m	6m	Wing	7m	FB	Brk.	LD
1	MOHAMMED Abbas	3/14	21	0/3	0/2	3/7	0/2			
16	OKWOR Obinna	6/32	19	3/9	0/3	2/9	0/3	1/6	0/2	
	TOTAL	9/46	20	3/12	0/5	5/16	0/5	1/6	0/2	0/0

Coach: **Emeka Joseph Nnanami**

Number of attacks: 63, Efficiency: 54%, Average Duration: 36.5 seconds

Attack by type of defense

	Shots	9m	6m	Wing	TF	E7	E2
On def. 6-0	17/24	12/17	3/5	1/1	5	3	2
On def. 5-1	10/16	1/5	5/5	2/4	7	2	0
On def. 4-2	2/3	1/1	0/1	0/0	2	0	0
Fastbreak	2/3				0	0	0

Defense by type

	Total	9m	6m	Wing	Stl.	C7	2m
Def. 6-0	1/3	0/0	0/0	1/3	1	1	1
Def. 5-1	23/34	7/14	4/4	10/14	0	3	6
Def. 4-2	1/1	0/0	1/1	0/0	0	0	0
Def. 3-2-1	0/0	0/0	0/0	0/0	0	1	1
Def. press.	2/2	2/2	0/0	0/0	0	0	0
Fastbreak	5/7				0	0	0

Attack with goalkeeper out

	Attack				Reaction		
	Att.	Eff.	Shots	TF	FB	LD	Tot.
GK out (7 on 6)	1	100%	1/1	0	0/0	0/0	0/0
GK in	62	53%	33/50	14	5/7	0/0	5/7

GK out attack is counted if one part or whole attack was GK out

Defense with opponent goalkeeper out

	Attack				Reaction		
	Att.	Eff.	Shots	TF	FB	LD	Tot.
GK in	62	60%	37/52	10	2/3	0/0	2/3

Attack with player superiority/minority

	Attack				Reaction		
	Att.	Eff.	Shots	TF	FB	LD	Tot.
Superiority +1	7	57%	4/7	0	0/0	0/0	0/0
Normal	36	58%	21/27	9	2/3	0/0	2/3
Minority -1	12	50%	6/11	2	1/1	0/0	1/1
Minority -2	1	100%	1/1	0	0/0	0/0	0/0

Player superiority counted at the end of attack (in case it changes during attack)

Defense with player superiority/minority

	Attack				Reaction		
	Att.	Eff.	Shots	TF	FB	LD	Tot.
Minority -2	1	0%	0/1	0	0/0	0/0	0/0
Minority -1	13	92%	12/13	0	0/0	0/0	0/0
Normal	37	57%	21/29	8	1/2	0/0	1/2
Superiority +1	4	25%	1/3	1	1/1	0/0	1/1

Jersey number Tot. Total shooting 6m 6m (line) shooting 9m 9m shooting Wng. Wing shooting FB Fastbreak sh. 7m 7m penalty sh.
 Brk. Breakthrough sh. LD Long distance sh. As. Assists PC Pass clear chance E7 Earned 7m pen. TF Technical faults St. Steals
 2m 2m punishments C7. Committed 7m E2 Earned 2m pun. YC. Yellow cards R/B Red/Blue cards Blk. Blocks S Starting Line-up



2019 IHF Men's Youth (U19) World Championship

North Macedonia (Skopje)

Group C



Match Team Statistics

Match No. 24

Nigeria 34 - 37 North Macedonia

(16 - 18) (18 - 19)

8.8.2019. 20:30

Attendance: 500

SC Boris Trajkovski

Referees: Alaa Emam (EGY) / Hossam Hedaia (EGY)

Shot distribution by player

2 F. Yusuf

3/3		
5/5		

1 post 1 miss.

3 H. Salami

		1/1
	1/1	
3/3		1/1

4 B. Muhammad

6 E. Ekpodio

2/2		1/1
8/8		

8 A. Adelokun

9 B. Sani

2/2		

10 I. Dikko

3/3		

13 K. Dele

14 A. Yusha U

15 A. Abdulazeez

17 J. Gbawuan

1/1		
1/1		

2 miss. 1 block

18 I. Yahaya

1/1		

TOTAL

6/6		2/2
	1/1	
23/23		1/1

1 post 3 miss. 1 block

Saves distribution goalkeepers

1 A. Mohammed

0/1	0/1	0/2
0/7		

16 O. Okwor

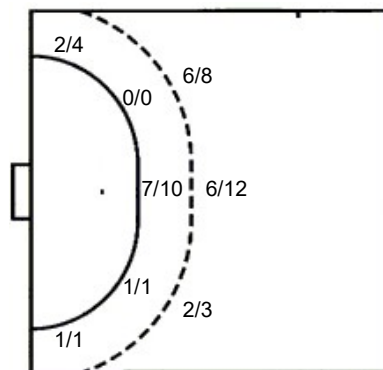
0/5		
0/1	0/1	
0/16	0/1	0/1

TOTAL

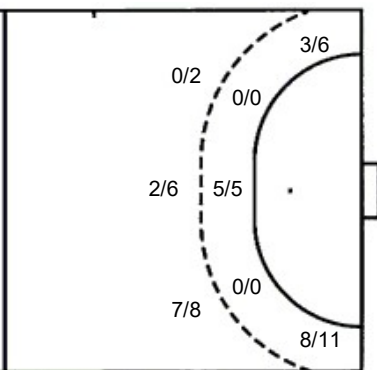
0/6	0/1	0/2
0/1	0/1	
0/23	0/1	0/1

Shots by position

ATTACK



DEFENSE



7m penalties 3/5
Fastbreak 2/3
Breakthrough 4/4
Long dist. 0/0

7m penalties 5/5
Fastbreak 5/7
Breakthrough 2/2
Long dist. 0/0

Shooting statistics

Position	Goals	Sav.	Miss.	Post	Blk.	Total	%
Back (9m)	14	4	3	1	1	23	61
Line (6m)	8	3	0	0	0	11	73
Wing	3	2	0	0	0	5	60
7m penalties	3	2	0	0	0	5	60
Fastbreak	2	1	0	0	0	3	67
Breakthrough	4	0	0	0	0	4	100
Total	34	12	3	1	1	51	67



2019 IHF Men's Youth (U19) World Championship

North Macedonia (Skopje)

Group C



Match Team Statistics

Match No. 24

Nigeria 34 - 37 North Macedonia

(16 - 18) (18 - 19)

8.8.2019. 20:30

Attendance: 500

SC Boris Trajkovski

Referees: Alaa Emam (EGY) / Hossam Hedaia (EGY)

Shot distribution by player

3 D. Kondev

2/2		

1 post

4 D. Djigeroski

1/1		

1 miss.

5 I. Meloski

7 A. Kjosevski

9 M. Bozhinovski

		1/1
2/2		

10 A. Mitikj

11 M. Karapalevski

2/2		

1 miss.

13 B. Kakovski

14 K. Simonoski

1/1		
	1/1	
2/2	1/1	

17 M. Serafimov

1/1	1/1	
1/1		
6/6		1/1

2 post

19 N. Kostaski

4/4		1/1
7/7		

1 post 1/1 lob

21 M. Mladenovic

1/1		

27 L. Nikov

44 I. Gjorgiev

TOTAL

6/6	1/1	2/2
1/1	1/1	
23/23	1/1	1/1

4 post 2 miss. 1/1 lob

Saves distribution goalkeepers

1 M. Kizikj

0/4	1/1	0/1
	0/1	
0/18		

99 A. Petkovski

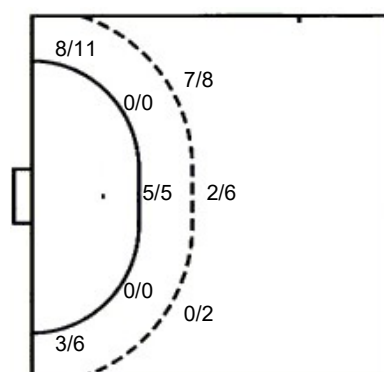
0/2		0/1
0/6		0/1

TOTAL

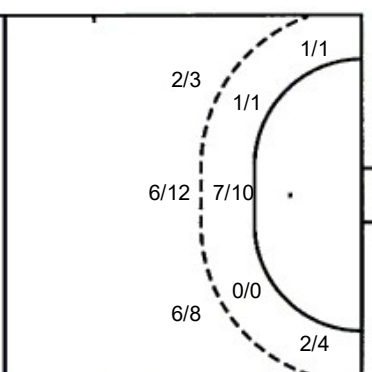
0/6		0/2
	0/1	
0/24		0/1

Shots by position

ATTACK



DEFENSE



7m penalties 5/5
Fastbreak 5/7
Breakthrough 2/2
Long dist. 0/0

7m penalties 3/5
Fastbreak 2/3
Breakthrough 4/4
Long dist. 0/0

Shooting statistics

Position	Goals	Sav.	Miss.	Post	Blk.	Total	%
Back (9m)	9	3	2	2	0	16	56
Line (6m)	5	0	0	0	0	5	100
Wing	11	5	0	1	0	17	65
7m penalties	5	0	0	0	0	5	100
Fastbreak	5	1	0	1	0	7	71
Breakthrough	2	0	0	0	0	2	100
Total	37	9	2	4	0	52	71



2019 IHF Men's Youth (U19) World Championship

North Macedonia (Skopje)

Group C



Match Team Statistics

Match No. 24

Nigeria 34 - 37 North Macedonia

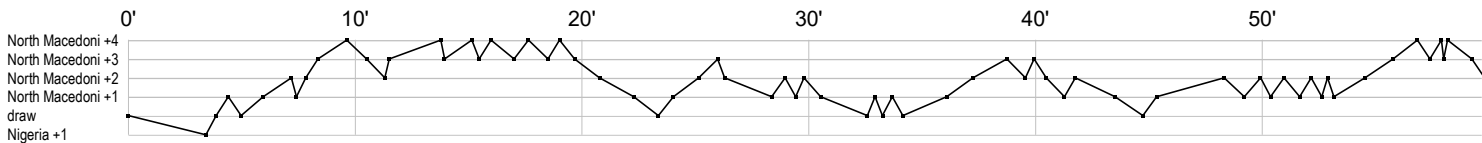
(16 - 18) (18 - 19)

8.8.2019. 20:30

Attendance: 500

SC Boris Trajkovski

Referees: Alaa Emam (EGY) / Hossam Hedaia (EGY)



Nigeria

1 Mohammed A	r	s r r s r	r r r r r r s				
2 Yusuf F	t a t f g t a	a	t g g g f p 2	g	g g f f g		
3 Salami H	f	g g	a	f	g	g	eg f g
4 Muhammad B	2c						
6 Ekpodio E	g g	g g g g g	f t	fg g	g	f ie	
8 Adelakun A			2c				
9 Sani B	a		g	g			
10 Dikko I	f	e t e	a g p g	f i e	t a g t a	t b a t	
13 Dele K						2	
14 Yusha U A							
15 Abdulazeez A	t						
16 Okwor O	s s r r s r r r r s	a s r s r r r r r	r r r r r r	r r r r r r r r r r			
17 Gbawuan J	f a t t f		2c p	g g f f		t	
18 Yahaya I	f 2c	g			2		

North Macedonia

1 Kizik M	r r s r s s r r s r r r r r r	r s s r r s s	r r r r r	r s	r s r r		
3 Kondev D	f f g i e a	g f	t				
4 Djigeroski D	b a	a t	f			t a a g p	
5 Meloski I							
7 Kjosevski A							
9 Bozhinovski				g f	g	t g	f i
10 Mitikj A			i				
11 Karapalevski	a	g t g		a t f		a a	
13 Kakovski B							
14 Simonoski K	b g i e y b g	a g	g	i	i a	g	
17 Serafimov M	t a b a g g	f g g p	f g a 2	a g a g g f p	i a	a g	
19 Kosteski N	x g g g	f a g p	g i e g f 2c	g	f g g g g g c	t	
21 Mladenovic M	f p t f	a	a p g		a	t	
27 Nikov L		c	ei				
44 Gjorgiev I	y	b c			a	2c	
99 Petkovski A			r s r r r		r r r r r	sr	

In game	g Goal scored	f Missed shot	a Assist	t Technical faults	b Steal
2 2min suspension	e Earned 7m	c Committed 7m	y Yellow card	r Red Card	k Blue card
i Earned 2min.	x Block	4 4min suspension	p Pass for clear chance	s Saved shot	r Received goal