



# 2019 IHF Men's Youth (U19) World Championship

North Macedonia (Skopje)

Group D



Match Team Statistics

Match No. 11

## Germany 26 - 33 Portugal

(15 - 18) (11 - 15)

6.8.2019. 12:30

Attendance: 65

SC Boris Trajkovski

Referees: Yann Carmaux (FRA) / Julien Mursch (FRA)

### Germany

Players		Goals / shots										Attack					Def.			Penalties			TP		
#	Surname and name	S	Tot.	%	9m	6m	Wing	7m	FB	Brk.	LD	As.	PC	E7	E2	TF	St.	C7	Blk	YC	2m	R	B		
1	JEPSEN Johannes		0/1	0							0/1														16:53
2	TOBELER Jaris		7/7	100			1/1	6/6									1								28:23
3	PFEIFER Alexander																								0:31
4	KOSTER Julian		5/10	50	2/7				1/1	2/2		3	1	1		1									44:15
7	REIMANN Alexander		2/4	50			1/3				1/1					1	1	1		1	1				53:21
10	MAVERS Veit	S											1												10:56
12	DIEDRICH Lukas																								38:51
13	FUSS Merlin	S	0/1	0			0/1									1		1							31:59
15	WEBER Ian		1/1	100							1/1	1		1	1	1	3								48:24
17	LICHTLEIN Nils	S	2/3	67	1/2					1/1		2		1	1	1			1						48:47
19	AHOUANSSOU Phillip	S	0/3	0	0/2	0/1																			10:55
20	MEYER-SIEBERT Julius	S	3/4	75	2/3					1/1				2	2	2		1	1		2				40:56
23	DAMM Benedikt		5/5	100		5/5								1	2	1									27:01
24	BERGNER Tom	S																							1:34
30	ROLLER Nils																								
35	MEDDEB Yessine	S	1/2	50	1/2							1				1							2		17:14
	Team / bench															1									
	UKUPNO		26/41	63	6/16	5/6	2/5	6/6	1/1	4/4	2/3	7	2	6	5	10	5	3	2	1	5	0	0		

Goalkeepers		Saves / shots									
#	Surname and name	Tot.	%	9m	6m	Wing	7m	FB	Brk.	LD	
1	JEPSEN Johannes	1/18	6	1/11	0/2	0/1		0/3	0/1		
12	DIEDRICH Lukas	8/24	33	5/14	0/1	0/2	1/3	1/1	1/3		
	TOTAL	9/42	21	6/25	0/3	0/3	1/3	1/4	1/4	0/0	

Coach: Erik Wudtke

Number of attacks: 53, Efficiency: 49%, Average Duration: 34.4 seconds

### Attack by type of defense

	Shots	9m	6m	Wing	TF	E7	E2
On def. 6-0	15/27	6/14	5/6	2/5	10	5	4
On def. 4-2	2/4	0/2	0/0	0/0	0	1	1
Fastbreak	1/1				0	0	0

### Attack with goalkeeper out

	Attack				Reaction		
	Att.	Eff.	Shots	TF	FB	LD	Tot.
GK in	53	49%	26/41	10	3/4	0/1	3/5

GK out attack is counted if one part or whole attack was GK out

### Attack with player superiority/minority

	Attack				Reaction		
	Att.	Eff.	Shots	TF	FB	LD	Tot.
Superiority +1	11	64%	7/9	0	0/0	0/0	0/0
Normal	32	41%	13/24	8	2/3	0/0	2/3
Minority -1	6	50%	3/4	2	1/1	0/0	1/1
Minority -2	1	0%	0/1	0	0/0	0/1	0/1

Player superiority counted at the end of attack (in case it changes during attack)

### Defense by type

	Total	9m	6m	Wing	Stl.	C7	2m
Def. 6-0	15/18	10/13	2/2	1/1	4	0	4
Def. 5-1	10/17	6/13	1/1	2/2	0	3	1
Def. 4-2	2/3	2/2	0/0	0/0	1	0	0
Def. 3-2-1	1/1	1/1	0/0	0/0	0	0	0
Fastbreak	3/4				0	0	0

### Defense with opponent goalkeeper out

	Attack				Reaction		
	Att.	Eff.	Shots	TF	FB	LD	Tot.
GK out (7 on 6)	8	75%	6/7	1	1/1	0/0	1/1
GK out pl. super.	2	50%	1/1	1	0/0	0/0	0/0
GK in	42	62%	26/39	7	0/0	2/3	2/3

### Defense with player superiority/minority

	Attack				Reaction		
	Att.	Eff.	Shots	TF	FB	LD	Tot.
Minority -2	2	50%	1/3	0	0/0	0/0	0/0
Minority -1	6	100%	6/6	0	0/0	0/0	0/0
Normal	33	64%	21/30	5	1/1	1/1	2/2
Superiority +1	8	38%	3/6	3	0/0	1/2	1/2

# Jersey number Tot. Total shooting 6m 6m (line) shooting 9m 9m shooting Wng. Wing shooting FB Fastbreak sh. 7m 7m penalty sh.  
 Brk. Breakthrough sh. LD Long distance sh. As. Assists PC Pass clear chance E7 Earned 7m pen. TF Technical faults St. Steals  
 2m 2m punishments C7. Committed 7m E2 Earned 2m pun. YC. Yellow cards R/B Red/Blue cards Blk. Blocks S Starting Line-up



# 2019 IHF Men's Youth (U19) World Championship

North Macedonia (Skopje)

Group D



## Match Team Statistics

Match No. 11

## Germany 26 - 33 Portugal

(15 - 18) (11 - 15)

6.8.2019. 12:30

Attendance: 65

SC Boris Trajkovski

Referees: Yann Carmaux (FRA) / Julien Mursch (FRA)

### Shot distribution by player

#### 2 J. Tobeler

2/2	2/2	
2/2		1/1

#### 3 A. Pfeifer


#### 4 J. Koster

	4/4	1/1

1 post 2 miss.

#### 7 A. Reimann

	1/1	
	1/1	

1 miss.

#### 10 V. Mavers


#### 13 M. Fuss


#### 15 I. Weber

	1/1	

#### 17 N. Lichtlein

1/1		

1 miss. 1/1 lob

#### 19 P. Ahouansou


2 miss.

#### 20 J. Meyer-Siebert

1/1		
1/1		1/1

#### 23 B. Damm

2/2	2/2	
1/1		

#### 24 T. Bergner


#### 30 N. Roller


#### 35 Y. Meddeb

	1/1	

1 block

### TOTAL

6/6	10/10	1/1
	2/2	
4/4		2/2

1 post 6 miss. 1 block 1/1 lob

### Saves distribution goalkeepers

#### 1 J. Jepsen

0/8	0/5	
0/1	0/1	
0/1		0/1

#### 12 L. Diedrich

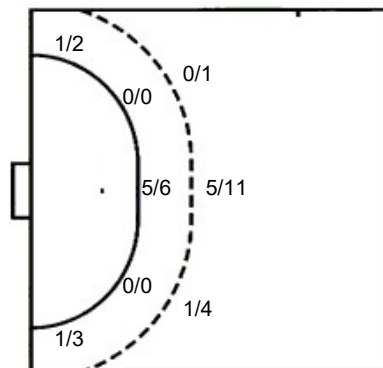
0/3	0/6	0/3
0/2		0/1

### TOTAL

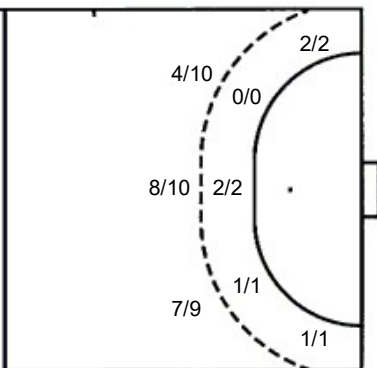
0/11	0/11	0/3
0/1	0/1	
0/3		0/2

### Shots by position

#### ATTACK



#### DEFENSE



7m penalties 6/6  
Fastbreak 1/1  
Breakthrough 4/4  
Long dist. 2/3

7m penalties 2/3  
Fastbreak 3/4  
Breakthrough 3/4  
Long dist. 0/1

### Shooting statistics

Position	Goals	Sav.	Miss.	Post	Blk.	Total	%
Back (9m)	6	4	4	1	1	16	38
Line (6m)	5	0	1	0	0	6	83
Wing	2	2	1	0	0	5	40
7m penalties	6	0	0	0	0	6	100
Fastbreak	1	0	0	0	0	1	100
Breakthrough	4	0	0	0	0	4	100
<b>Total</b>	<b>24</b>	<b>6</b>	<b>6</b>	<b>1</b>	<b>1</b>	<b>38</b>	<b>63</b>



# 2019 IHF Men's Youth (U19) World Championship

## North Macedonia (Skopje)

### Group D



#### Match Team Statistics

Match No. 11

## Germany 26 - 33 Portugal

(15 - 18) (11 - 15)

6.8.2019. 12:30

Attendance: 65

SC Boris Trajkovski

Referees: Yann Carmaux (FRA) / Julien Mursch (FRA)

### Portugal

#	Surname and name	S	Goals / shots										Attack					Def.			Penalties			TP						
			Tot.	%	9m	6m	Wing	7m	FB	Brk.	LD	As.	PC	E7	E2	TF	St.	C7	Blk	YC	2m	R	B							
2	FERREIRA Diogo																													
3	SOUSA Andre	S	4/6	67	2/3				1/2					1/1		5		1	3	4		1								47:07
4	MORAIS Filipe	S	4/5	80	1/1			2/2		1/2									1											54:54
5	NEVES Daniel	S																												8:51
7	SOUSA Tiago	S													1					2		1								49:04
8	OLIVEIRA Gustavo																													5:38
9	JOSE Andre	S																												3:52
10	RIBEIRO Joel	S	2/3	67	1/2									1/1		1					1									41:45
11	TALMAZAN Vitor																													
12	OLIVEIRA Francisco		0/1	0																										32:39
13	SALVADOR Salvador	S	8/11	73	6/8					1/1	1/2				1		1		1	1	1					2			43:05	
16	MAGALHAES Alexandre																													11:19
17	SILVA Jose		2/2	100		2/2									1					1		1					1			12:54
18	VIEIRA Daniel																													15:18
19	NOGUEIRA Goncalo		3/4	75	1/2				1/1																					52:07
23	COSTA Martim		10/15	67	8/13	1/1				1/1					1		1		2	1	2						1			41:27
	Team / bench																													
	UKUPNO		33/47	70	19/29	3/3	3/3	2/3	3/4	3/4	0/1				10	0	3	5	9	3	6	0	0				5	0	0	

Goalkeepers		Saves / shots									
#	Surname and name	Tot.	%	9m	6m	Wing	7m	FB	Brk.	LD	
12	OLIVEIRA Francisco	6/20	30	4/7	0/4	2/2	0/3	0/1	0/3		
16	MAGALHAES Alexandre	0/10	0	0/3	0/1	0/2	0/3	0/1	0/1		
	TOTAL	6/30	20	4/10	0/5	2/4	0/6	1/1	0/4	0/0	

Coach: Carlos Martingo

Number of attacks: 52, Efficiency: 63%, Average Duration: 34.2 seconds

### Attack by type of defense

	Shots	9m	6m	Wing	TF	E7	E2
On def. 6-0	15/18	10/13	2/2	1/1	7	0	4
On def. 5-1	10/17	6/13	1/1	2/2	2	3	1
On def. 4-2	2/3	2/2	0/0	0/0	0	0	0
On def. 3-2-1	1/1	1/1	0/0	0/0	0	0	0
Fastbreak	3/4				0	0	0

### Defense by type

	Total	9m	6m	Wing	Stl.	C7	2m
Def. 6-0	15/27	6/14	5/6	2/5	3	5	4
Def. 4-2	2/4	0/2	0/0	0/0	0	1	1
Fastbreak	1/1				0	0	0

### Attack with goalkeeper out

	Attack				Reaction		
	Att.	Eff.	Shots	TF	FB	LD	Tot.
GK out (7 on 6)	8	75%	6/7	1	1/1	0/0	1/1
GK out pl. minority	2	50%	1/1	1	0/0	0/0	0/0
GK in	42	62%	26/39	7	0/0	2/3	2/3

GK out attack is counted if one part or whole attack was GK out

### Attack with player superiority/minority

	Attack				Reaction		
	Att.	Eff.	Shots	TF	FB	LD	Tot.
Superiority +2	2	50%	1/3	0	0/0	0/0	0/0
Superiority +1	6	100%	6/6	0	0/0	0/0	0/0
Normal	33	64%	21/30	5	1/1	1/1	2/2
Minority -1	8	38%	3/6	3	0/0	1/2	1/2

Player superiority counted at the end of attack (in case it changes during attack)

### Defense with opponent goalkeeper out

	Attack				Reaction		
	Att.	Eff.	Shots	TF	FB	LD	Tot.
GK in	53	49%	26/41	10	3/4	0/1	3/5

### Defense with player superiority/minority

	Attack				Reaction		
	Att.	Eff.	Shots	TF	FB	LD	Tot.
Minority -1	11	64%	7/9	0	0/0	0/0	0/0
Normal	32	41%	13/24	8	2/3	0/0	2/3
Superiority +1	6	50%	3/4	2	1/1	0/0	1/1
Superiority +2	1	0%	0/1	0	0/0	0/1	0/1



# 2019 IHF Men's Youth (U19) World Championship

North Macedonia (Skopje)

Group D



## Match Team Statistics

Match No. 11

## Germany 26 - 33 Portugal

(15 - 18) (11 - 15)

6.8.2019. 12:30

Attendance: 65

SC Boris Trajkovski

Referees: Yann Carmaux (FRA) / Julien Mursch (FRA)

### Shot distribution by player

#### 2 D. Ferreira


#### 3 A. Sousa

1/1	1/1	
1/1		1/1

1 block

#### 4 F. Morais

1/1	1/1	1/1

1/1 lob

#### 5 D. Neves


#### 7 T. Sousa


#### 8 G. Oliveira


#### 9 A. Jose


#### 10 J. Ribeiro

	1/1	
1/1		

#### 11 V. Talmazan


#### 13 S. Salvador

5/5	2/2	1/1

#### 17 J. Silva

		1/1
	1/1	

#### 18 D. Vieira


#### 19 G. Nogueira

2/2	1/1	

1 miss.

#### 23 M. Costa

2/2	5/5	
1/1		
1/1		1/1

2 miss.

### TOTAL

11/11	11/11	3/3
1/1	1/1	
3/3		2/2

3 miss. 1 block 1/1 lob

### Saves distribution goalkeepers

#### 12 F. Oliveira

0/2	0/7	
	0/2	
0/3		0/1

#### 16 A. Magalhaes

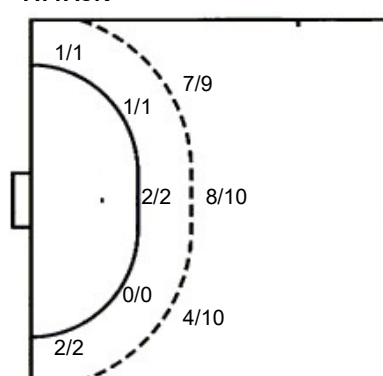
0/4	0/3	0/1
0/1		0/1

### TOTAL

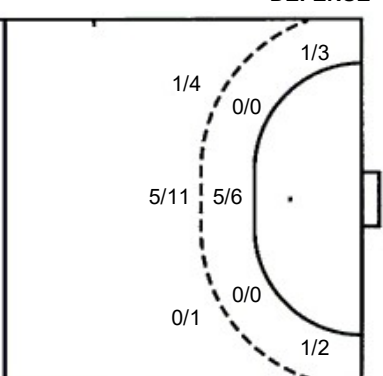
0/6	0/10	0/1
	0/2	
0/4		0/2

### Shots by position

#### ATTACK



#### DEFENSE



7m penalties 2/3  
Fastbreak 3/4  
Breakthrough 3/4  
Long dist. 0/1

7m penalties 6/6  
Fastbreak 1/1  
Breakthrough 4/4  
Long dist. 2/3

### Shooting statistics

Position	Goals	Sav.	Miss.	Post	Blk.	Total	%
Back (9m)	19	6	3	0	1	29	66
Line (6m)	3	0	0	0	0	3	100
Wing	3	0	0	0	0	3	100
7m penalties	2	1	0	0	0	3	67
Fastbreak	3	1	0	0	0	4	75
Breakthrough	3	1	0	0	0	4	75
<b>Total</b>	<b>33</b>	<b>9</b>	<b>3</b>	<b>0</b>	<b>1</b>	<b>46</b>	<b>72</b>



**2019 IHF Men's Youth (U19) World Championship**  
**North Macedonia (Skopje)**  
 Group D

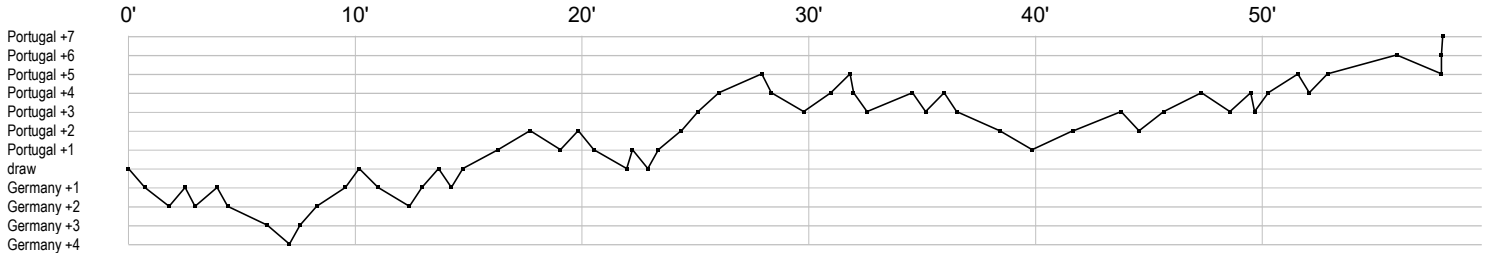


Match Team Statistics  
 Match No. 11

**Germany 26 - 33 Portugal**  
 (15 - 18) (11 - 15)

6.8.2019. 12:30  
 Attendance: 65  
 SC Boris Trajkovski

Referees: Yann Carmaux (FRA) / Julien Mursch (FRA)



**Germany**

1 Jepsen J	r r f s r r r r r r r r r r r r r r r r
2 Tobeler J	g g g g g g b g g g
3 Pfeifer A	
4 Koster J	a g g f e p t ag g f f f a f g
7 Reimann A	g y t bg f c2 f
10 Mavers V	p
12 Diedrich L	r s r r s r r ss s r r r r s r r r r r s r s r
13 Fuss M	c f t
15 Weber I	a b e t b g b
17 Lichtlein N	g t a i e gx f a
19 Ahouansou P	f f f
20 Meyer-Siebert	g i e t 2 2 t c g ei x f g
23 Damm B	i g g g g g g g g t i e
24 Bergner T	
30 Roller N	
35 Meddeb Y	2 a g ft 2

**Portugal**

2 Ferreira D	
3 Sousa A	t g itc ig t a g f t eif a a g a a
4 Morais F	g gi g f g
5 Neves D	
7 Sousa T	t a t 2c
8 Oliveira G	
9 Jose A	
10 Ribeiro J	ba f g g
11 Talmazan V	
12 Oliveira F	r r r r s r r r r r r s r r f sr s r r r ss
13 Salvador S	f g bg2 g g t a g2c g e f g gf
16 Magalhaes A	r r r r r r r r r
17 Silva J	gi a g 2c
18 Vieira D	
19 Nogueira G	g f g g
23 Costa M	g g2c g g g c t g g b f t g e f f g a f f g

In game	<b>g</b> Goal scored	<b>f</b> Missed shot	<b>a</b> Assist	<b>t</b> Technical faults	<b>b</b> Steal
<b>2</b> 2min suspension	<b>e</b> Earned 7m	<b>c</b> Committed 7m	<b>y</b> Yellow card	<b>r</b> Red Card	<b>k</b> Blue card
<b>i</b> Earned 2min.	<b>x</b> Block	<b>4</b> 4min suspension	<b>p</b> Pass for clear chance	<b>s</b> Saved shot	<b>r</b> Received goal