





# 26th IHF Women's World Championship

Denmark • Norway • Sweden

Group H, 2. round



## Match Team Statistics

Match No. 24

## Congo 20 - 40 Netherlands

(9 - 20) (11 - 20)

2.12.2023. 18:00

Attendance: 527

Arena Nord

Referees: Maali Alenezi (KUW) / Dalal Alnaseem (KUW)

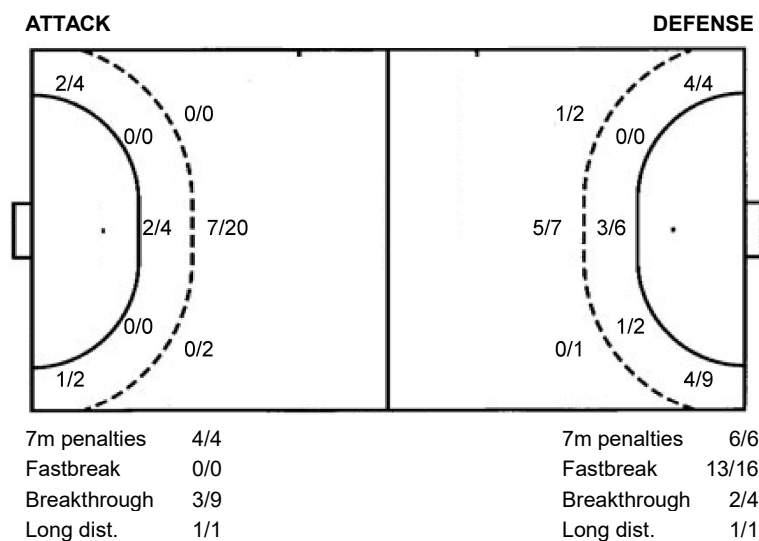
### Shot distribution by player

<b>5 K. Rutil</b> 0/1    0/1 1/1   1/1   1/1 1 block	<b>6 N. Divoko Kangou</b> 0/1    0/1    0/1	<b>7 D. Nguekwian Yimga</b> 0/1 lob 1/2	<b>10 M. Hendo</b> 1/1	<b>11 H. Mongo Makouala</b> 0/1 1/1 0/1	<b>13 G. Zoubabela</b>	<b>15 E. Domingos</b> 0/1
<b>23 B. Ngombele</b> 1/1 0/3 1/1    1/1 1 post 5 miss. 1 block	<b>45 J. Nkou</b> 1/2 1/3   1/2	<b>61 R. Saraiva</b> 1/1	<b>66 S. Mambou</b>	<b>78 F. Diagouraga</b> 1/1    2/2 1/1    1/1 1/1    1/1 1 post 2 miss.	<b>99 K. Jappont</b>	<b>TOTAL</b> 2/5   1/1   2/4 3/6        1/1 4/8   3/4   4/5 2 post 7 miss. 2 block 0/1 lob

### Saves distribution goalkeepers

<b>1 R. Kodja</b> 1/2    0/4 1/4   1/1   2/3 1/10   0/2   5/15	<b>12 M. Apendi Ndzila</b> 0/1	<b>20 A. Ntessi</b> 0/1    0/1 0/1   1/2   0/1	<b>TOTAL</b> 1/4    0/4 1/4   1/1   2/3 1/11   1/4   5/16
---	-----------------------------------	--	--

### Shots by position



### Shooting statistics

Position	Goals	Sav.	Miss.	Post	Blk.	Total	%
Back (9m)	7	6	6	1	2	22	32
Line (6m)	2	2	0	0	0	4	50
Wing	3	3	0	0	0	6	50
7m penalties	4	0	0	0	0	4	100
Fastbreak	0	0	0	0	0	0	0
Breakthrough	3	4	1	1	0	9	33
<b>Total</b>	<b>19</b>	<b>15</b>	<b>7</b>	<b>2</b>	<b>2</b>	<b>45</b>	<b>42</b>

# Jersey number    Tot. Total shooting    6m 6m (line) shooting    9m 9m shooting    Wng Wing shooting    FB Fastbreak sh.    7m 7m penalty sh.  
 Brk. Breakthrough sh.    LD Long distance sh.    As. Assists    PC Pass clear chance    E7 Earned 7m pen.    TF Technical faults    St. Steals  
 2m 2m punishments    C7. Committed 7m    E2 Earned 2m pun.    YC. Yellow cards    R/B Red/Blue cards    Blk. Blocks    S Starting Line-up

Handball statistics and livescore by Toma-soft ltd (www.toma-soft.hr)



# 26th IHF Women's World Championship

Denmark • Norway • Sweden

Group H, 2. round



Match Team Statistics

Match No. 24

## Congo 20 - 40 Netherlands

(9 - 20) (11 - 20)

2.12.2023. 18:00

Attendance: 527

Arena Nord

Referees: Maali Alenezi (KUW) / Dalal Alnaseem (KUW)

### Netherlands

Players		Goals / shots										Attack					Def.			Penalties				TP	
#	Surname and name	S	Tot.	%	9m	6m	Wing	7m	FB	Brk.	LD	As.	PC	E7	E2	TF	St.	C7	Blk	YC	2m	R	B		
6	VAN DER HEIJDEN Laura		2/6	33	1/2	0/2					1/2	1	4	1				1							31:17
8	ABBINGH Lois	S	4/6	67	4/6							2	3	1	1			1							42:26
9	NÜSSER Larissa	S	1/2	50	0/1				1/1			2				1	1								33:38
12	VAN WETERING Bo	S	8/8	100		1/1	2/2		5/5						1	1			2						39:26
13	BROCH Yvette												1				1					1			25:26
16	HAGGERTY Tamara		1/1	100							1/1							1							15:09
18	DULFER Kelly		1/1	100					1/1			1					3		1						14:11
20	SMITS Inger	S	1/3	33					0/2	1/1		2	1			2	2		1						26:53
22	SPRENGERS Zoë		2/2	100			1/1		1/1																14:35
26	MALESTEIN Angela	S	7/10	70			1/3	6/6		0/1		1					1								18:32
30	DUIJNDAM Rinka											2													19:24
31	VOLLEBREGT Kelly		4/8	50		0/1	3/6		1/1			2													41:11
33	LIEDER Tess	S										4				2									39:31
44	VAN DER VLIET Nikita	S	6/7	86		3/4			3/3			1	1	3	2	1	1								33:00
48	HOUSHEER Dione																								
79	POLMAN Estavana		3/4	75	1/1		1/1		1/2			6	2			2	1								25:21
	Team / bench																								
	UKUPNO		40/58	69	6/10	4/8	8/13	6/6	13/16	2/4	1/1	24	12	6	4	8	11	4	2	0	1	0	0		

Goalkeepers		Saves / shots									
#	Surname and name	Tot.	%	9m	6m	Wing	7m	FB	Brk.	LD	
30	DUIJNDAM Rinka	6/12	50	2/3	2/3		0/3		2/3		
33	LIEDER Tess	9/22	41	4/10	0/1	3/6	0/1		2/4		
	TOTAL	15/34	44	6/13	2/4	3/6	0/4	2/0	4/7	0/0	

Coach: Per Johansson

Number of attacks: 65, Efficiency: 62%, Average Duration: 19.52 seconds

### Attack by type of defense

	Shots	9m	6m	Wing	TF	E7	E2
On def. 6-0	9/16	3/6	1/1	4/6	6	3	3
On def. 5-1	6/11	1/2	2/4	3/5	1	3	1
On def. 4-2	4/6	2/2	1/2	0/1	1	0	0
Fastbreak	13/16				0	0	0

### Defense by type

	Total	9m	6m	Wing	Stl.	C7	2m
Def. 6-0	15/39	7/21	2/4	3/6	11	4	0
Def. 5-1	0/2	0/1	0/0	0/0	0	0	0
Fastbreak	0/0				0	0	1

### Attack with superiority / minority / goalkeeper out

	Attack				Reaction		
	Att.	Eff.	Shots	TF	FB	LD	Tot.
7 on 6 (GK out)	3	100%	3/3	0	0/0	0/0	0/0
6 on 6	45	53%	24/37	8			
5 on 6	1	100%	1/1	0			
6 on 5	12	83%	10/12	0			
6 on 4	3	67%	2/3	0			
6 on 3	1	0%	0/1	0			

Player superiority / GK out counted at the end of attack (in case it changes during attack)

### Defense with superiority / minority / goalkeeper out

	Attack				Reaction		
	Att.	Eff.	Shots	TF	FB	LD	Tot.
7 on 6 (GK out)	2	50%	1/2	0	0/0	1/1	1/1
6 on 6 (GK out)	6	17%	1/4	2	2/2	0/0	2/2
5 on 6 (GK out)	1	0%	0/1	0	0/0	0/0	0/0
6 on 6	47	34%	16/31	16			
6 on 5	3	0%	0/1	2			
5 on 6	4	50%	2/3	1			
4 on 6	1	0%	0/0	1			

Numbers show attacking numbers of opponent. Lower efficiency of opponent means better defense of this team

# Jersey number Tot. Total shooting 6m 6m (line) shooting 9m 9m shooting Wng Wing shooting FB Fastbreak sh. 7m 7m penalty sh.  
 Brk. Breakthrough sh. LD Long distance sh. As. Assists PC Pass clear chance E7 Earned 7m pen. TF Technical faults St. Steals  
 2m 2m punishments C7. Committed 7m E2 Earned 2m pun. YC. Yellow cards R/B Red/Blue cards Blk. Blocks S Starting Line-up



# 26th IHF Women's World Championship

Denmark • Norway • Sweden

Group H, 2. round



## Match Team Statistics

Match No. 24

## Congo 20 - 40 Netherlands

(9 - 20) (11 - 20)

2.12.2023. 18:00

Attendance: 527

Arena Nord

Referees: Maali Alenezi (KUW) / Dalal Alnaseem (KUW)

### Shot distribution by player

#### 6 L. Van Der Heijden

0/1		
2/2		

1 post 2 miss.

#### 8 L. Abbingh

1/1		0/1
1/1		2/3

#### 9 L. Nüsser

	0/1	
1/1		

#### 12 B. Van Wetering

1/1		3/3
1/1		
1/1	1/1	1/1

#### 13 Y. Broch


#### 16 T. Haggerty

	1/1	

#### 18 K. Dulfer

1/1		

#### 20 I. Smits

	0/1	1/1

1 post

#### 22 Z. Sprengers

		2/2

#### 26 A. Malestein

1/2		
		0/1
2/2	2/2	2/3

#### 31 K. Vollebregt

2/3		0/2

1 post 2/2 lob

#### 44 N. Van Der Vliet

		1/1
		1/1
1/1	1/1	2/2

1 post

#### 48 D. Housheer


#### 79 E. Polman

1/1		
	1/1	1/2

### TOTAL

3/4		4/4
3/4	0/1	1/3
10/11	6/7	11/16

4 post 2 miss. 2/2 lob

### Saves distribution goalkeepers

#### 30 R. Duijndam

1/1		0/1
1/2		0/1
2/3	0/1	1/2

#### 33 T. Lieder

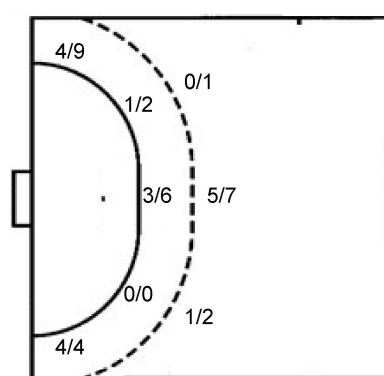
2/4	0/1	2/3
2/4		
2/5	1/2	0/3

### TOTAL

3/5	0/1	2/4
3/6		0/1
4/8	1/3	1/5

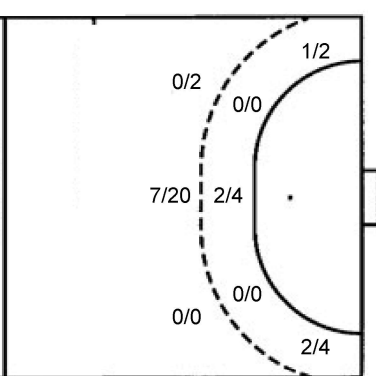
### Shots by position

#### ATTACK



7m penalties 6/6  
Fastbreak 13/16  
Breakthrough 2/4  
Long dist. 1/1

#### DEFENSE



7m penalties 4/4  
Fastbreak 0/0  
Breakthrough 3/9  
Long dist. 1/1

### Shooting statistics

Position	Goals	Sav.	Miss.	Post	Blk.	Total	%
Back (9m)	6	3	1	0	0	10	60
Line (6m)	4	2	0	2	0	8	50
Wing	8	4	0	1	0	13	62
7m penalties	6	0	0	0	0	6	100
Fastbreak	13	2	0	1	0	16	81
Breakthrough	2	1	1	0	0	4	50
<b>Total</b>	<b>39</b>	<b>12</b>	<b>2</b>	<b>4</b>	<b>0</b>	<b>57</b>	<b>68</b>

# Jersey number Tot. Total shooting 6m 6m (line) shooting 9m 9m shooting Wng Wing shooting FB Fastbreak sh. 7m 7m penalty sh.  
Brk. Breakthrough sh. LD Long distance sh. As. Assists PC Pass clear chance E7 Earned 7m pen. TF Technical faults St. Steals  
2m 2m punishments C7. Committed 7m E2 Earned 2m pun. YC. Yellow cards R/B Red/Blue cards Blk. Blocks S Starting Line-up

Handball statistics and livescore by Toma-soft ltd (www.toma-soft.hr)



# 26th IHF Women's World Championship

Denmark • Norway • Sweden

Group H, 2. round



## Match Team Statistics

Match No. 24

## Congo 20 - 40 Netherlands

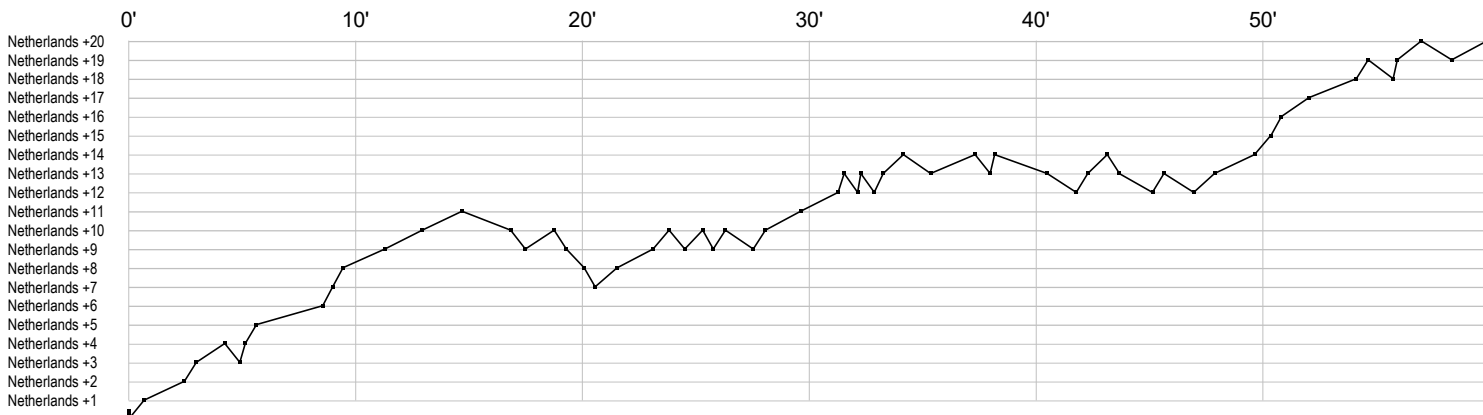
(9 - 20) (11 - 20)

2.12.2023. 18:00

Attendance: 527

Arena Nord

Referees: Maali Alenezi (KUW) / Dalal Alnaseem (KUW)



### Congo

1 Kodia R	r r r r f s s r r r r r r s s r s r r r s r r r r r r s r s r s r r r sr r2
5 Rutil K	p t t b f g f t t g e e f g
6 Divoko	t t a t f t
7 Nguekwian	c c p f g t
10 Hendo M	g e t
11 Mongo	f c2 t gc2 f
12 Apendi	r
13 Zoubabela G	
15 Domingos E	2 f c
20 Ntessi A	r r r r s
23 Ngombele B	f f t f f g g t i f g f t f f t f f
45 Nkou J	f g t f2 g bg f f t
61 Saraiva R	t bg
66 Mambou S	
78 Diagouraga F	2 f f ag g t t f g eg a g g g
99 Jappont K	t t cr

### Netherlands

6 Van Der	f p p f e p p g a g fb f
8 Abbingh L	a g g a ie g f p p cf p g
9 Nüsser L	t gb f a a
12 Van Wetering	g ei g gg g g c g g c
13 Broch Y	2 bp
16 Haggerty T	g c
18 Dulfer K	x b ab bg
20 Smits I	a a p bf b t g x t f
22 Sprengers Z	g g
26 Malestein A	g g ba f f g g f g
30 Duijndam R	r s r r r s s s as r r
31 Vollebregt K	f af g f af g g g
33 Lieder T	s s r s a a s r r r r s r r t r as r r sas sr t r r
44 Van Der Vliet	g g i g e t ei g g e g p f b
48 Housheer D	
79 Polman E	t ba a a g p g a f t a a p

In game	<b>g</b> Goal scored	<b>f</b> Missed shot	<b>a</b> Assist	<b>t</b> Technical faults	<b>b</b> Steal
<b>2</b> 2min suspension	<b>e</b> Eearned 7m	<b>c</b> Committed 7m	<b>y</b> Yellow card	<b>r</b> Red Card	<b>k</b> Blue card
<b>i</b> Eearned 2min.	<b>x</b> Block	<b>4</b> 4min suspension	<b>p</b> Pass for clear chance	<b>s</b> Saved shot	<b>r</b> Received goal